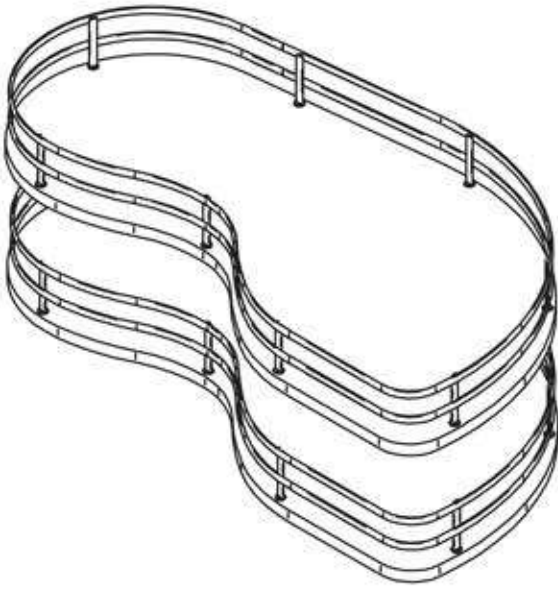


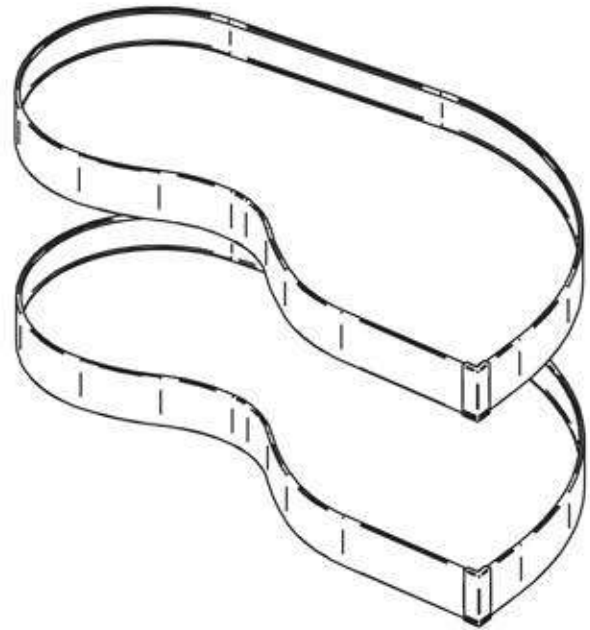
VIBO FLYMOON INSTALLATION INSTRUCTIONS



Fly Moon shelves



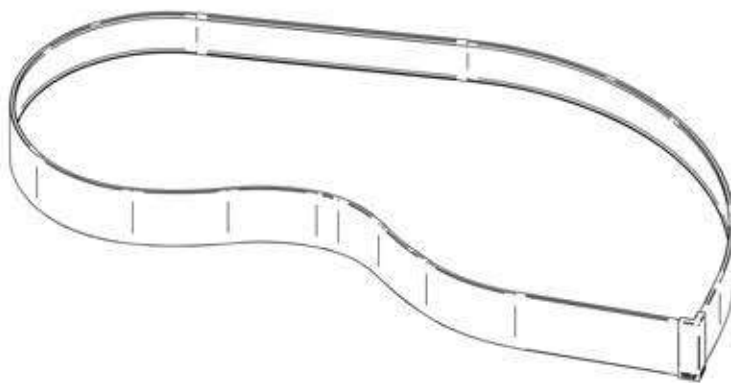
Galaxy Chrome



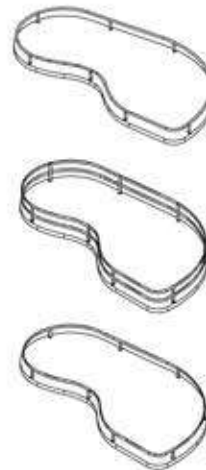
Urban GM



A



x 2

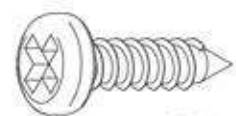


B



x 4

C

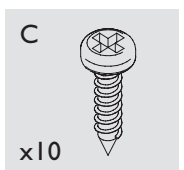
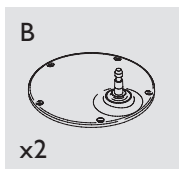
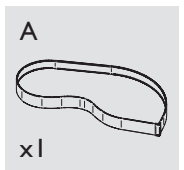
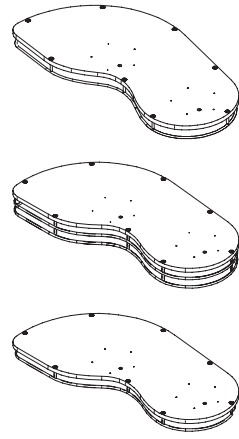
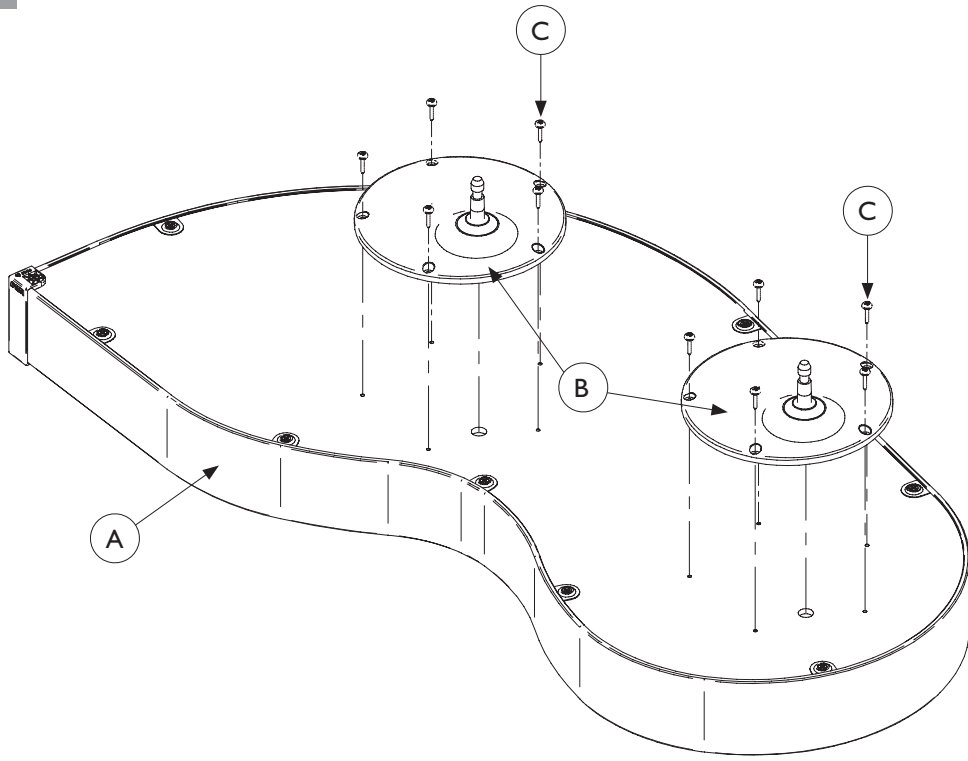


x 20

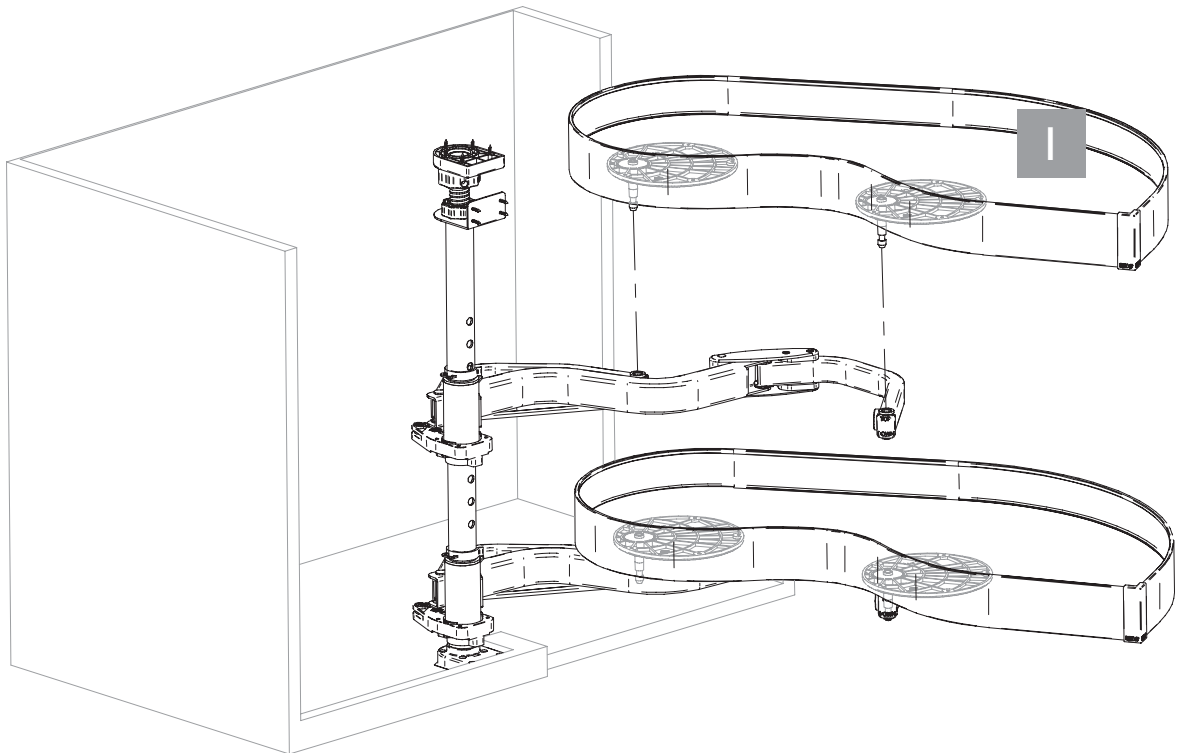
Ø4X16

WARNING! Read the instructions carefully before assembly and follow each step indicated.

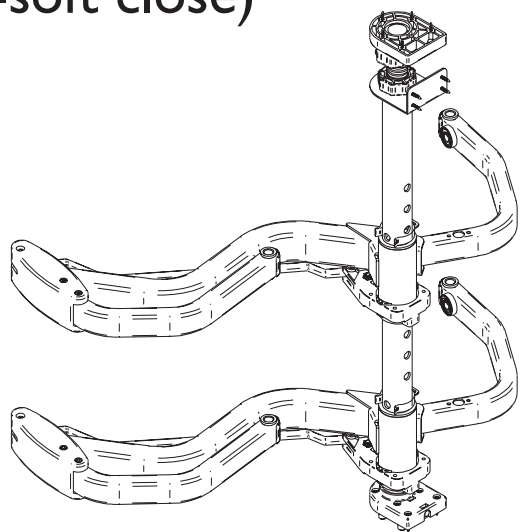
1 x2



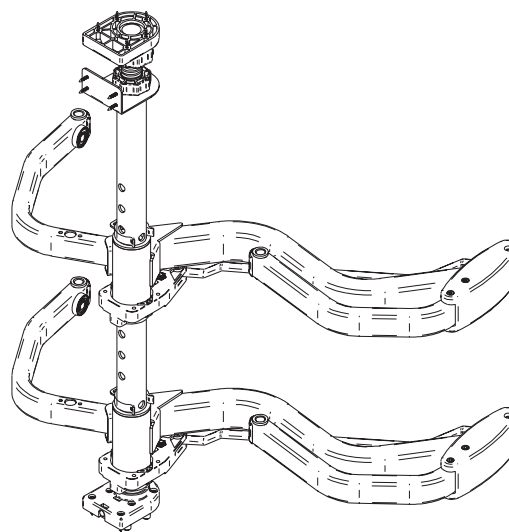
2



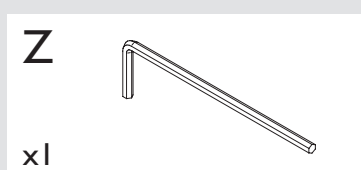
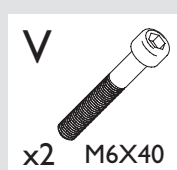
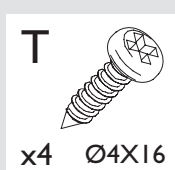
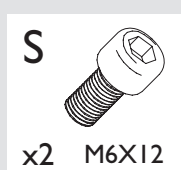
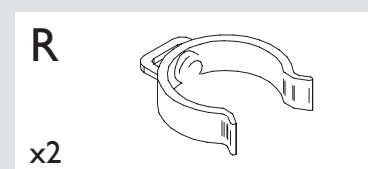
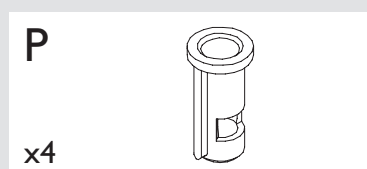
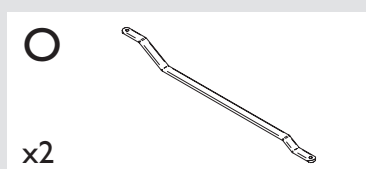
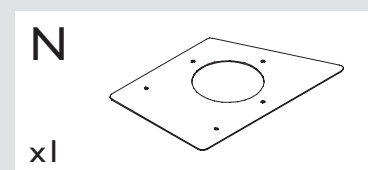
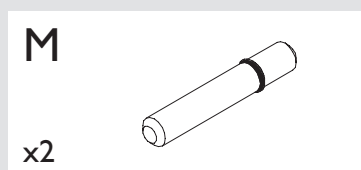
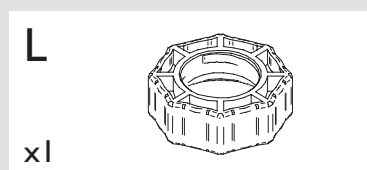
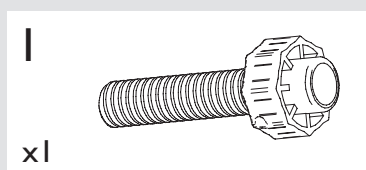
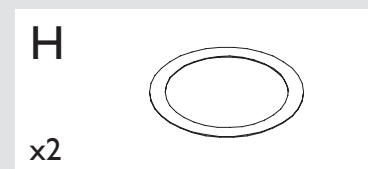
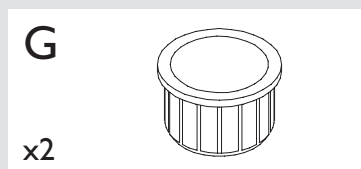
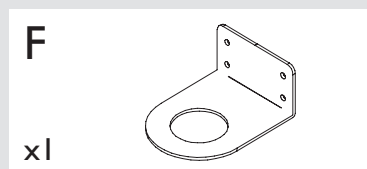
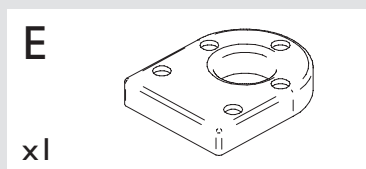
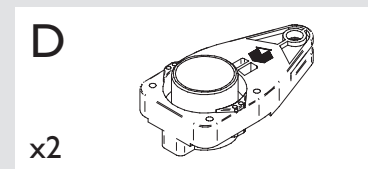
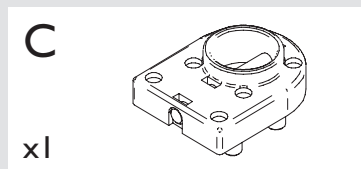
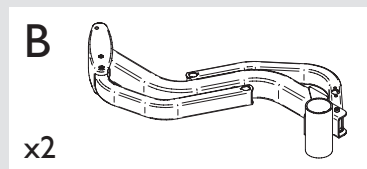
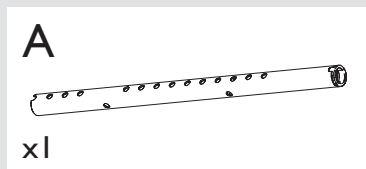
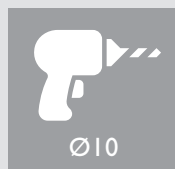
Fly Moon base (Non-soft close)



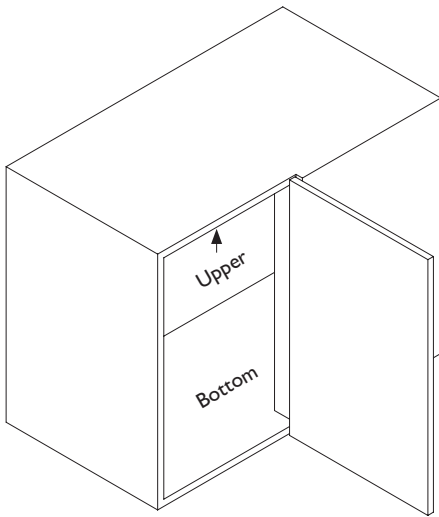
Left hand version



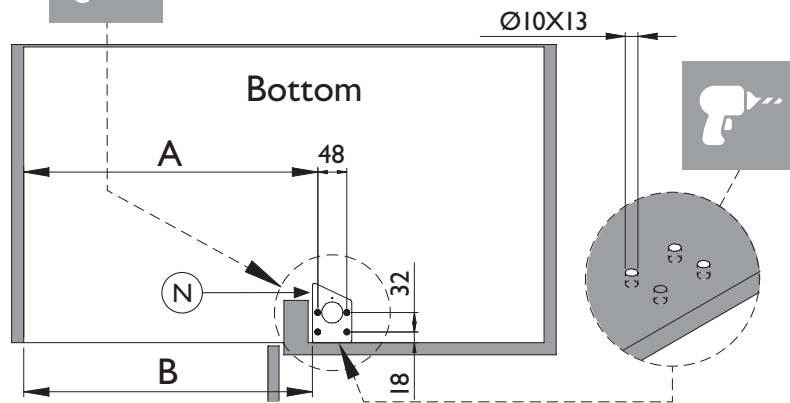
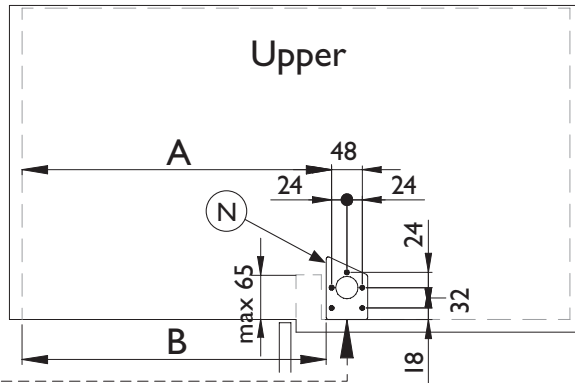
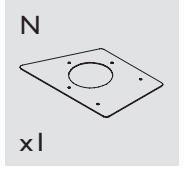
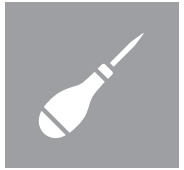
Right hand version



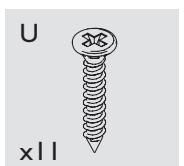
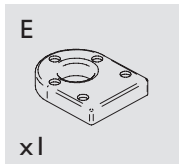
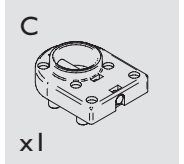
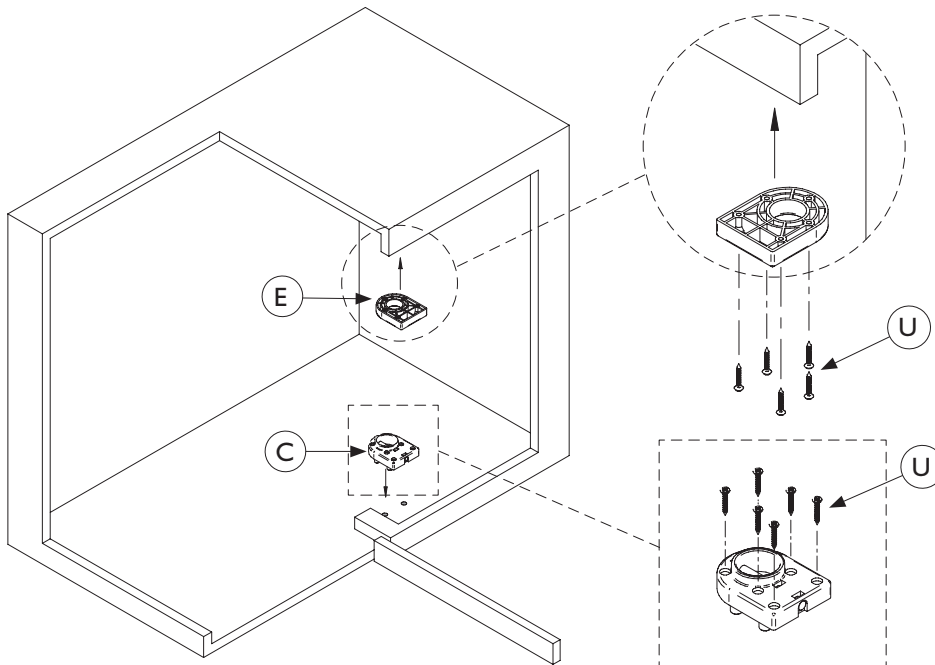
I Left version



DOOR	A	B
40	436	427.5
45	486	477.5
60	636	627.5

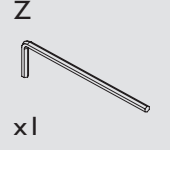
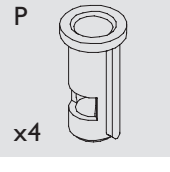
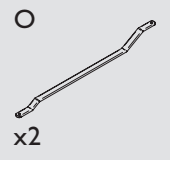
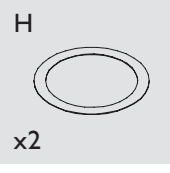
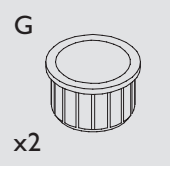
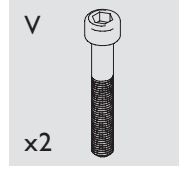
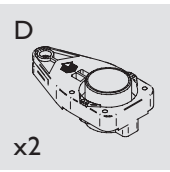
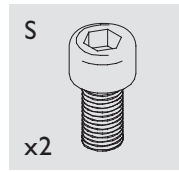
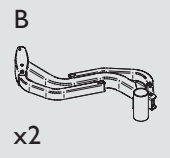
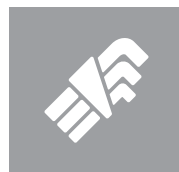
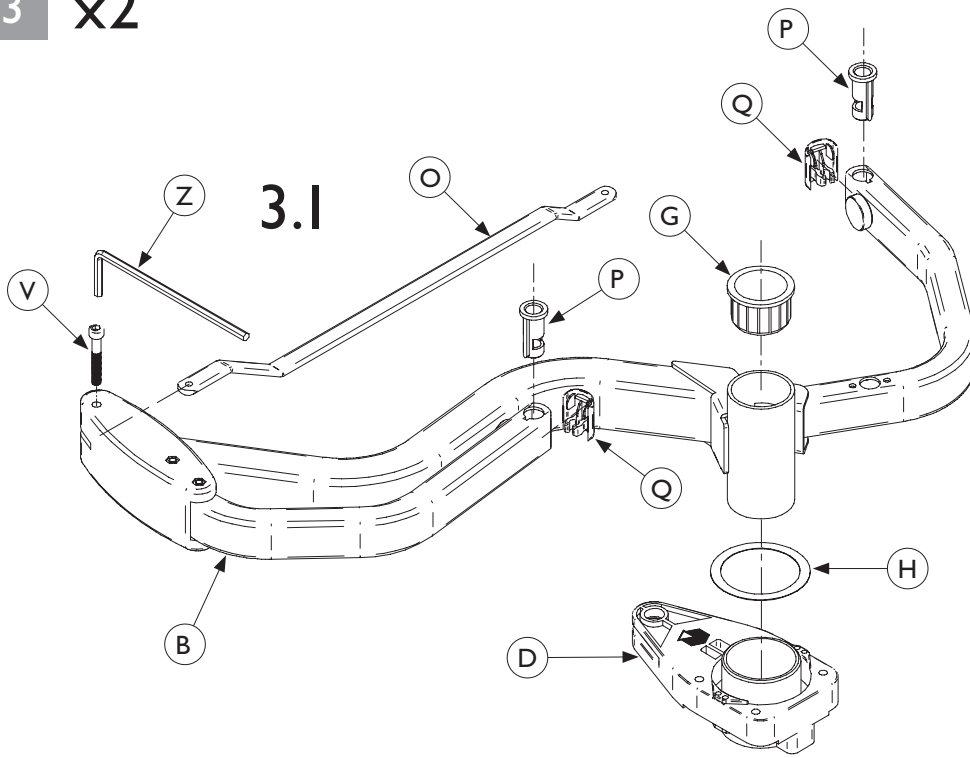


2

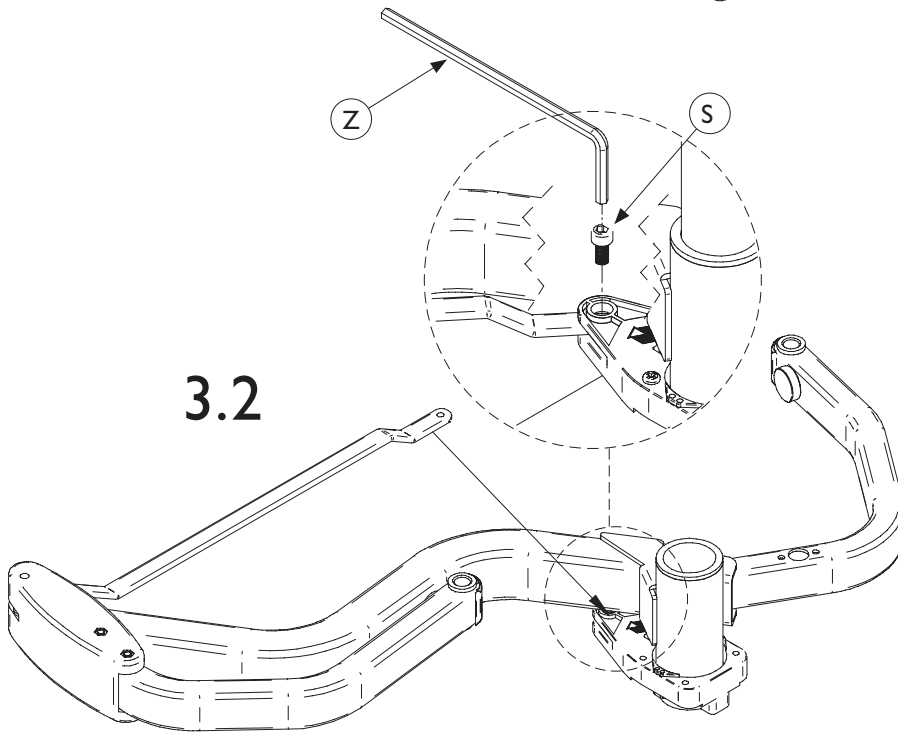


Left hand version

3 x2

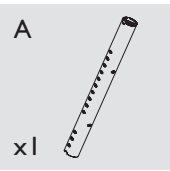
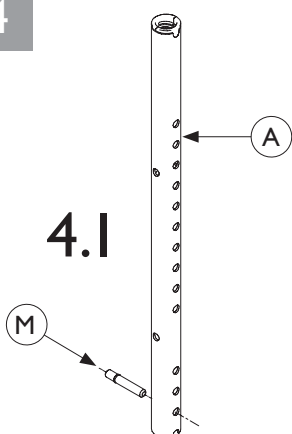


3.2

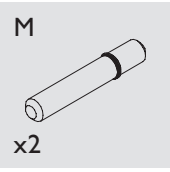
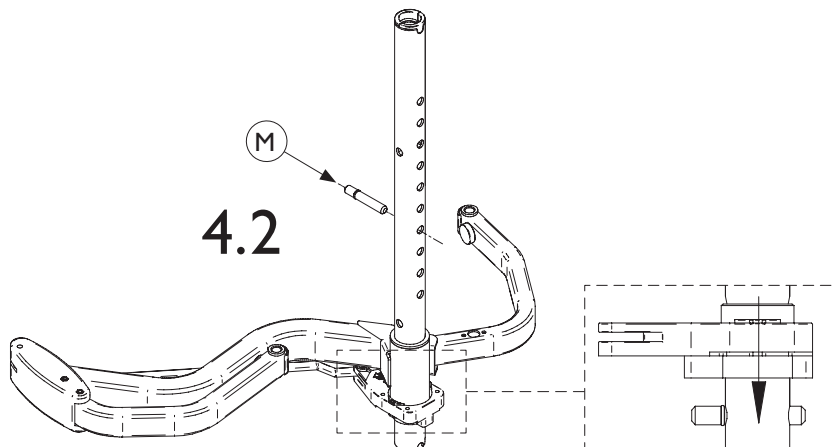


Left hand version

4



4.2



Left hand version

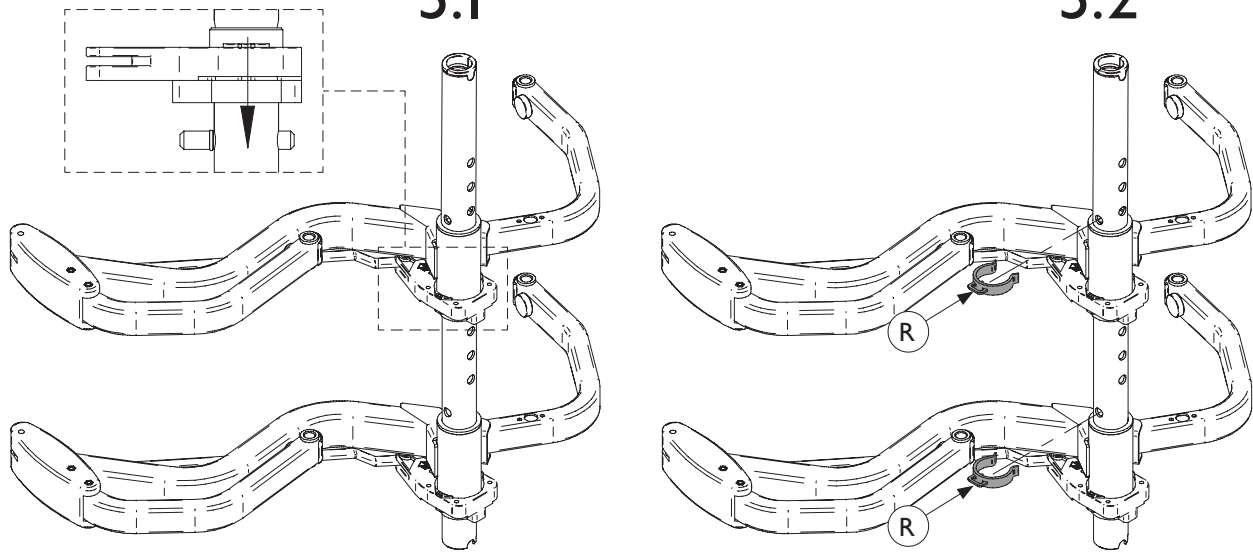
5

5.1

5.2

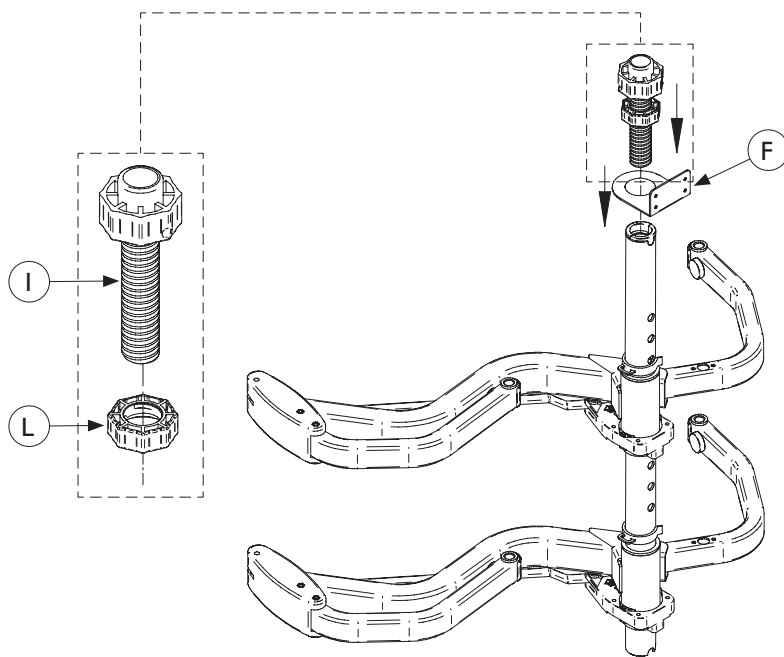
R

x2



Left hand version

6



F

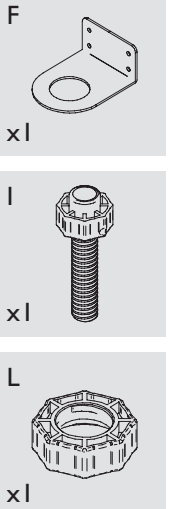
x1

I

x1

L

x1



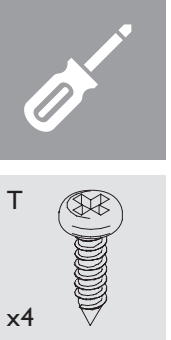
Left hand version

7

7.1

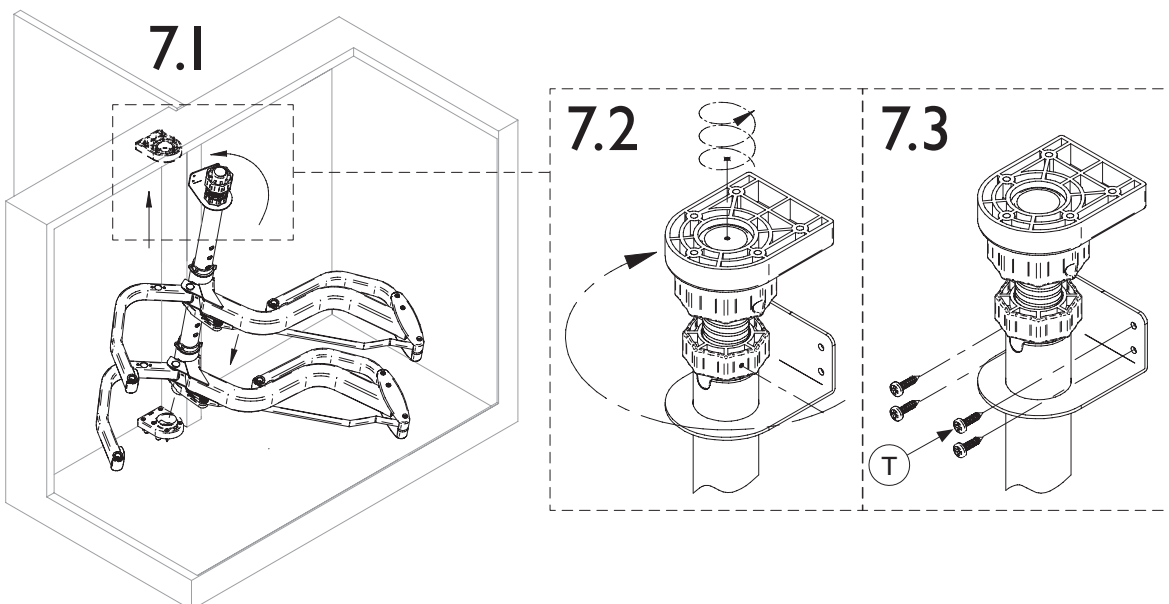
7.2

7.3



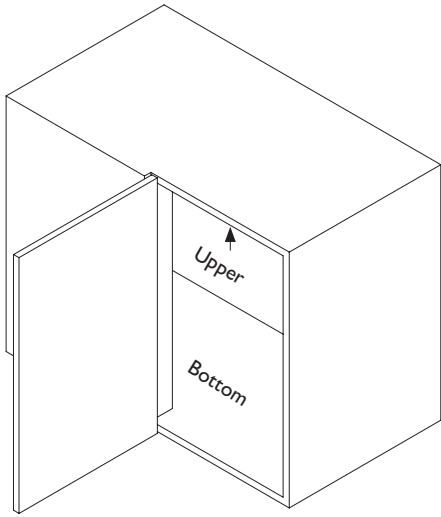
T

x4

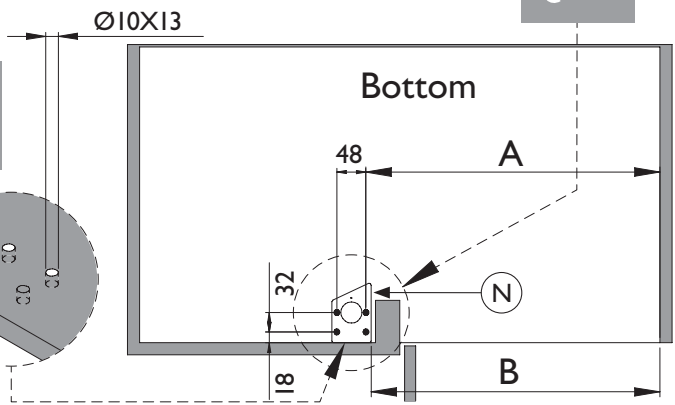
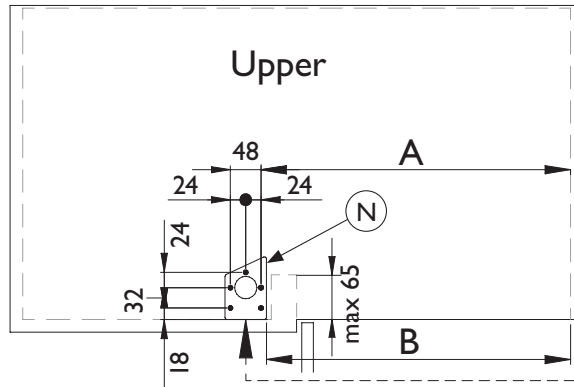
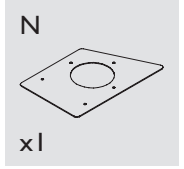
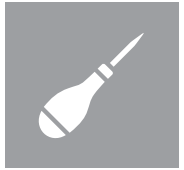


Left hand version

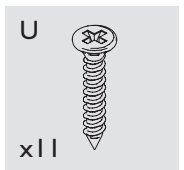
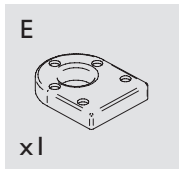
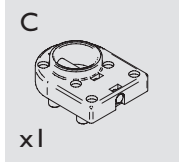
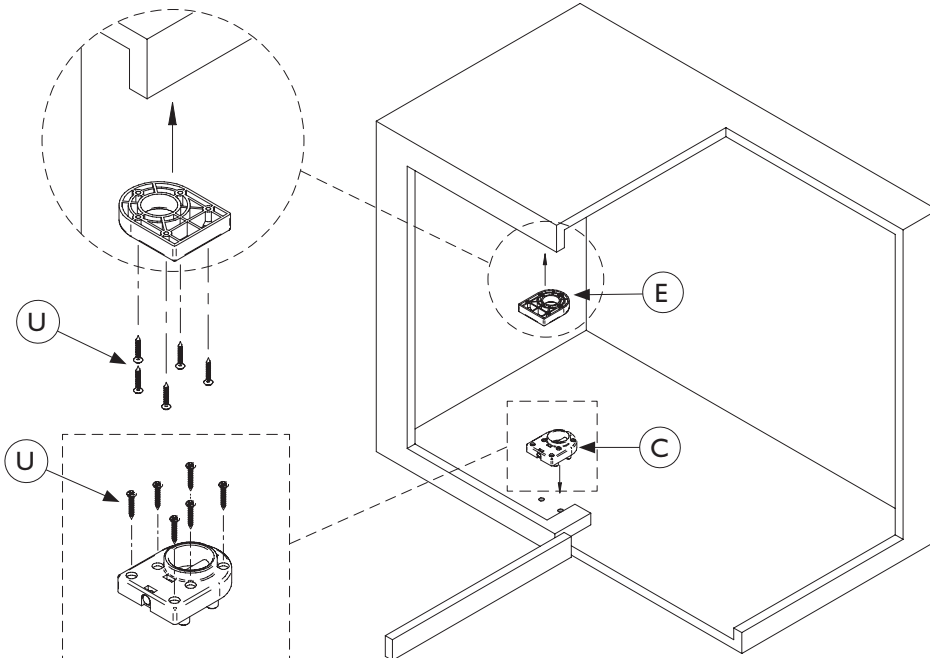
I Right hand version



DOOR	A	B
40	436	427,5
45	486	477,5
60	636	627,5

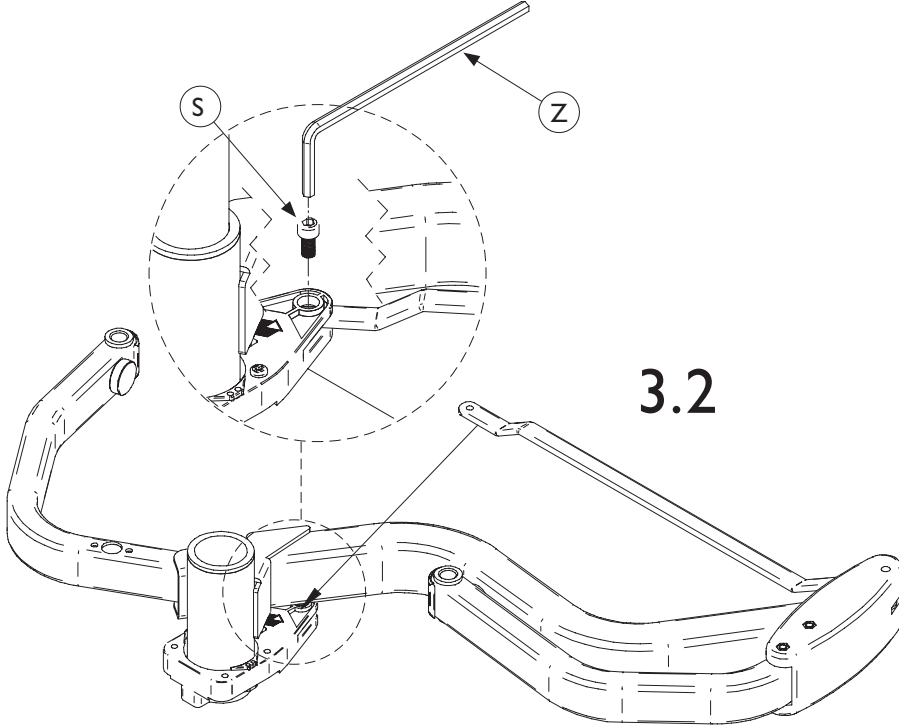
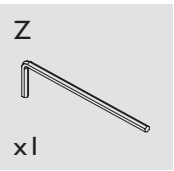
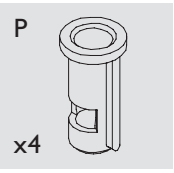
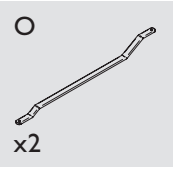
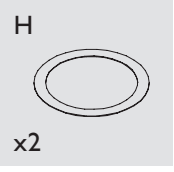
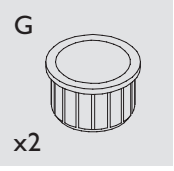
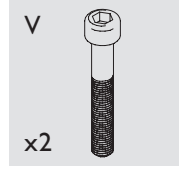
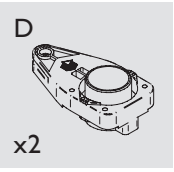
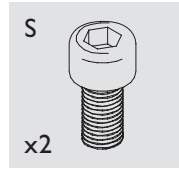
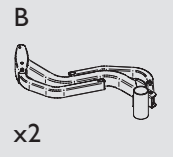
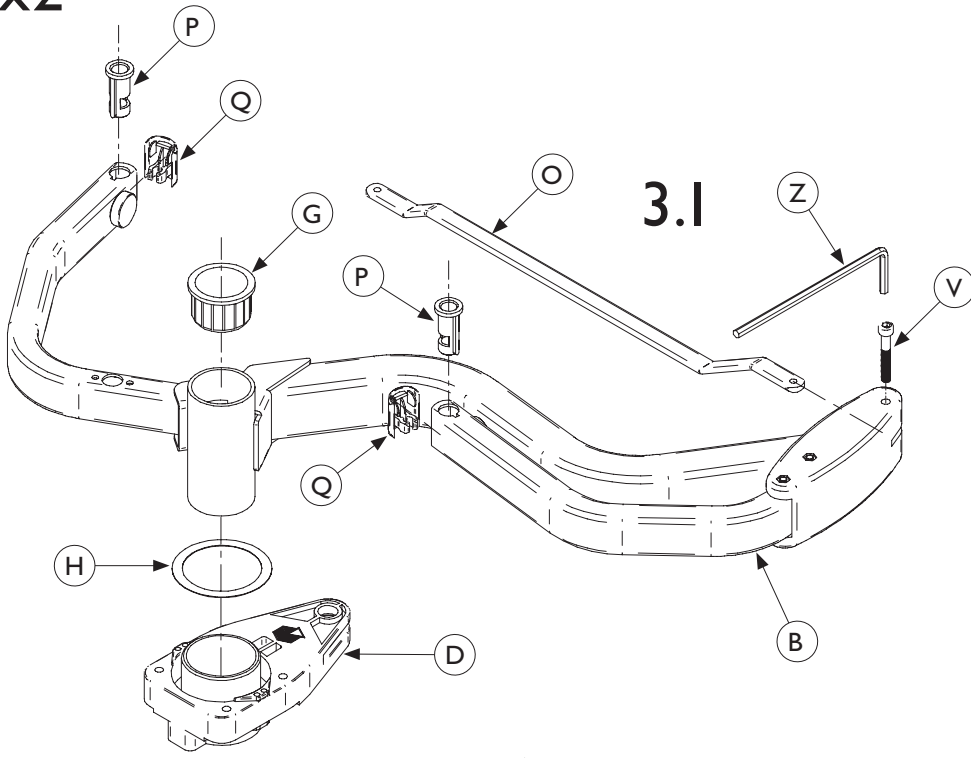


2



Right hand version

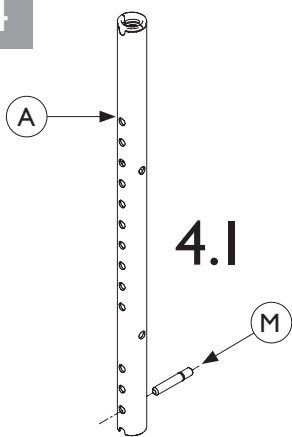
3 x2



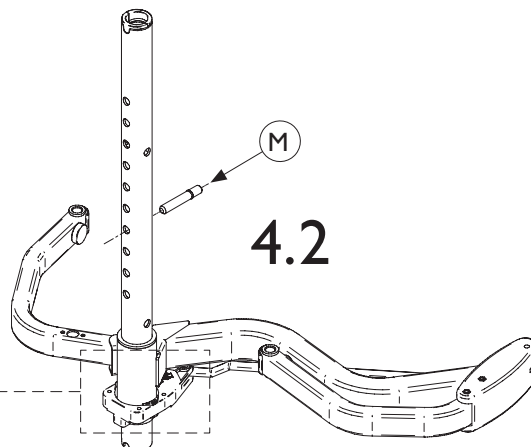
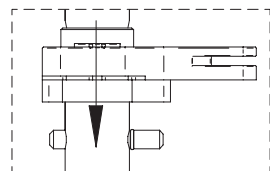
3.2

Right hand version

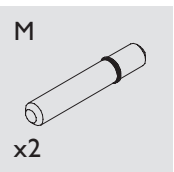
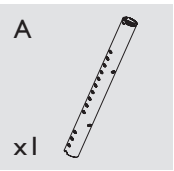
4



4.1



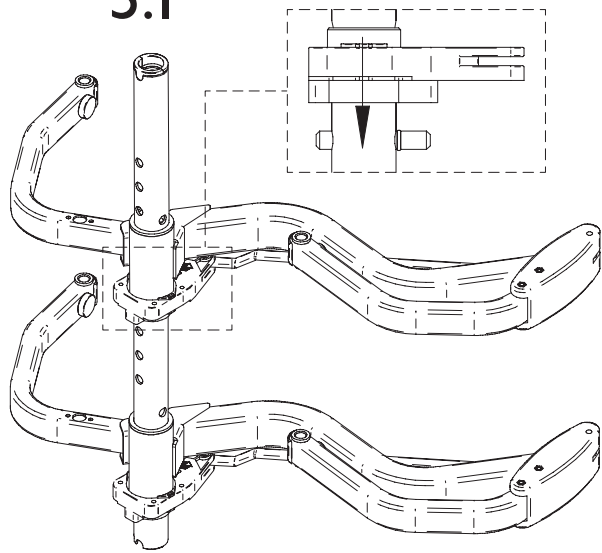
4.2



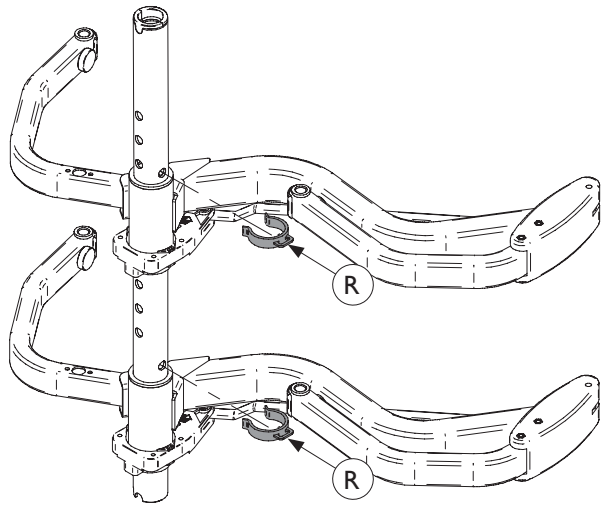
Right hand version

5

5.1



5.2



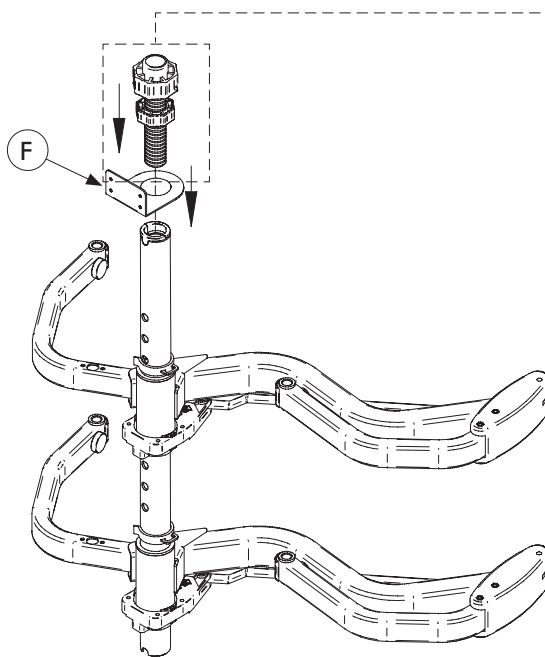
R



x2

Right hand version

6

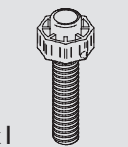


F



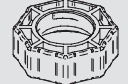
x1

I



x1

L

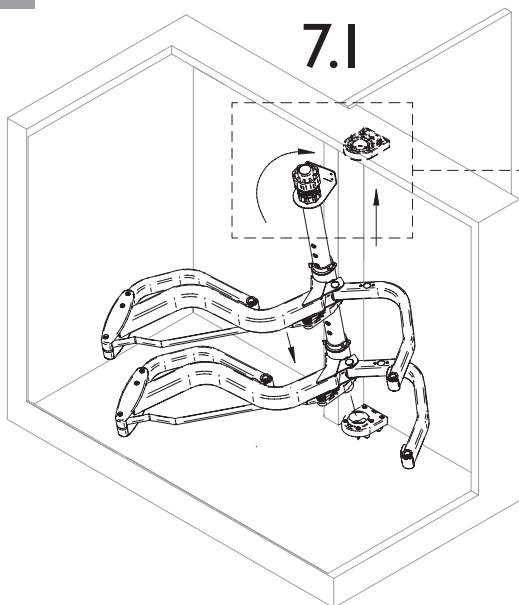


x1

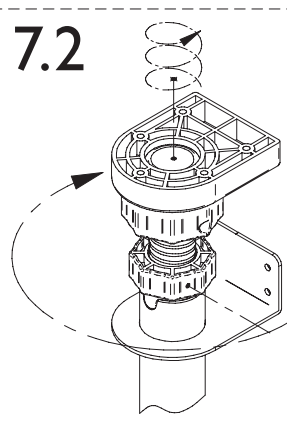
Right hand version

7

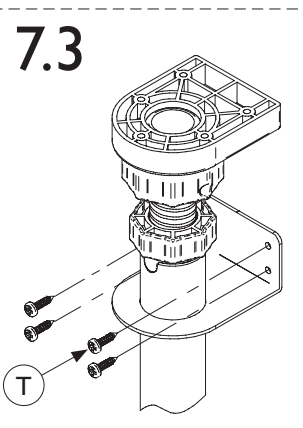
7.1



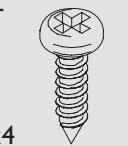
7.2



7.3

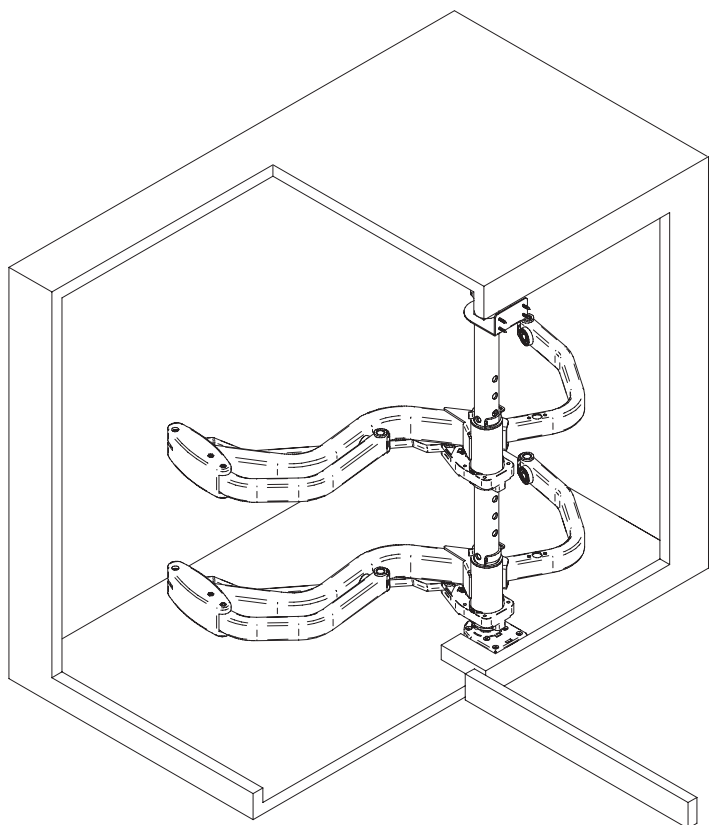


T

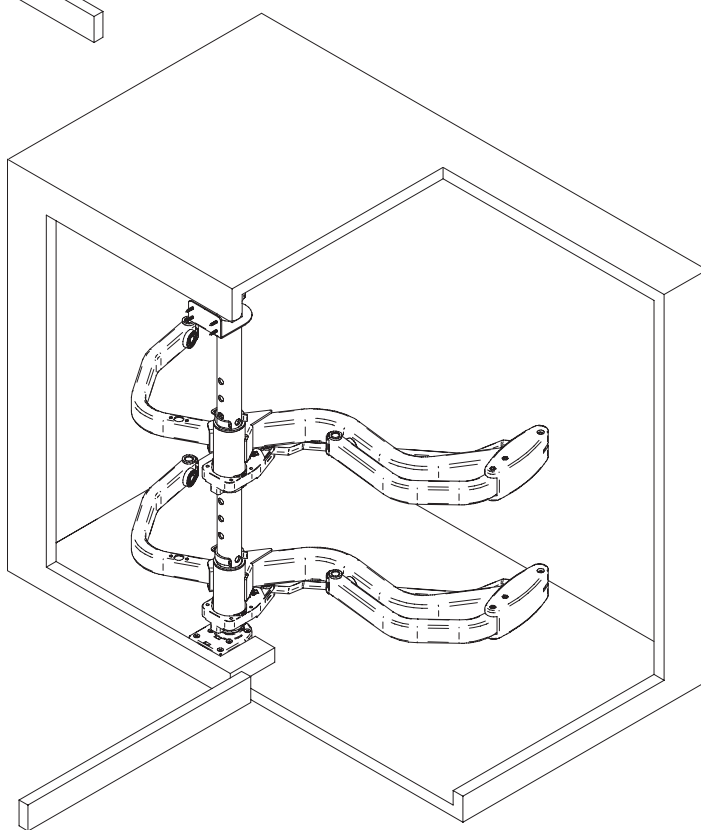


x4

Right hand version

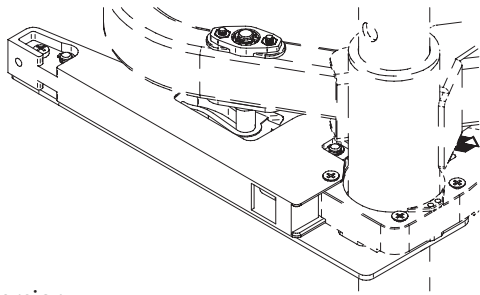
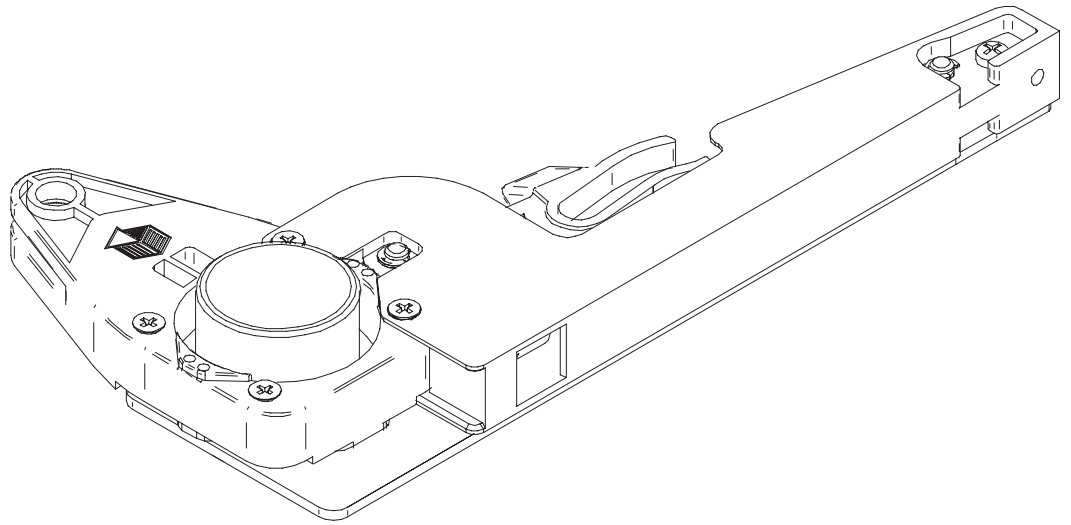


Left hand version

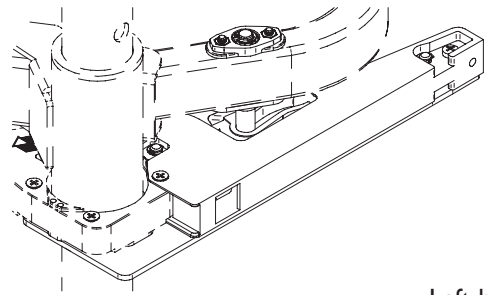


Right hand version

Soft-close kit



Right hand version



Left hand version



10 min

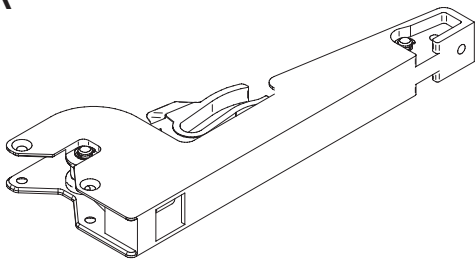


x 1



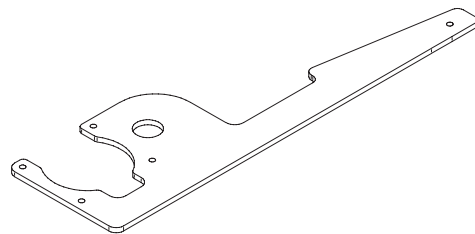
+

A



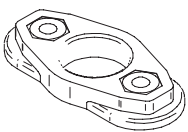
x 2

D



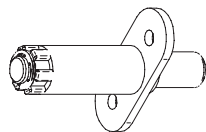
x 2

B



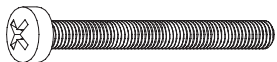
x 2

C



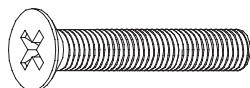
x 2

E



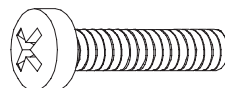
x 4

F



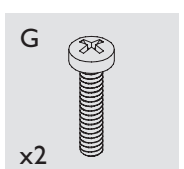
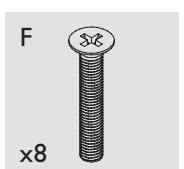
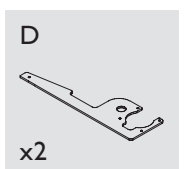
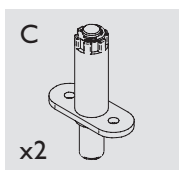
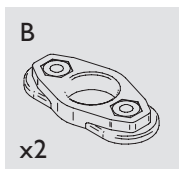
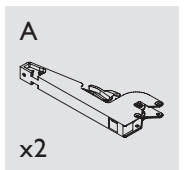
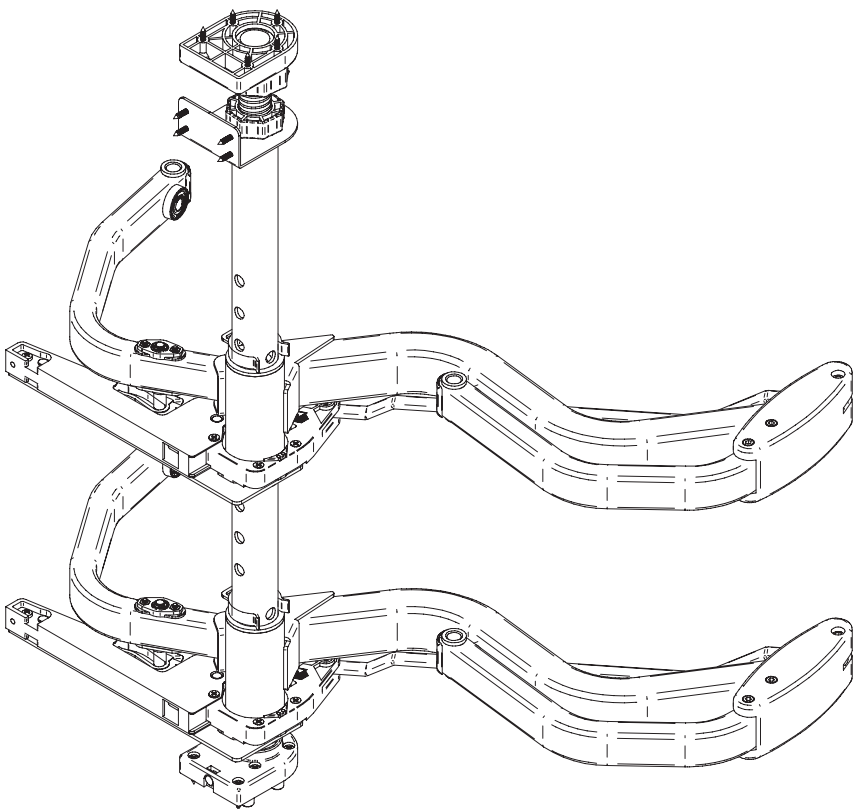
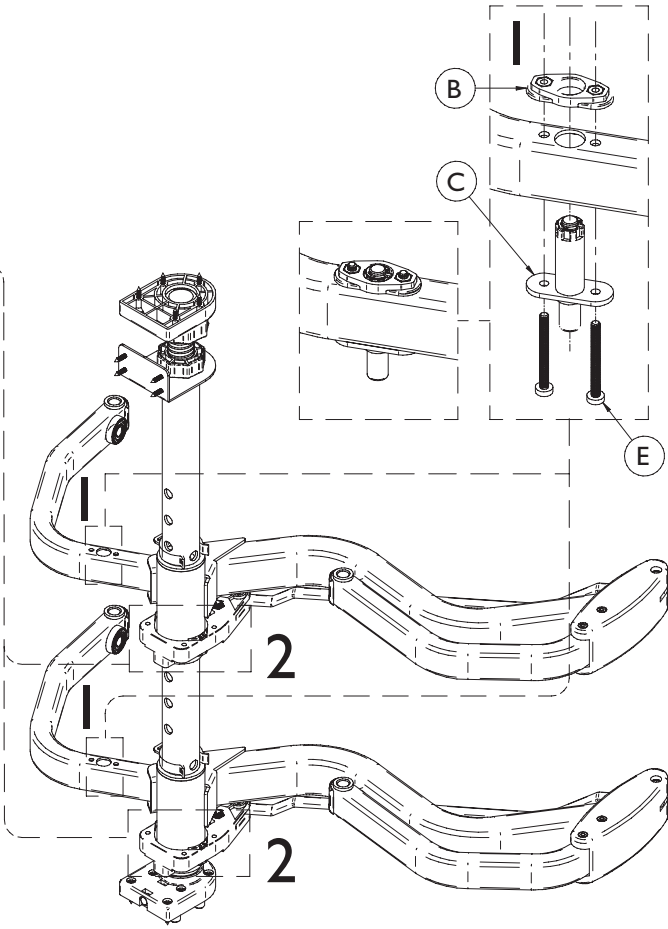
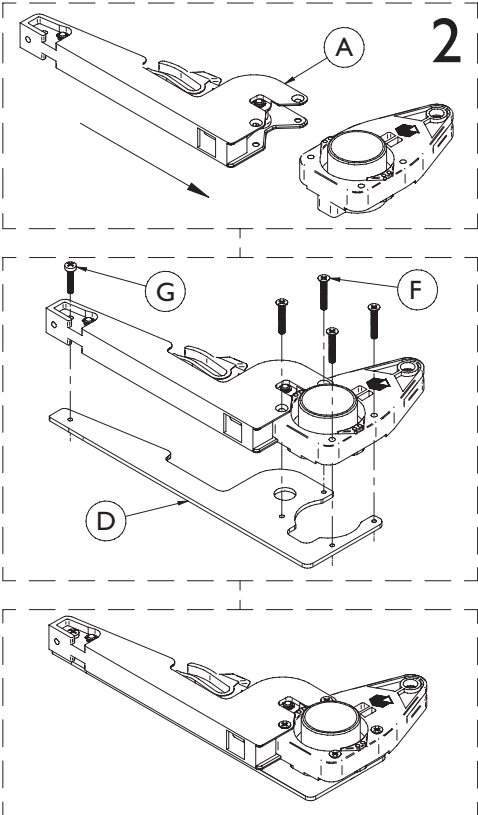
x 8

G

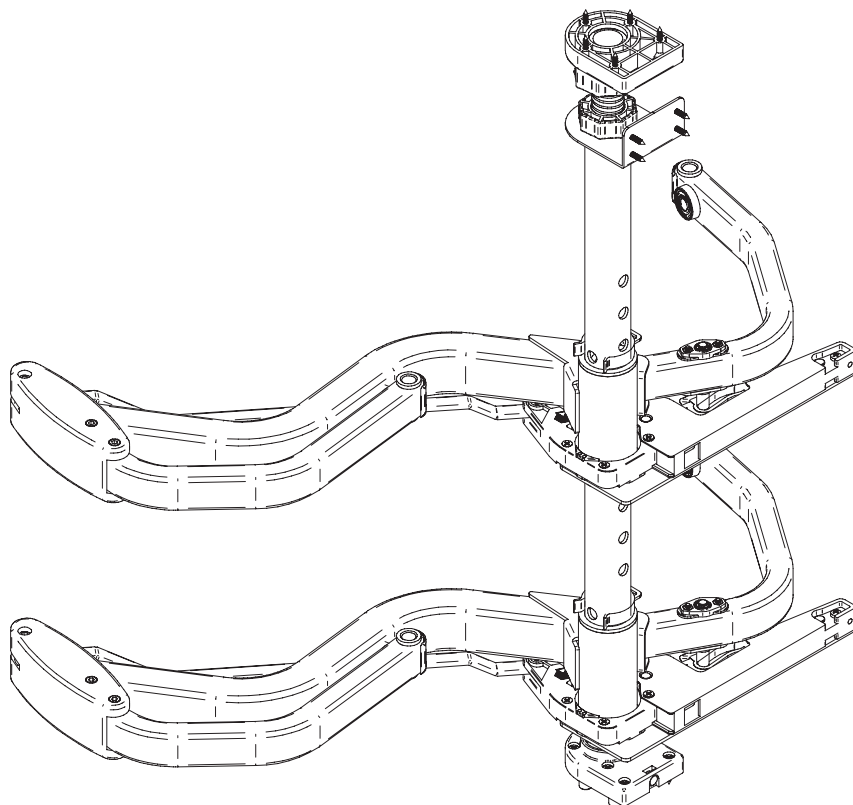
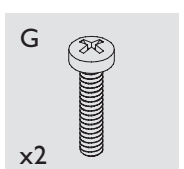
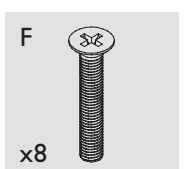
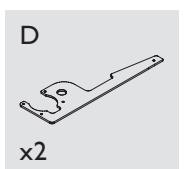
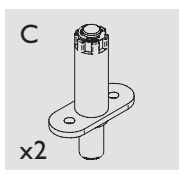
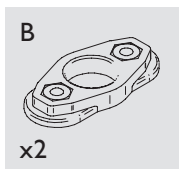
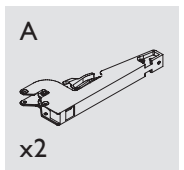
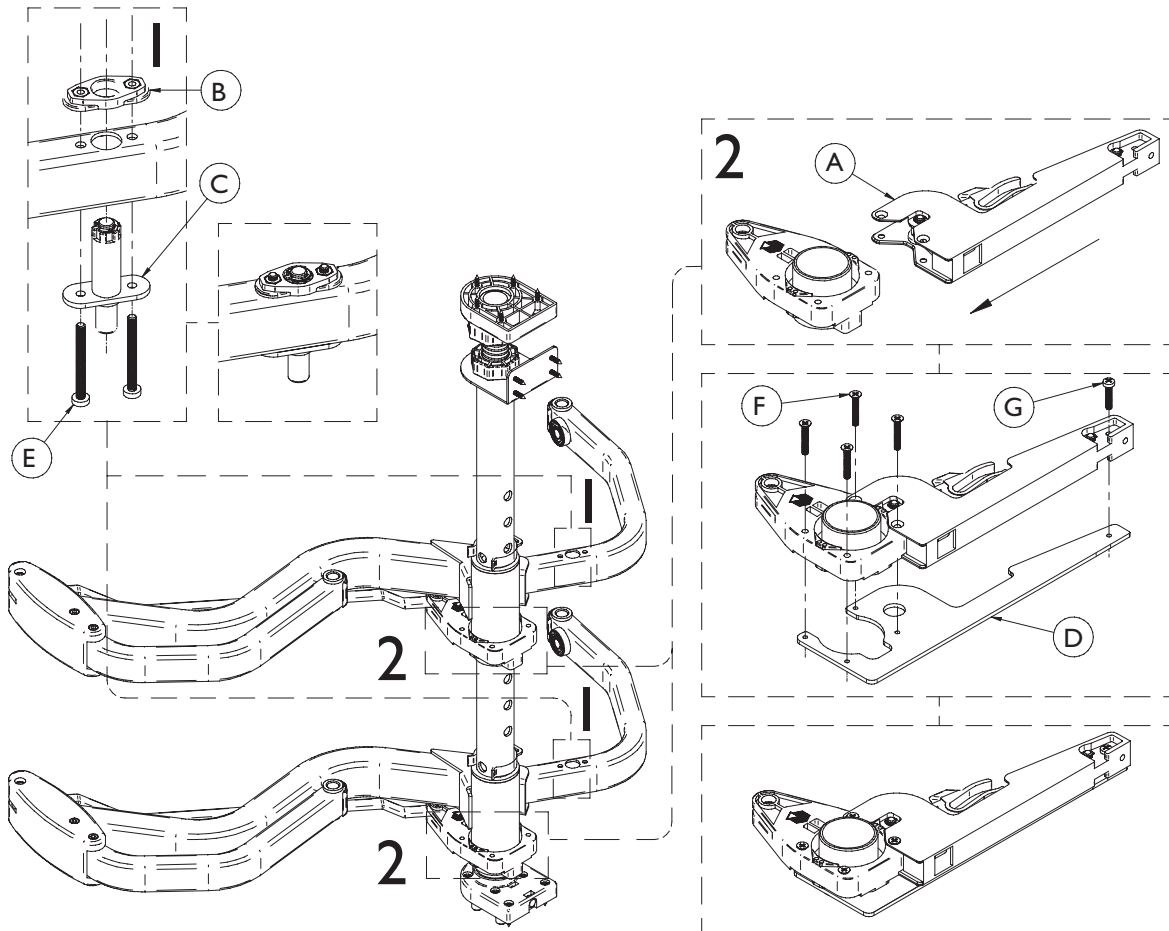


x 2

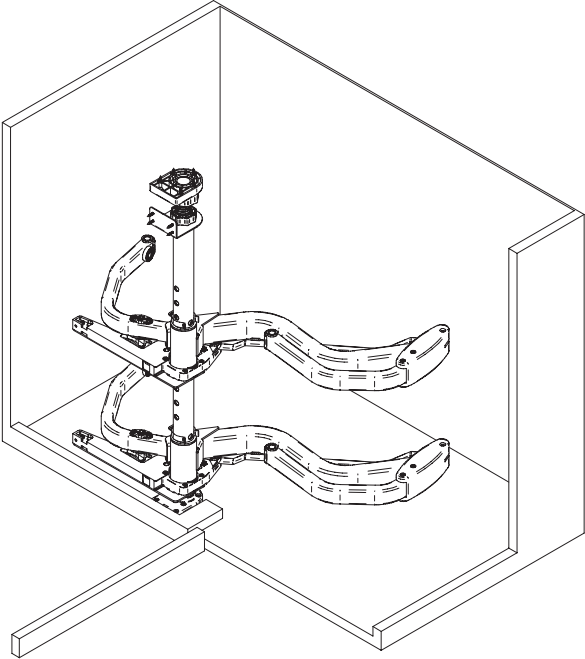
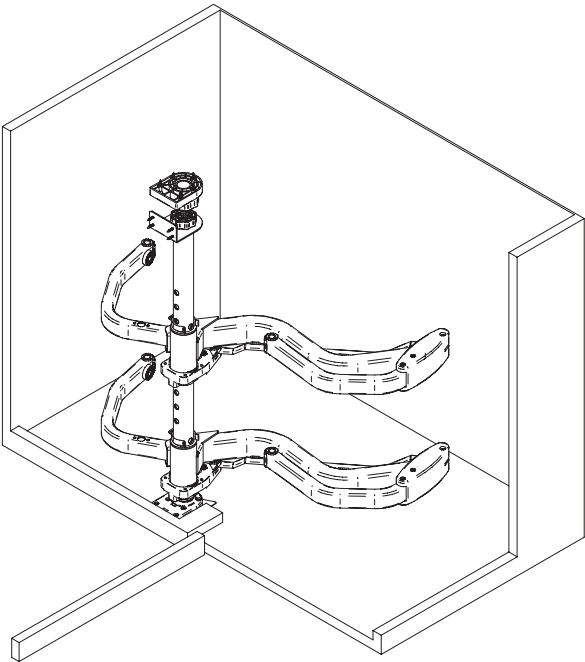
Right hand version



Left hand version



Right hand version



Left hand version

