

# Sizes choice



Name : magic collector 600/700/800/900 cabinet

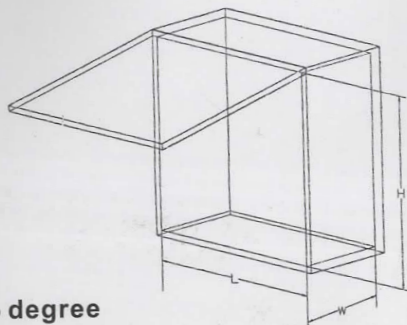
<—> Cabinet size: 16mm ≤ Side board thickness ≤ 18mm

## 1. Lift up door

W: Min.net depth 270mm

H: Min.net height 560mm

- L: 600 cabinet (564~568mm)
- 700 cabinet (664~668mm)
- 800 cabinet (764~768mm)
- 900 cabinet (864~868mm)



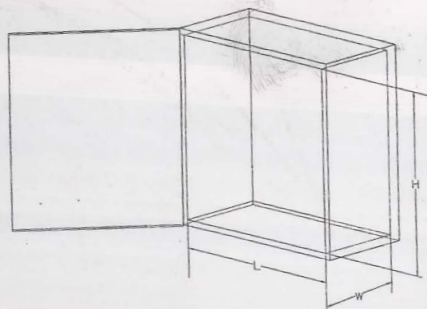
Door open angle must more than 45 degree  
Space of under cabinet must more than 350mm

## 2. Turn open door

W : Min.net depth 280

H : Min.net height 560

- L:600 cabinet (564~568mm)
- 700 cabinet (664~668mm)
- 800 cabinet (764~768mm)
- 900 cabinet (864~868mm)



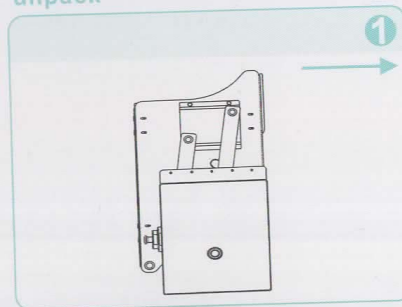
Space of under cabinet must more than 350mm

Attention:take care hinges size if the net depth of cabinet around 280mm.

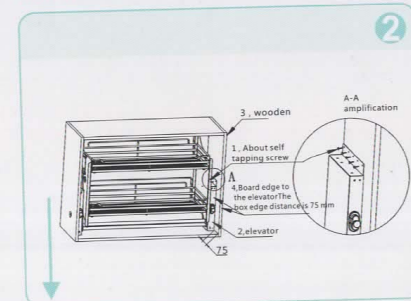
# Install step:



## Step1: unpack

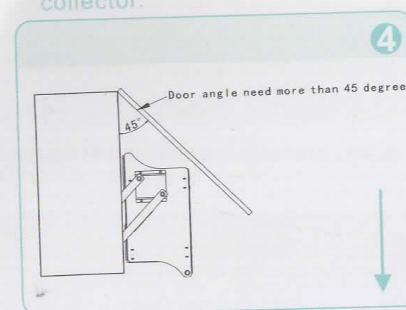


## Step2: Mark the 10 holes of screw

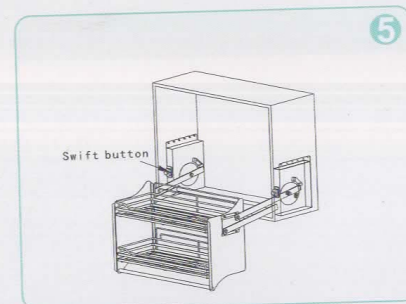
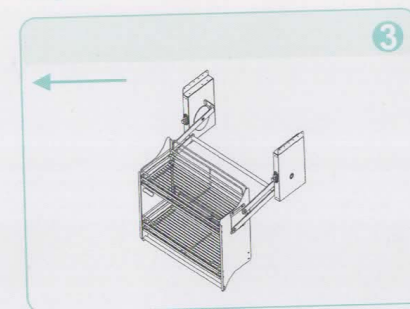


## Step4:

1. Screw the five holes in the middle of the first one Tighten, then tighten the rest four holes;
2. Fix cabinet door after fix magic collector.



## Step3: Aligned in the cabinet at both ends



## Step5:

1. Check working situation at first. Tie all screw.
2. Finish, use happy.