

Instruction Manual Of Upper Cabinet Lift

⚠ Matters needing attention

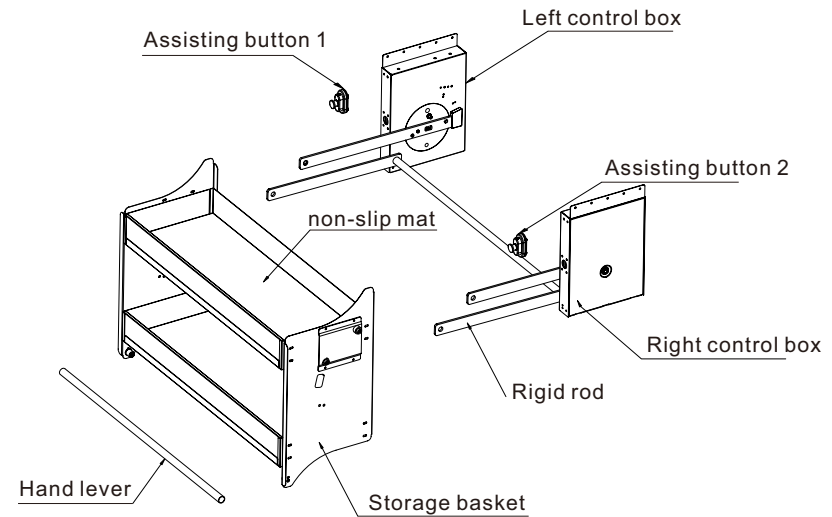
Note: in order to avoid accidents, the installation work should be completed by professional installation personnel.

1. If you need to adjust gear, be sure that the storage rack is located in the initial position (that is, status of not pulling out in the cabinet).
2. If there is little or no load on the storage rack, it is not allowed to choose higher gear, otherwise the storage rack will rebound upward and cause impact upon return, which may damage the lifting basket and the objects contained therein.
3. In the case of the loaded storage rack, the corresponding gear must be pressed; otherwise, the storage rack will cause impact when it drops, which may damage the lifting basket and the objects contained therein, and even cause the operator to be injured.
4. Do not exceed the specified loading capacity of the storage rack; otherwise it will cause damage to the lifting basket.
5. Adaptable cabinet body :
 - 600 : net width 564-568mm, net depth $\geq 560\text{MM}$, net height $\geq 285\text{MM}$
 - 700 : net width 664-668mm, net depth $\geq 560\text{MM}$, net height $\geq 285\text{MM}$
 - 800 : net width 764-768mm, net depth $\geq 560\text{MM}$, net height $\geq 285\text{MM}$
 - 900 : net width 864-868mm, net depth $\geq 560\text{MM}$, net height $\geq 285\text{MM}$
6. Maximum load weight of basket: 25kg
7. Structure of upturn door:
 - The upturn angle of the cabinet door must be greater than 45
 - The distance between the bottom of cabinet and the down obstacles $\geq 350\text{mm}$
8. Structure of flat door
 - The distance between the bottom of cabinet and down obstacles: $\geq 350\text{mm}$
 - Note: when installing flat door, if the net depth of cabinet is close to 280mm, please pay attention to the size and specification of door hinge

ⓘ Packing list

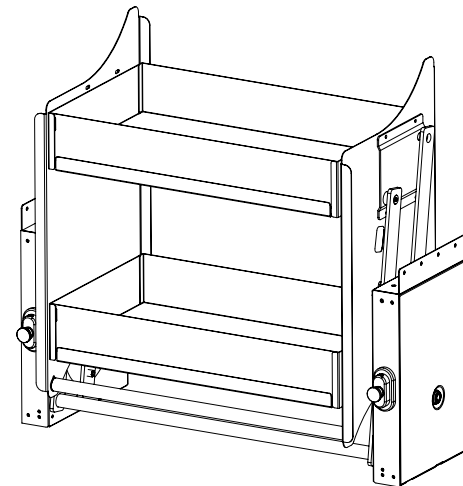
NO.	Name	Quantity
1	Basket	1SET
2	Accessories bag	1bag(Self-tapping screw 10pcs)
3	non-slip mat	2PCS
4	Instruction manual	1PCS

ⓘ Main structure of the product

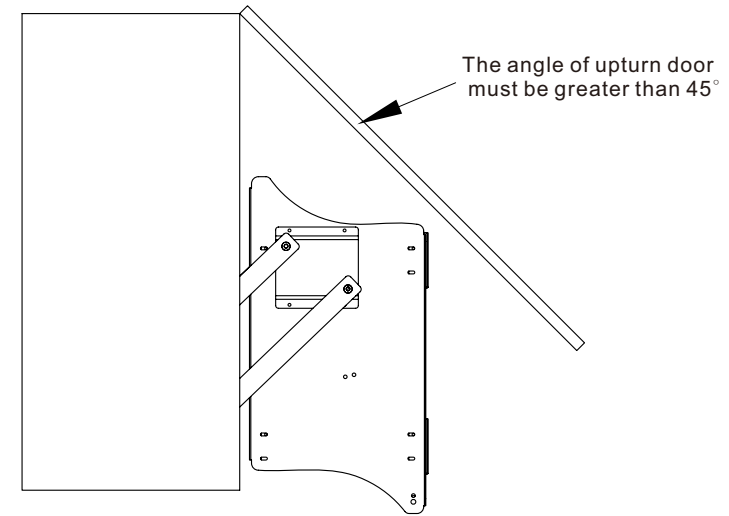
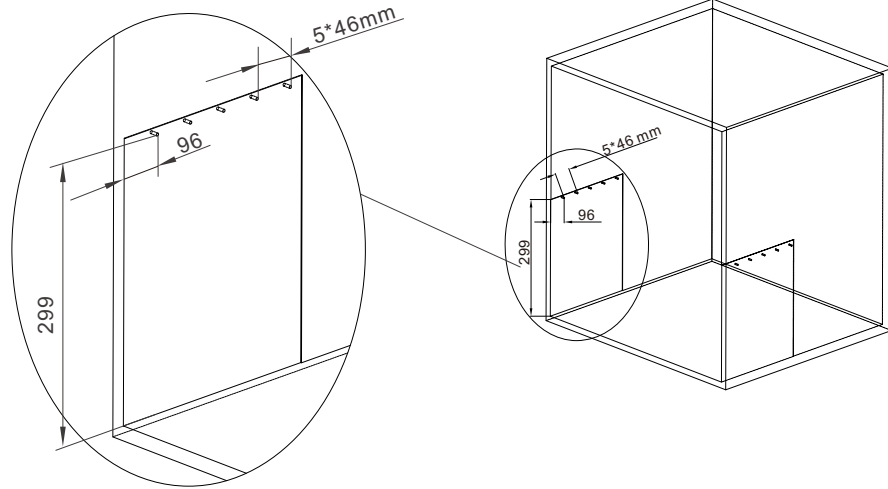


⚠ Installation

1. Check the product:
 - 1.0, Unpacking
 - 1.1, Check whether the product is in good condition and complete;

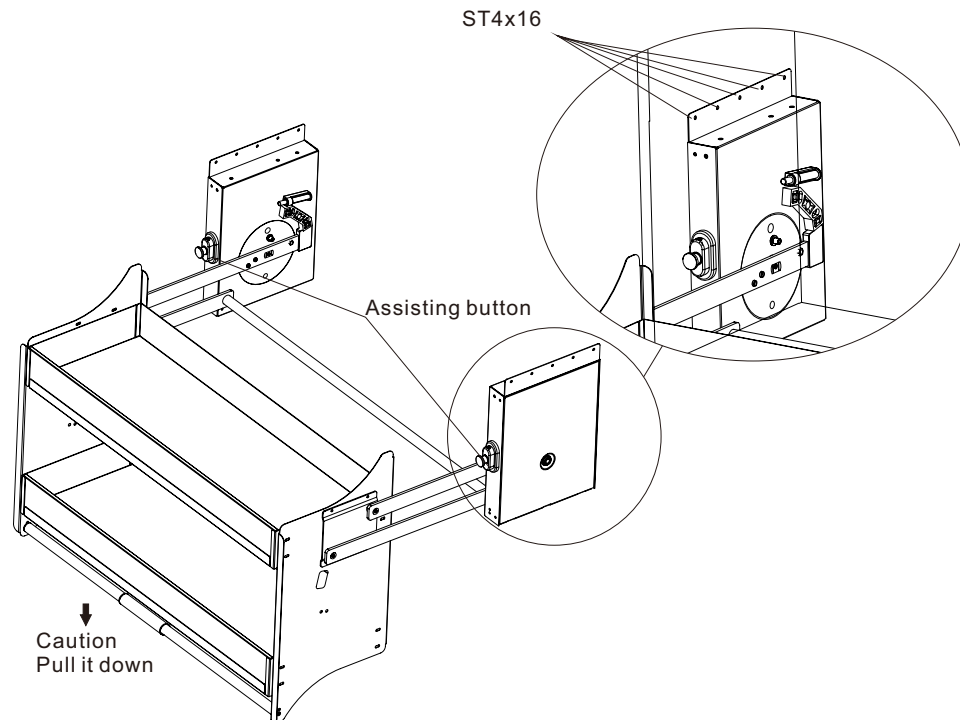


2.1. Draw the holes Draw 10 holes with a diameter of 5mm according to the template



3.1. Pull out the left and right assisting outtons and pull down the basket

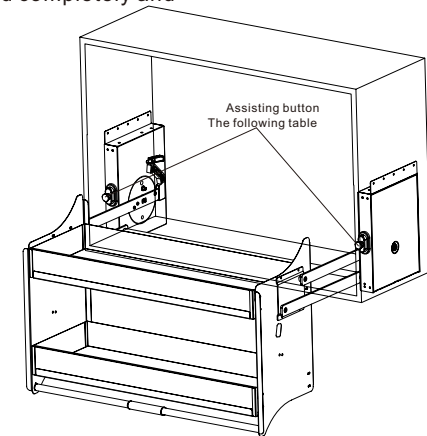
3.2. The device must be placed in the cabinet, aligned with the position of pre-drawn hole, one of the five holes is tightened with a screw, and the remaining four holes are then tightened,



4. Complete

4.1. First push and pull storage device under gear 0, and then increase gear step by step, check installation screws are loose or not, if loose, they need to be strengthened;

4.2. By now, the product has been installed completely and can be used normally



Status Device 600/700 as follows			Status Device 800/900 as follows		
Gear	Status of assisting button	Status of assisting button	Gear	Status of assisting button	Status of assisting button
0	Pull out the left and right buttons	0~1KG	0	Pull out the left and right buttons	0~1KG
1	Press the left button and pull out the right button	1~4KG	1	Press the left button and pull out the right button	1~5KG
2	Pull out the left button and press the right button	3~6KG	2	Pull out the left button and press the right button	5~7KG
3	Press the left and right buttons	5~10KG	3	Press the left and right buttons	6~12KG

During the operation, the assisting button can be operated at one higher gear comparing to the actual weight of objects. For example, you can choose gear 1 for a load of 0-1 Kg, and the like.