

ONE TOUCH PUSH OPENING SYSTEM

OT MINI User Manual

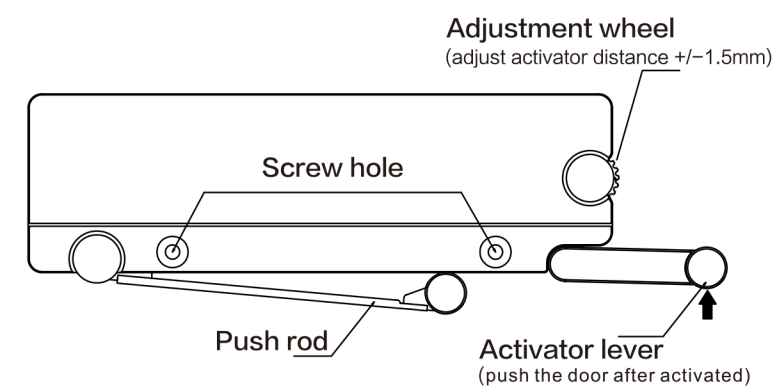
01 Accessories list

Accessory Name	Sketch	Quantity
OT mini Main part		1
Wooden screw M4x20		2
screw cover		2



02 Main part introduction

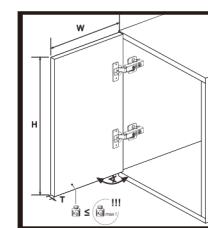
- Please install and use the product in a standard manner, and do not aim at the face when triggered to avoid safety accidents;
- Do not disassemble the product at will to avoid safety accidents caused by internal parts popping up.
- The product model is selected according to the number of hinge and door size.
(Light and heavy version)



03

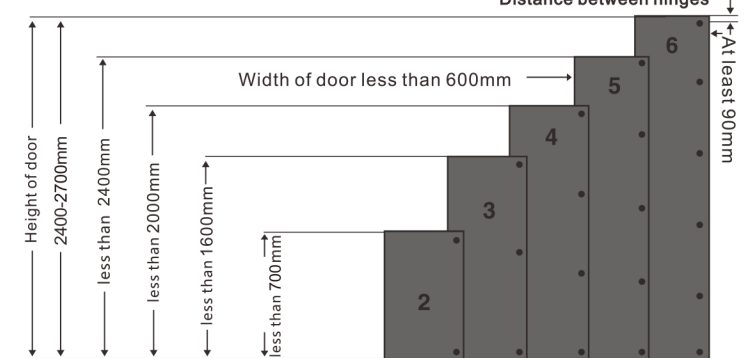
OTmini—one touch push opening and soft closing doorsystem adopted door size.

	Light version	Heavy version
G_{max}	≤ 10 Kg	≤ 25 Kg
H	≤ 1200mm	≤ 2700mm
W	≤ 600mm	≤ 600mm
α	≤ 110°	



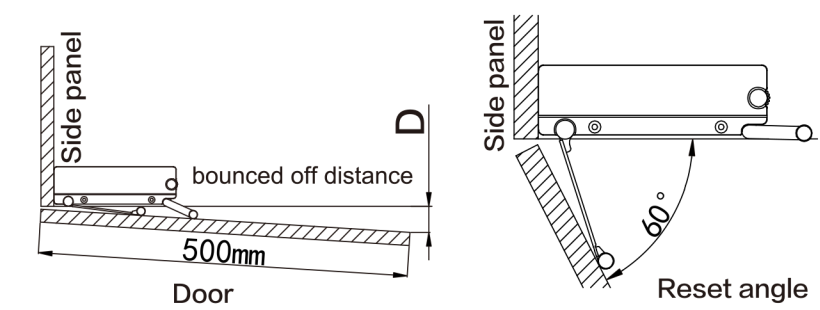
The quantity of soft close hinges for the door.

The quantity of hinges depends on the width, the height and the weight of door. Please take the drawing to the right for reference. Distance between hinges



04 Bounced off distance reference table

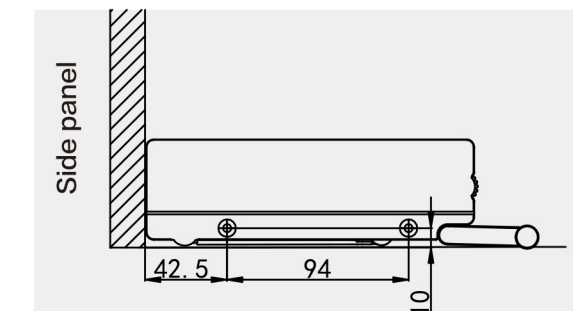
Door wige (W) mm	Bounced off distance (D) mm	
	Min.data	Max.data
350	30	35
400	34	40
450	38	44
500	41	49
550	45	53
600	49	57



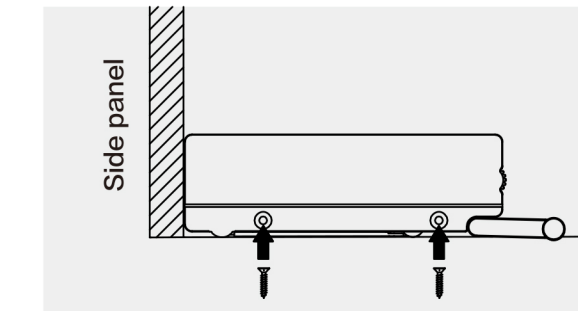
05 Installation Step

- Put the OT-mini on the proper position

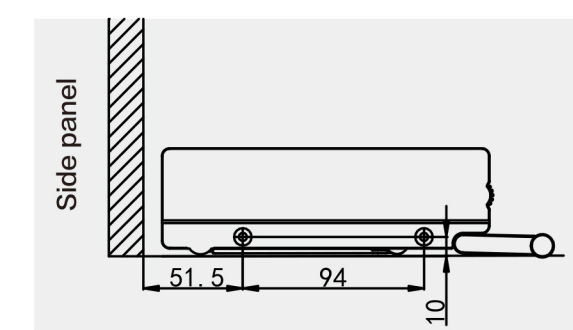
Full overlay



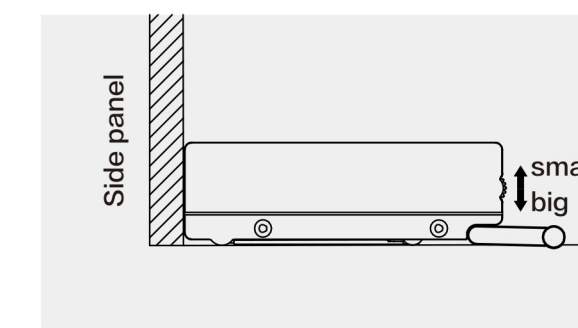
- Install OT-mini on cabinet with 2 wood screws.



Half overlay

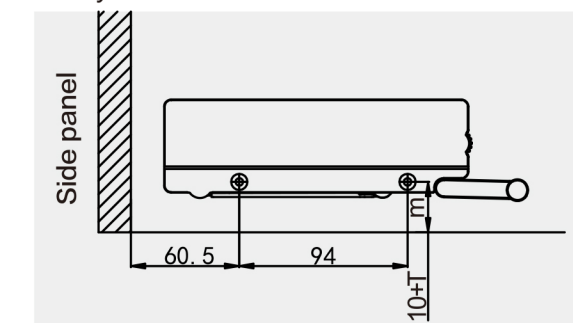


- Rotate adjustment wheel to achieve suitable door gap



Inset (T = door thickness)

Light version : M ≥ 2mm
Heavy version : M ≥ 3mm



- Install 2 screw decoration covers.

