


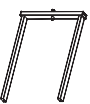
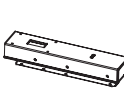

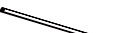

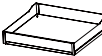
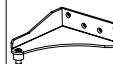


Installation Instructions for Pantry Cabinet Unit


Please read the manual carefully before installation.

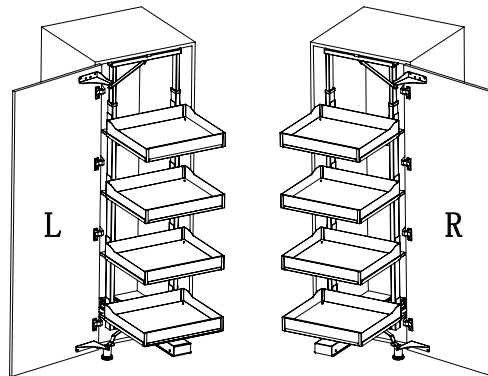
To avoid accidents, please have a professional installer complete the installation.

1. Please install this basket in standard cabinets of 450mm and 600mm.
2. To ensure the performance of the basket, please make sure that the installation of the slide is fixed in the correct standard position. Otherwise, some difficulties in pulling out the basket or improper storage space might be occurred.
3. Please pay attention to ensure the correct installation of the connecting rod, movable washer, and the silent guide groove. Otherwise, issues such as difficulty in opening the basket or unusual noises during use may occur.
4. Product compatibility with cabinets: Standard width of 450mm and 600mm cabinets, panel thickness of 16mm and 18mm.
 - Medium cabinet (4 layers): Net cabinet depth ≥ 520 mm, net cabinet height: 1340-1660mm.
 - Tall cabinet (5 layers): Net cabinet depth ≥ 520 mm, net cabinet height: 1720-2020mm.
 - cabinet (6 layers): Net cabinet depth ≥ 520 mm, net cabinet height: 2020-2320mm.
5. Medium cabinet (4 layers) - Maximum load weight for linked pull-out basket: 50kg. Maximum load weight for each large basket per layer: 8kg.
 Tall cabinet (5 layers) - Maximum load weight for linked pull-out basket: 50kg. Maximum load weight for each large basket per layer: 8kg.
 Extra-tall cabinet (6 layers) - Maximum load weight for linked pull-out basket: 50kg. Maximum load weight for each large basket per layer: 8kg.
6. Opening angle of the door hinge should be greater than 155 degree.

ACCELIST

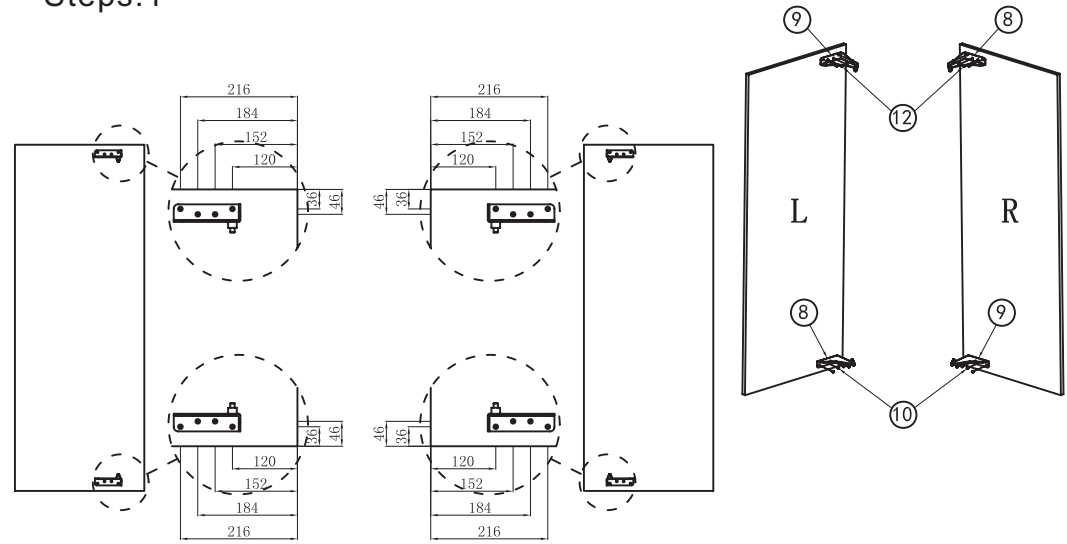
① Main Frame	② Adjustable frame	③ Bottom slide	④ Bottom connecting rod	⑤ Upper connecting rod	⑥ Adjustable frame guide plate
1 PCS	1 PCS	1 PCS	1 PCS	1 PCS	1 PCS
					
⑦ Basket	⑧ Upper fixing part	⑨ Bottom fixing part	⑩ ST4x14		
see table below	1 PCS	1 PCS	20 PCS		
					

Layers	Cabinet	
4	450	4 SET
	600	
5	450	5 SET
	600	
6	450	6 SET
	600	

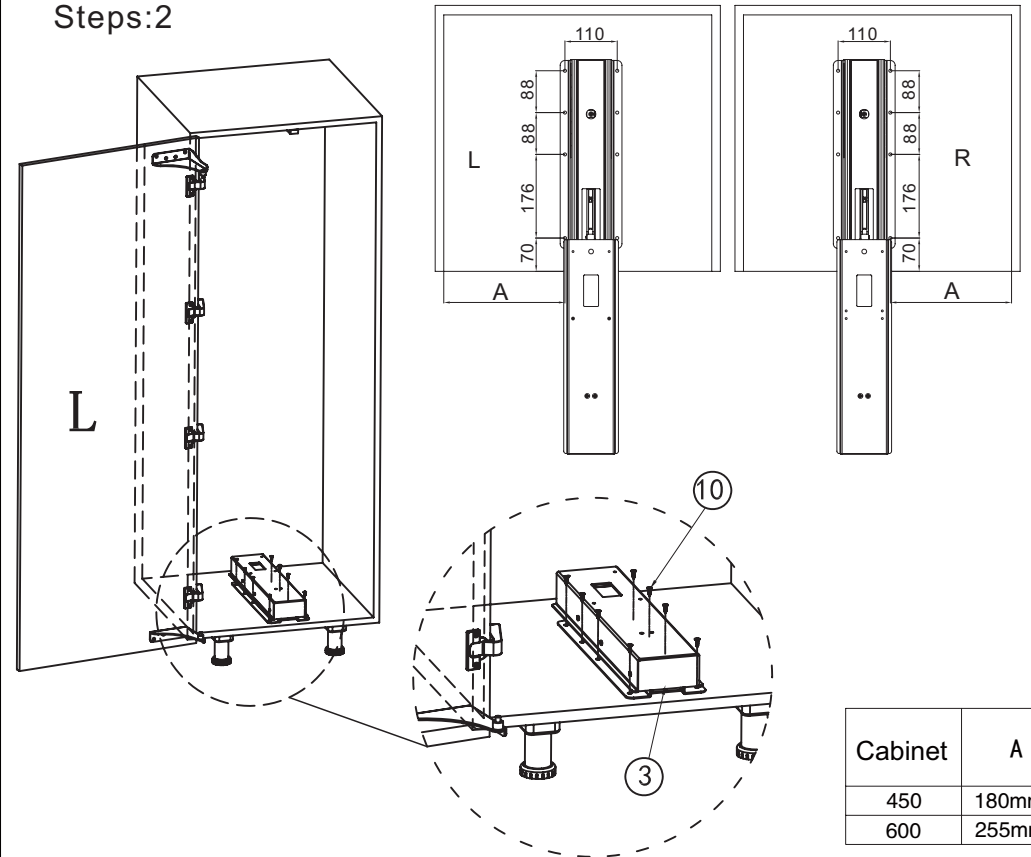


Please note that this is a technical installation instruction and it's important to follow the steps accurately. If you have any further questions or need additional assistance, feel free to contact.

Steps:1

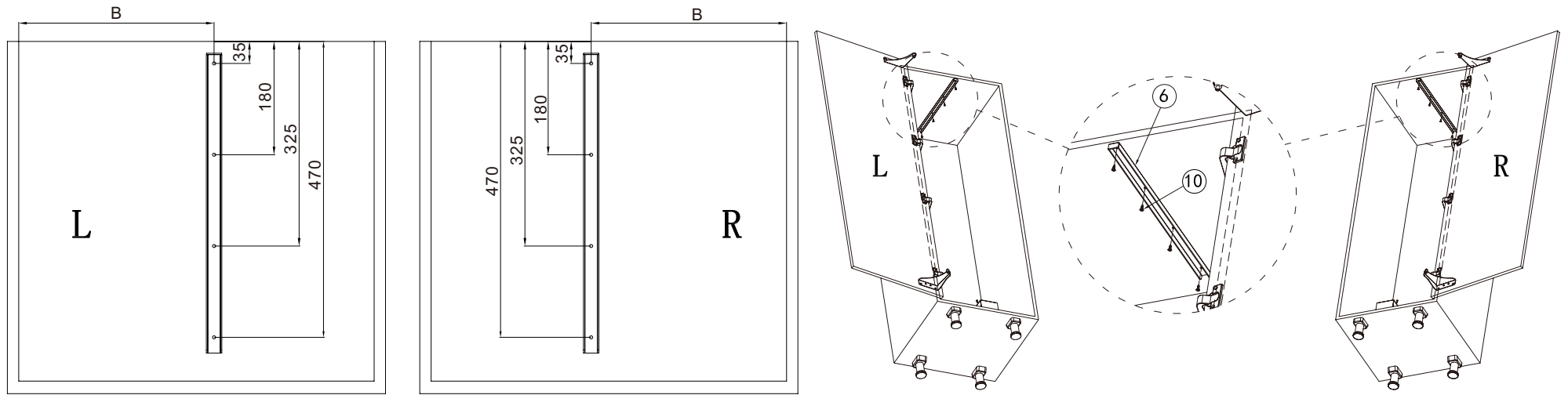


Steps:2



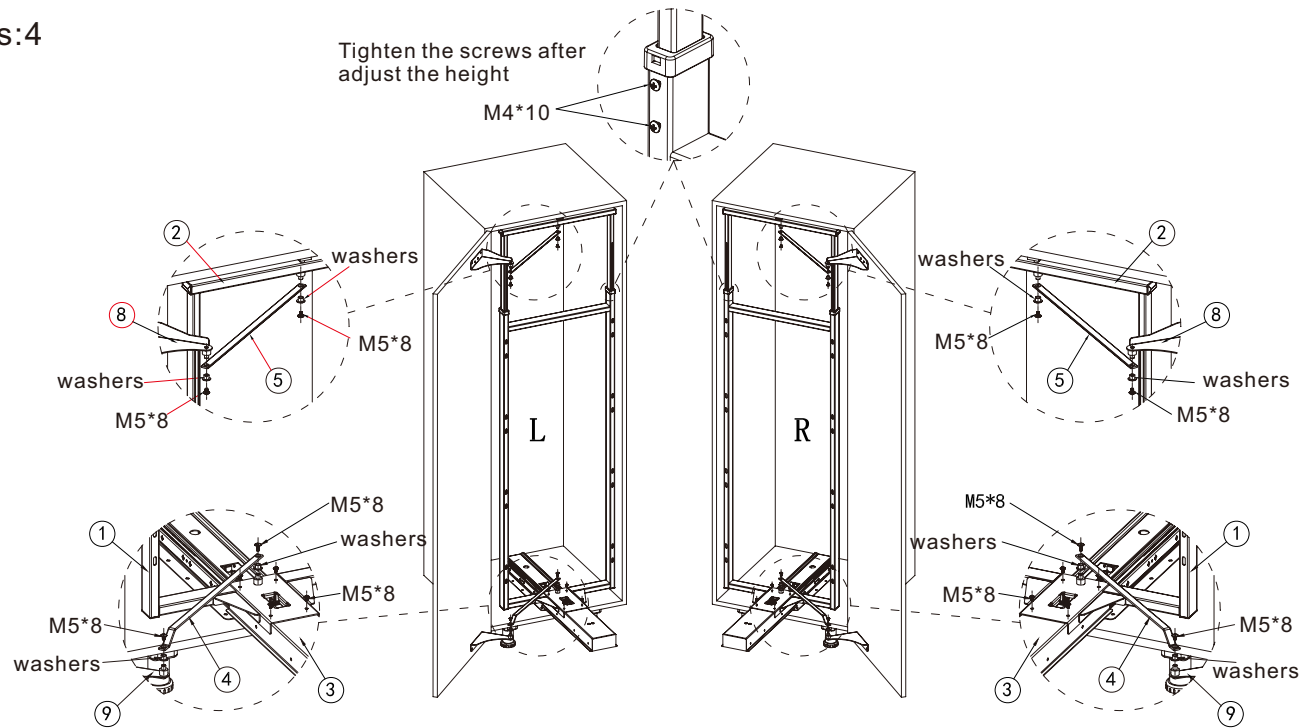
Cabinet	A
450	180mm
600	255mm

Steps:3

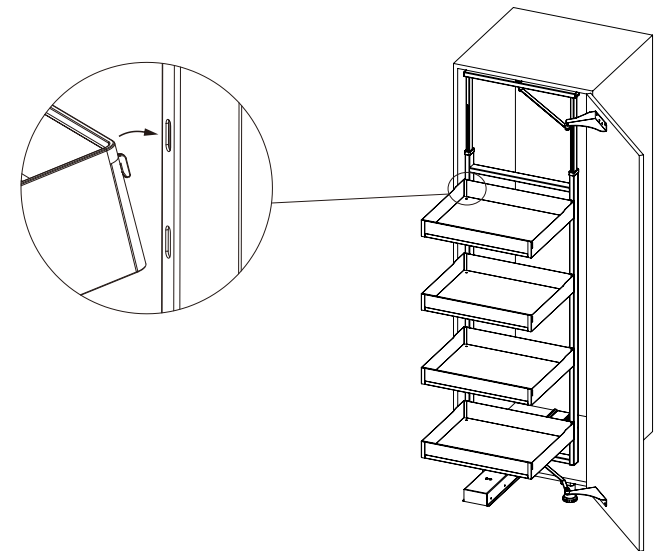


Cabinet	B
450	235mm
600	310mm

Steps:4



Steps:5



Please note that this is a technical installation instruction and it's important to follow the steps accurately. If you have any further questions or need additional assistance, feel free to contact.