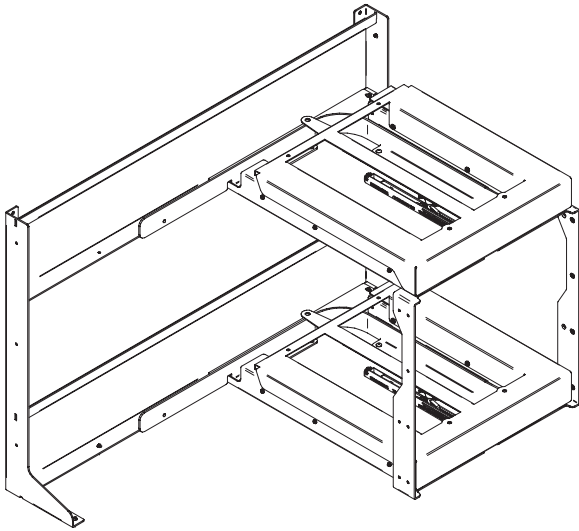
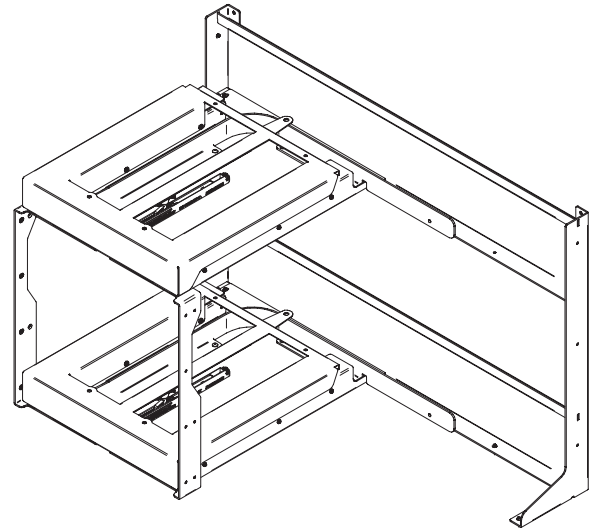


## Fly Box base mechanism 45



Right hand version



Left hand version



Max: 50 Kg



30 min

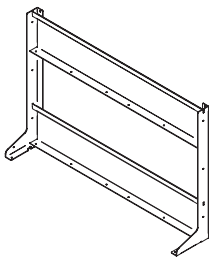


x 1



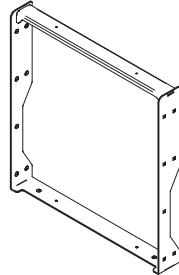
+

**A**



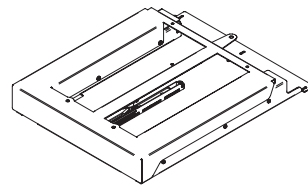
x 1

**B**



x 1

**C**



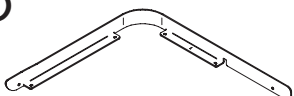
x 2

### Info

**WARNING!** Read the instructions carefully before assembly and follow each step indicated.

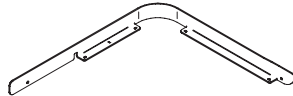
Any improper use of the product can cause injury.

**D**



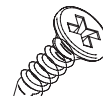
x 2

**E**



x 2

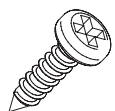
**F**



x 10

Ø4X16

**G**



x 5

Ø4X16

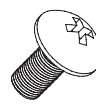
**H**



x 5

Ø4X20

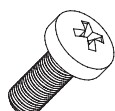
**L**



x 10

M4X8

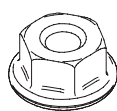
**M**



x 3

M4X10

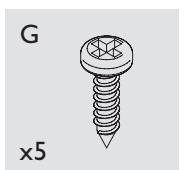
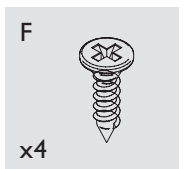
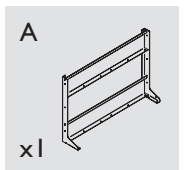
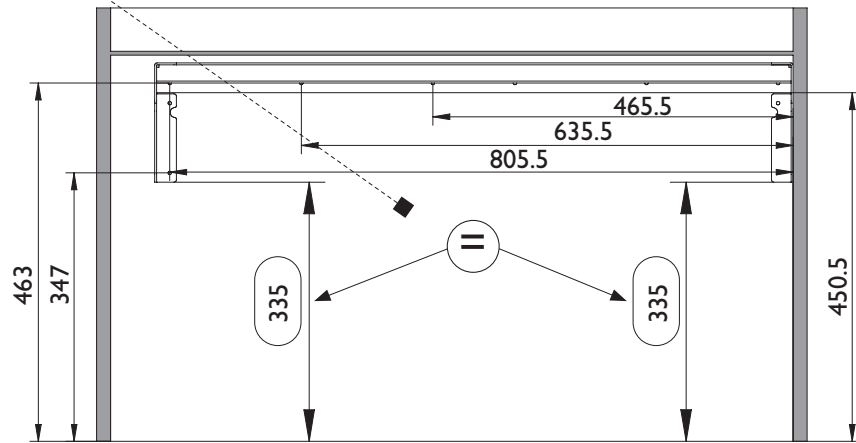
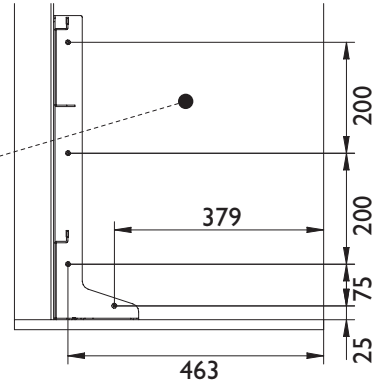
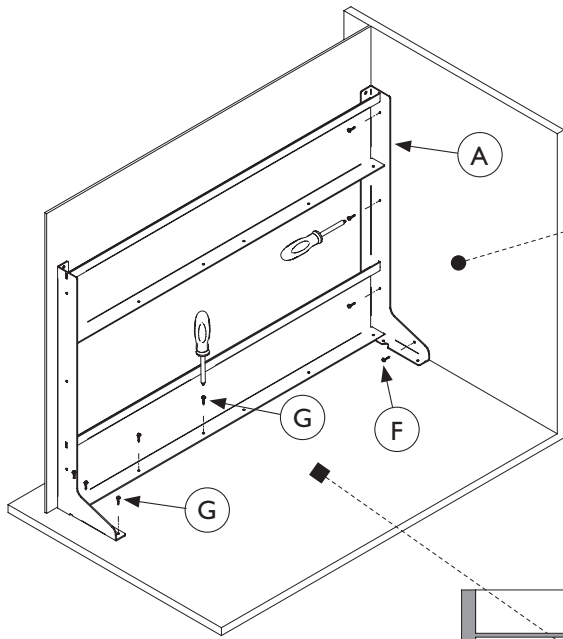
**N**



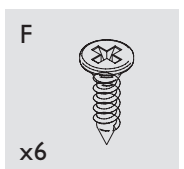
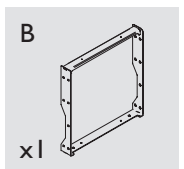
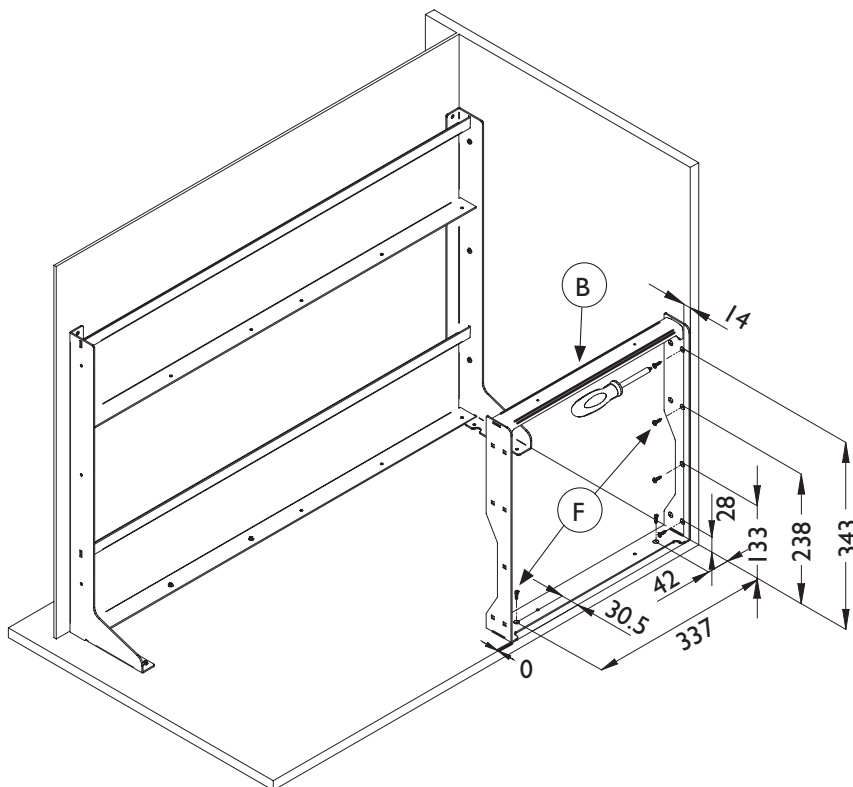
x 3

M4

# I Right hand version

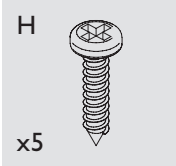
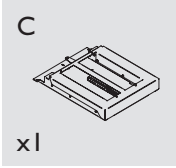
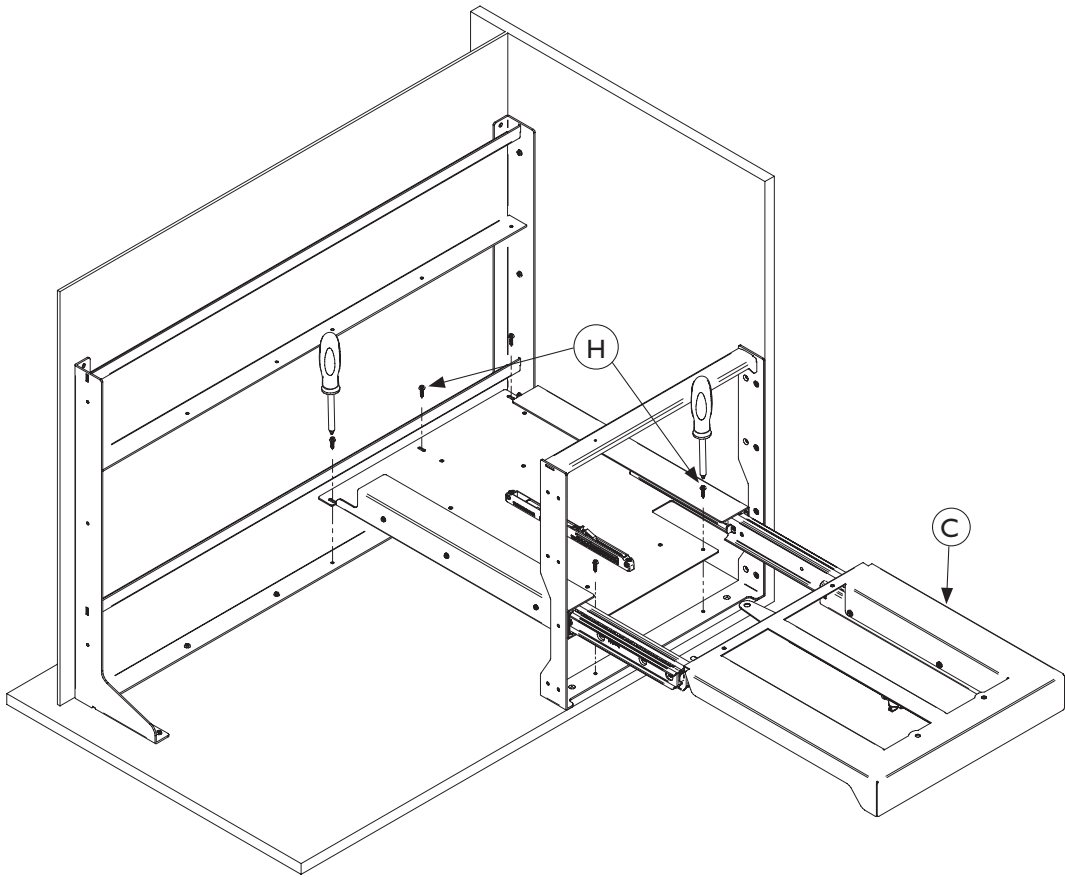


# 2



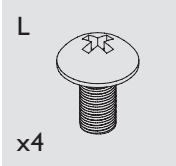
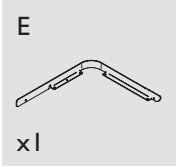
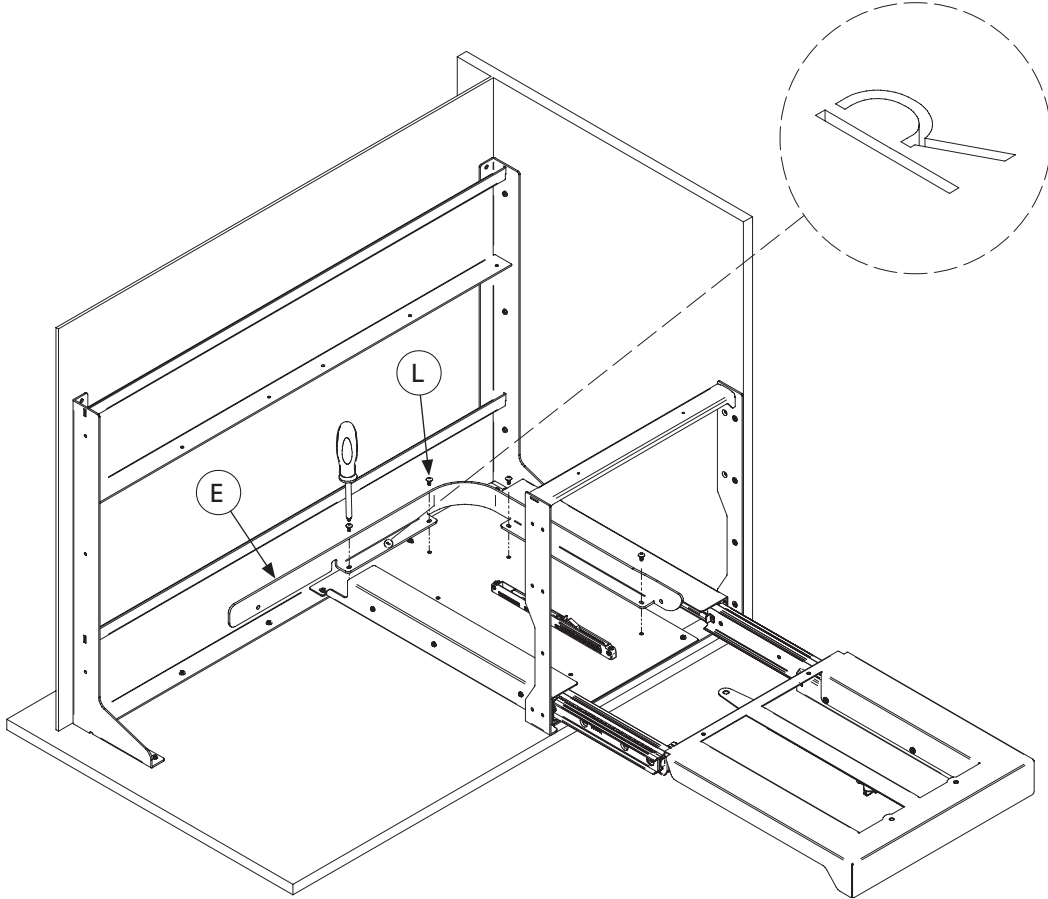
Right hand version

3



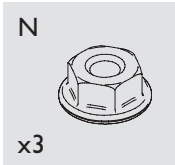
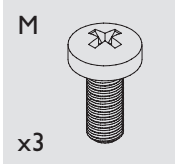
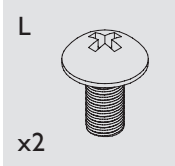
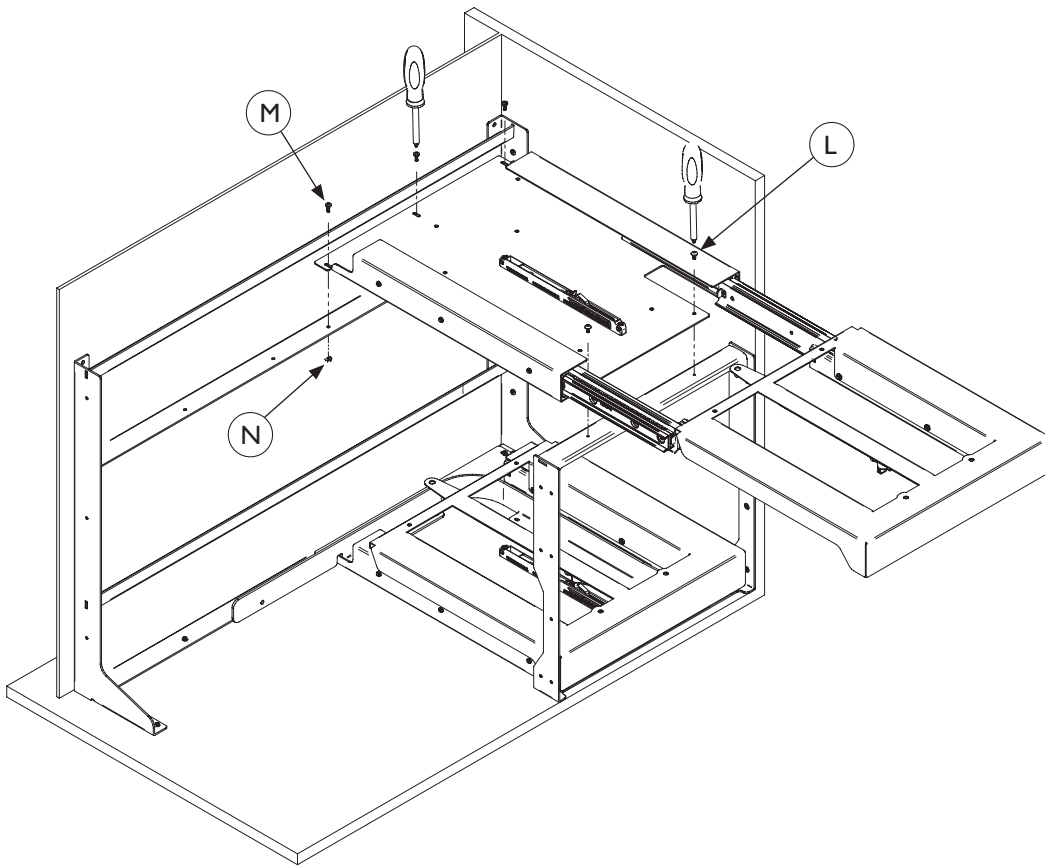
Right hand version

4



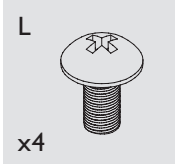
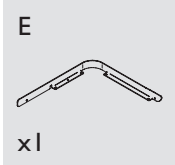
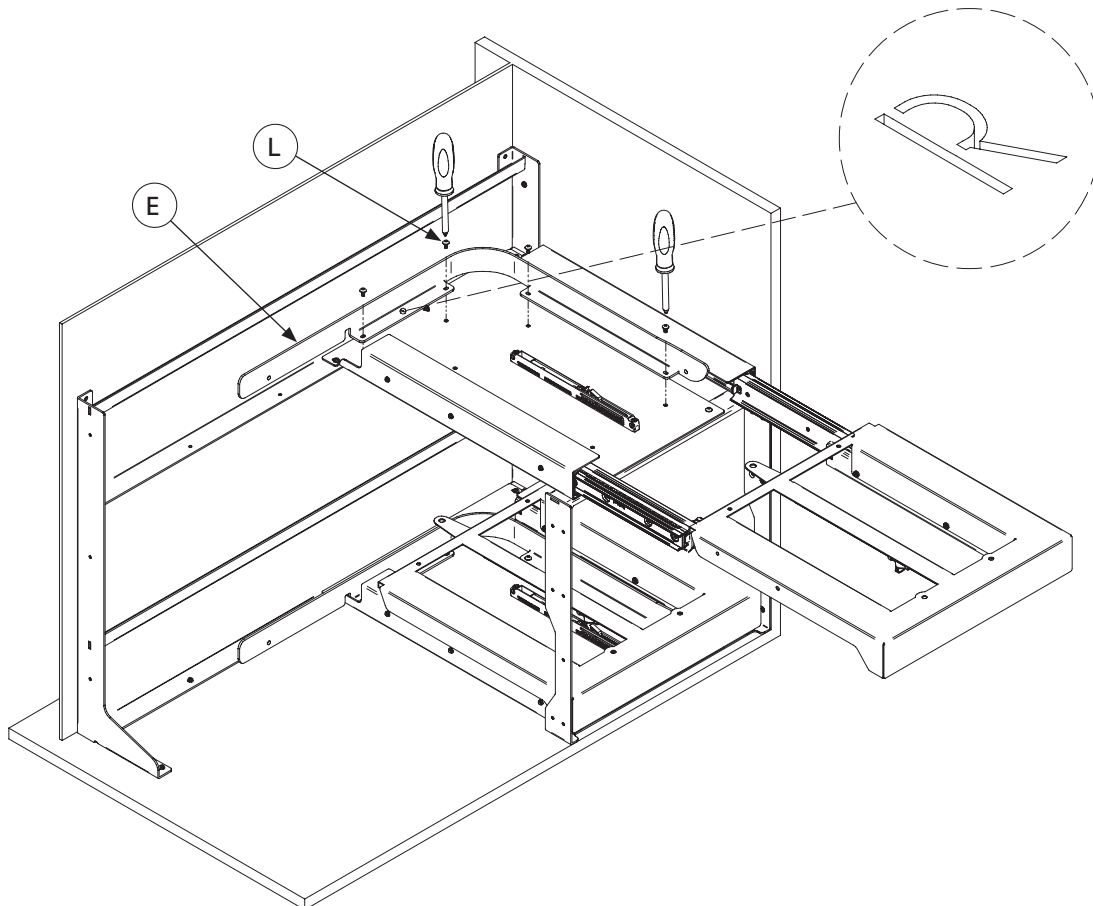
Right hand version

5



Right hand version

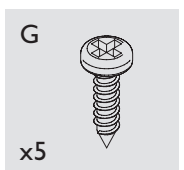
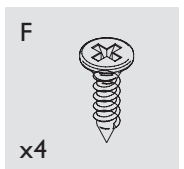
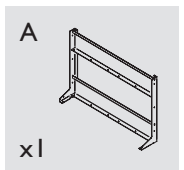
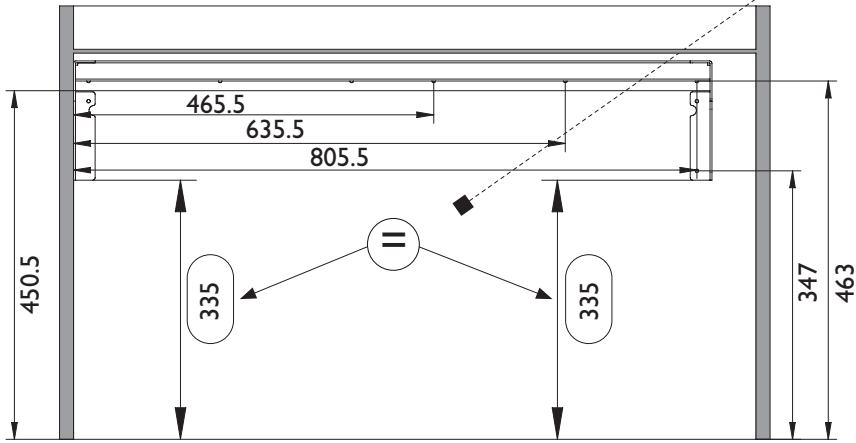
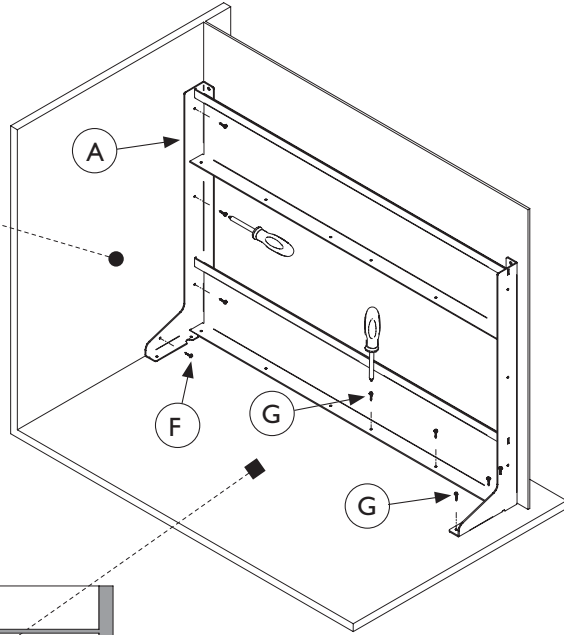
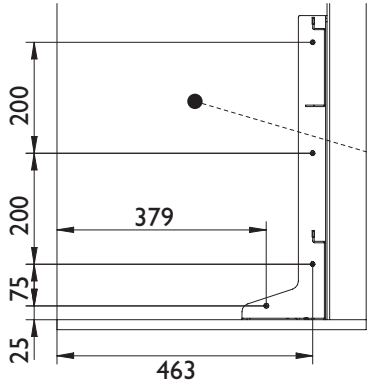
6



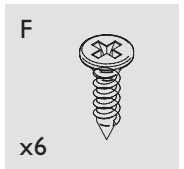
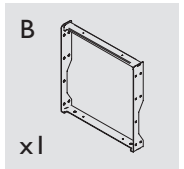
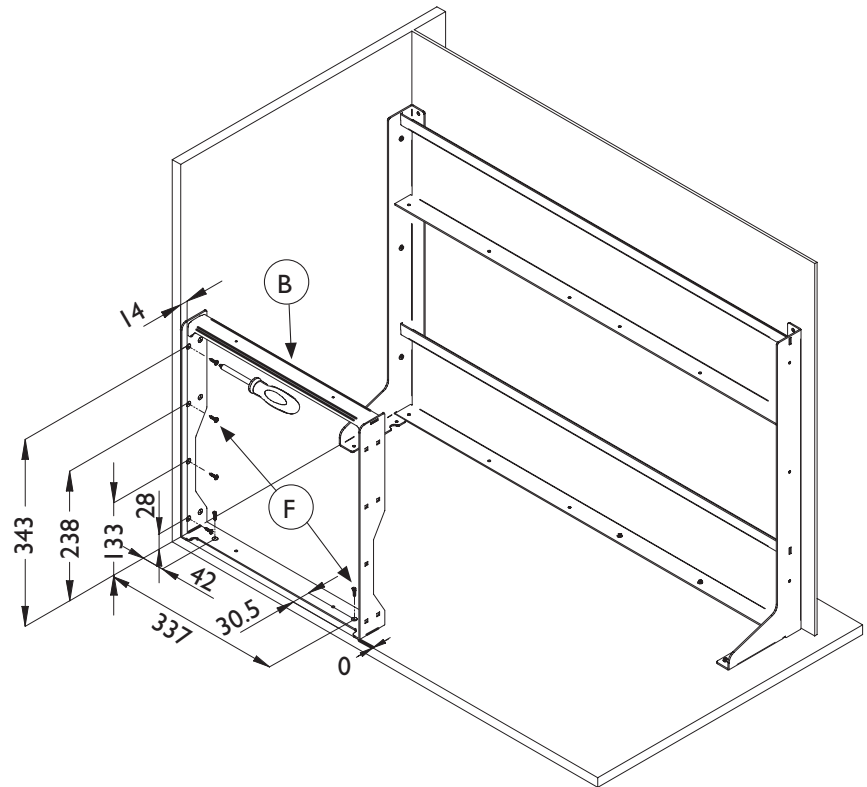
Right hand version



# I Left version

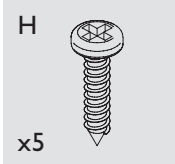
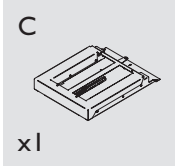
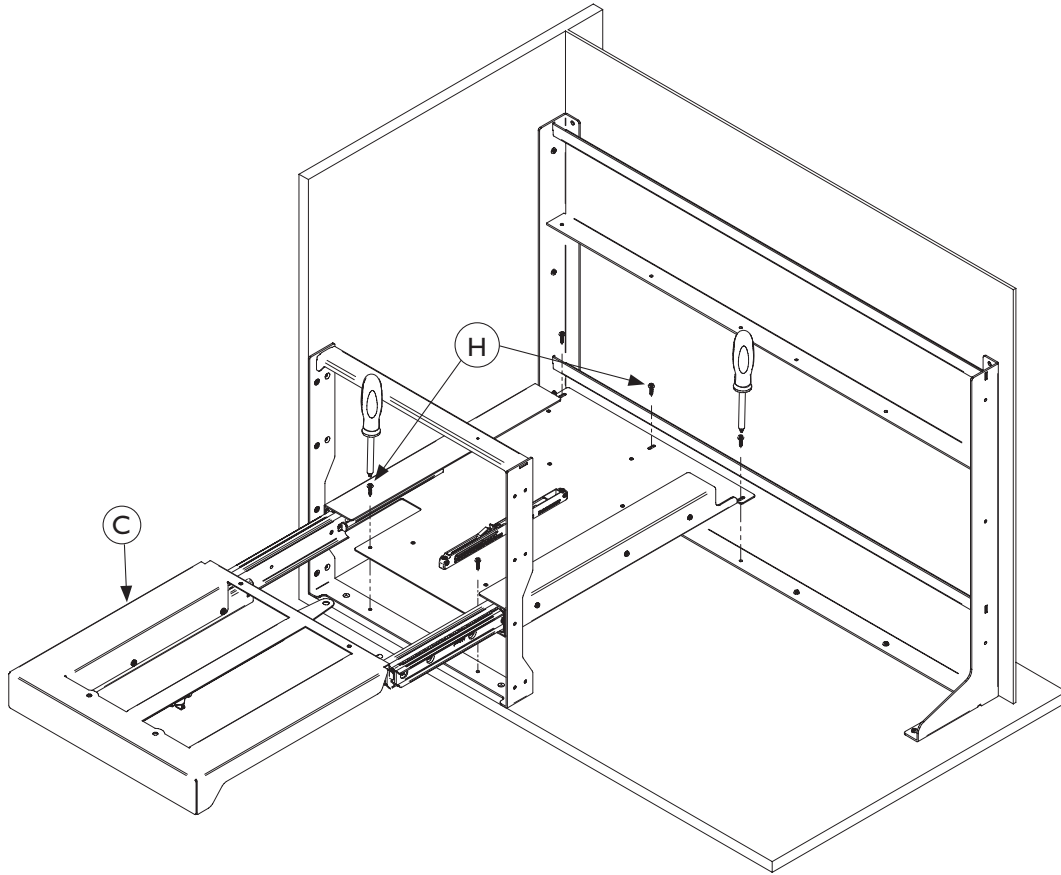


# 2



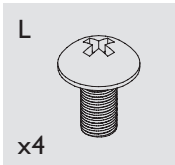
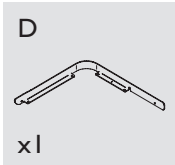
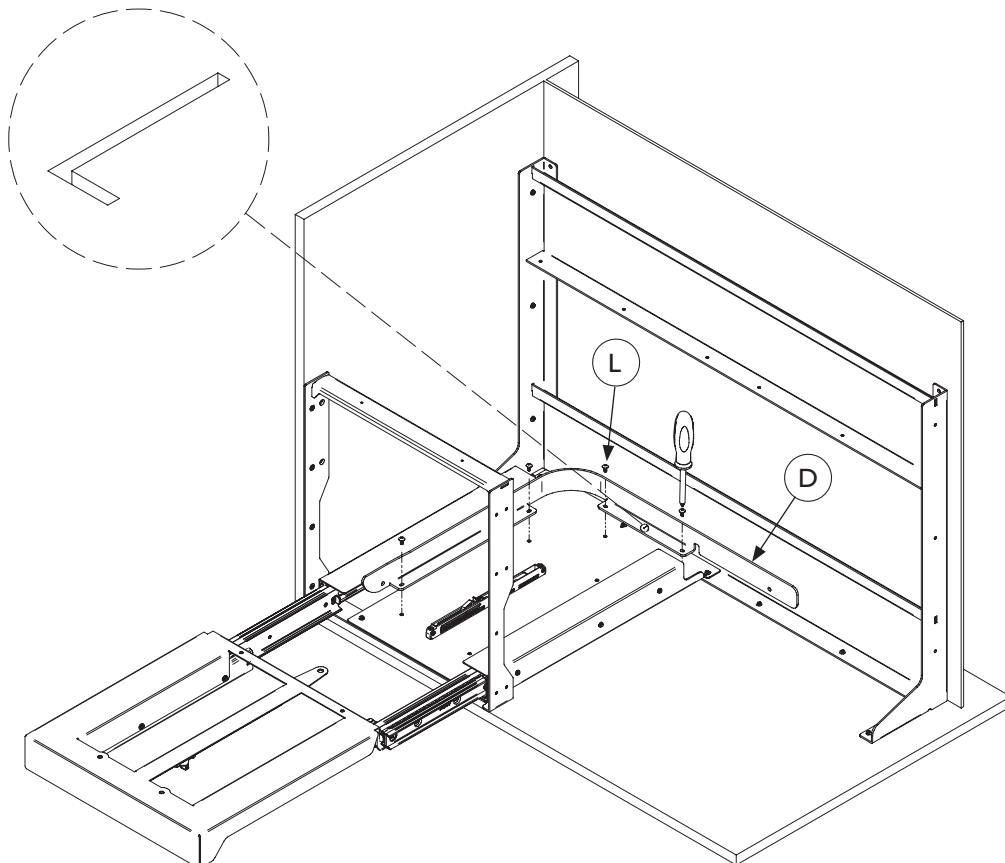
Left hand version

3



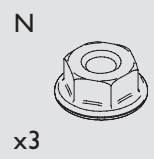
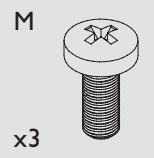
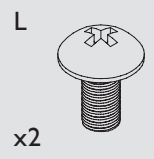
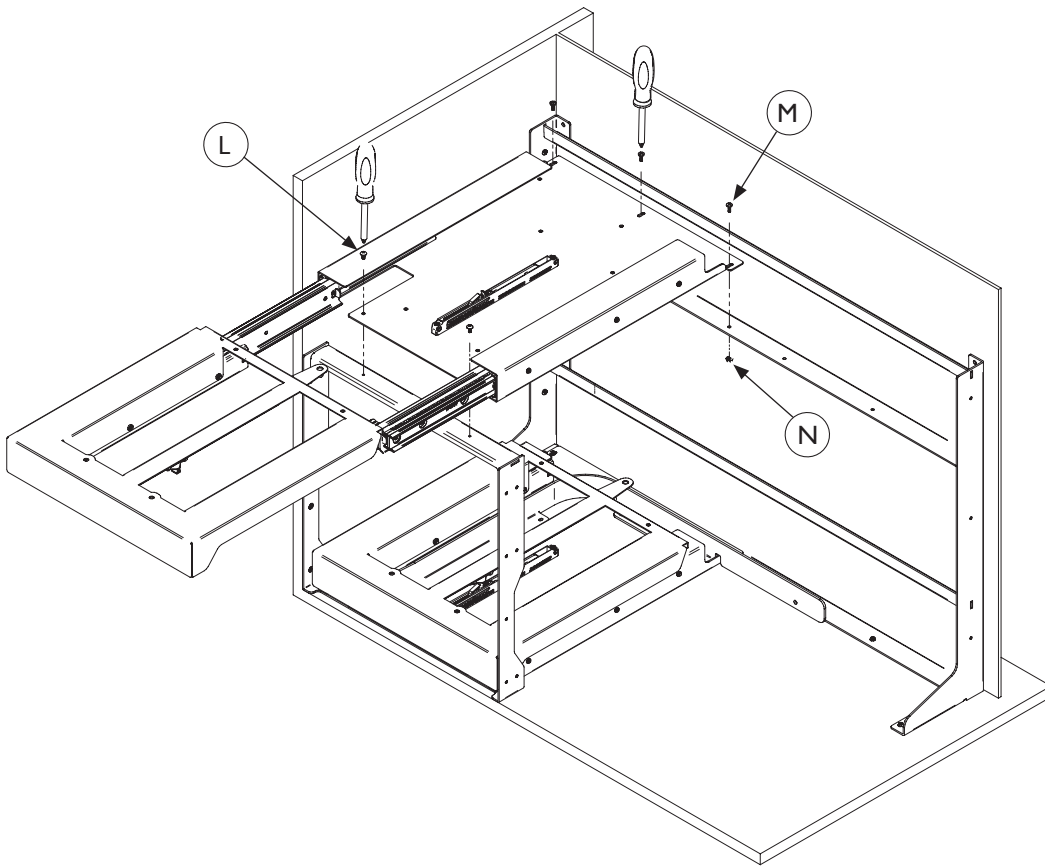
Left hand version

4



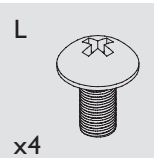
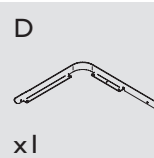
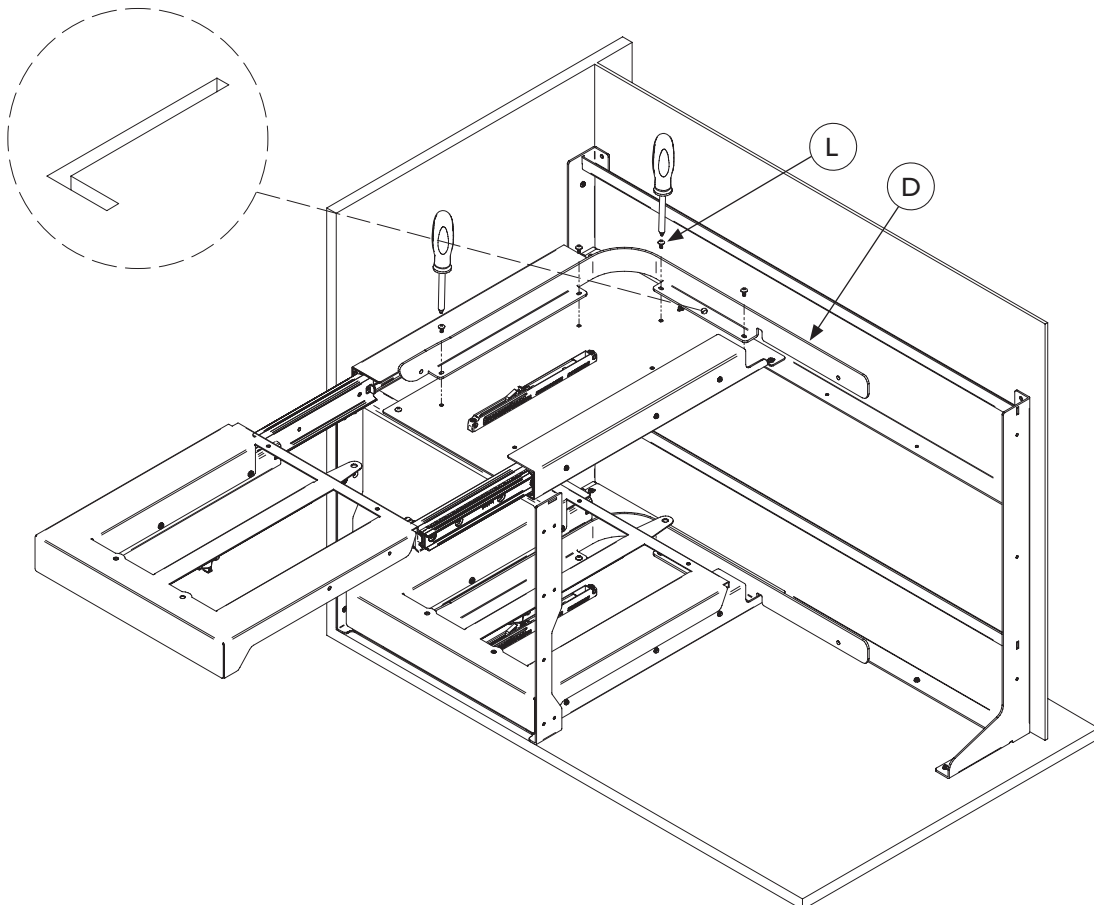
Left hand version

5

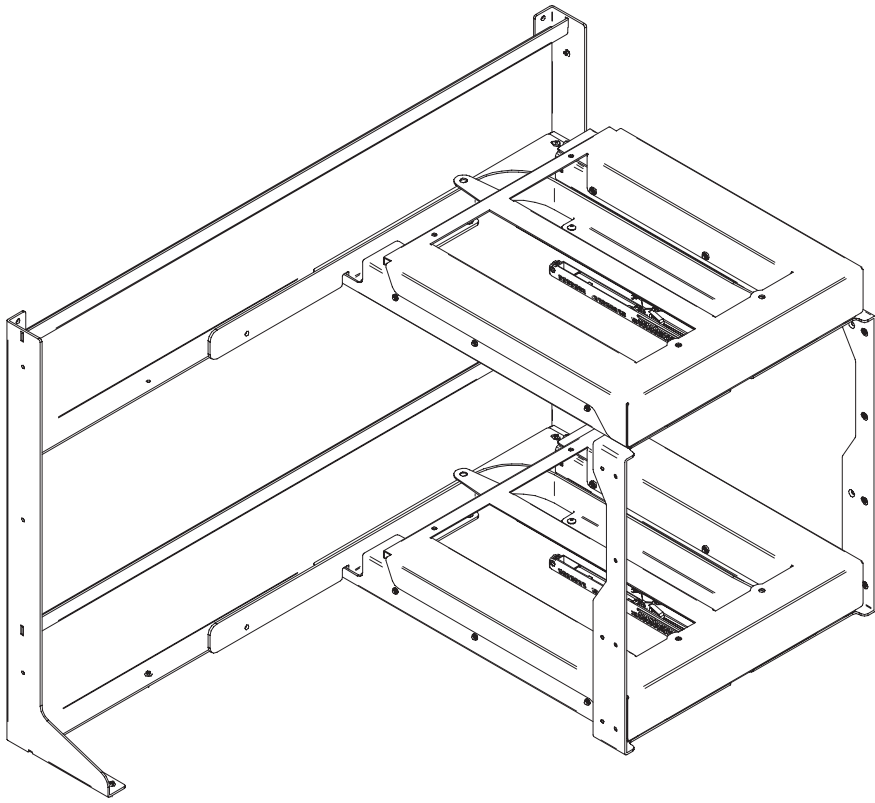


Left hand version

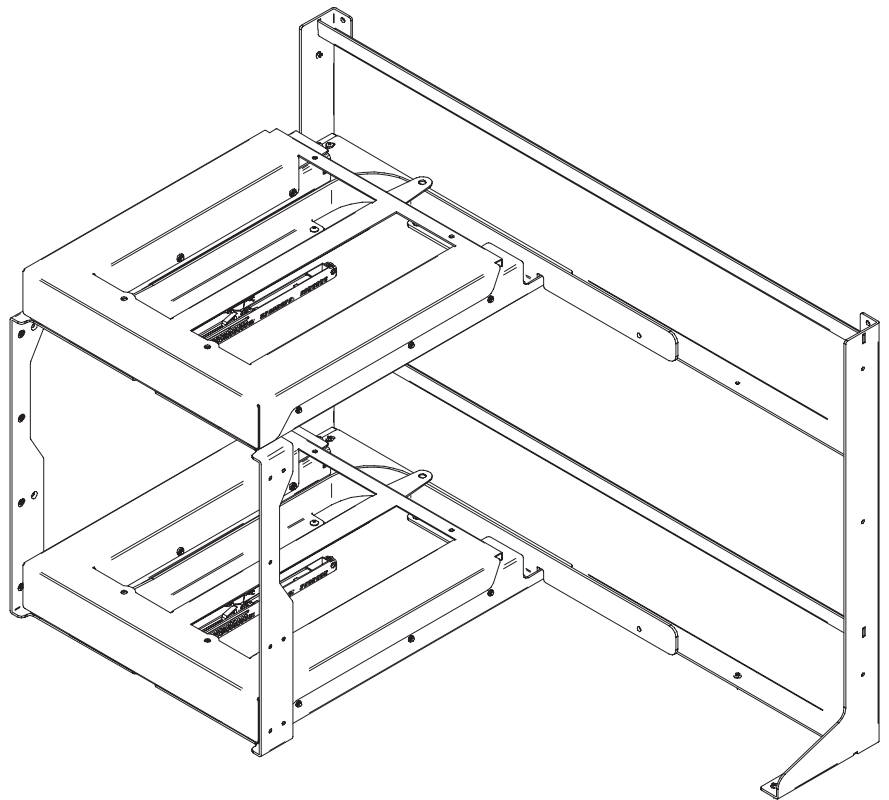
6



Left hand version

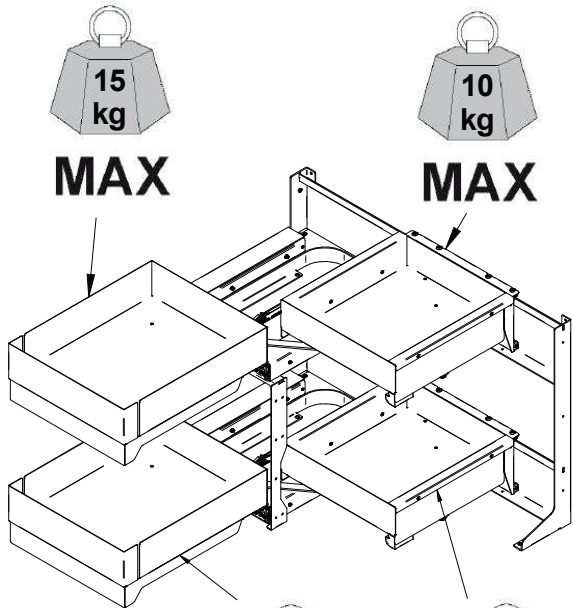
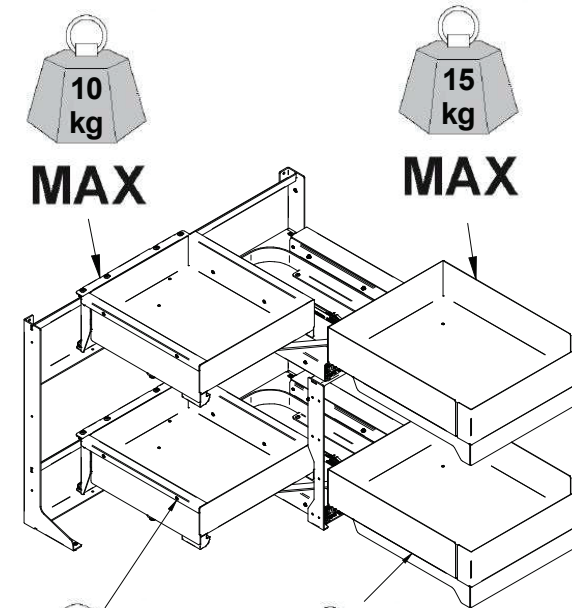

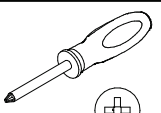
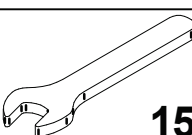


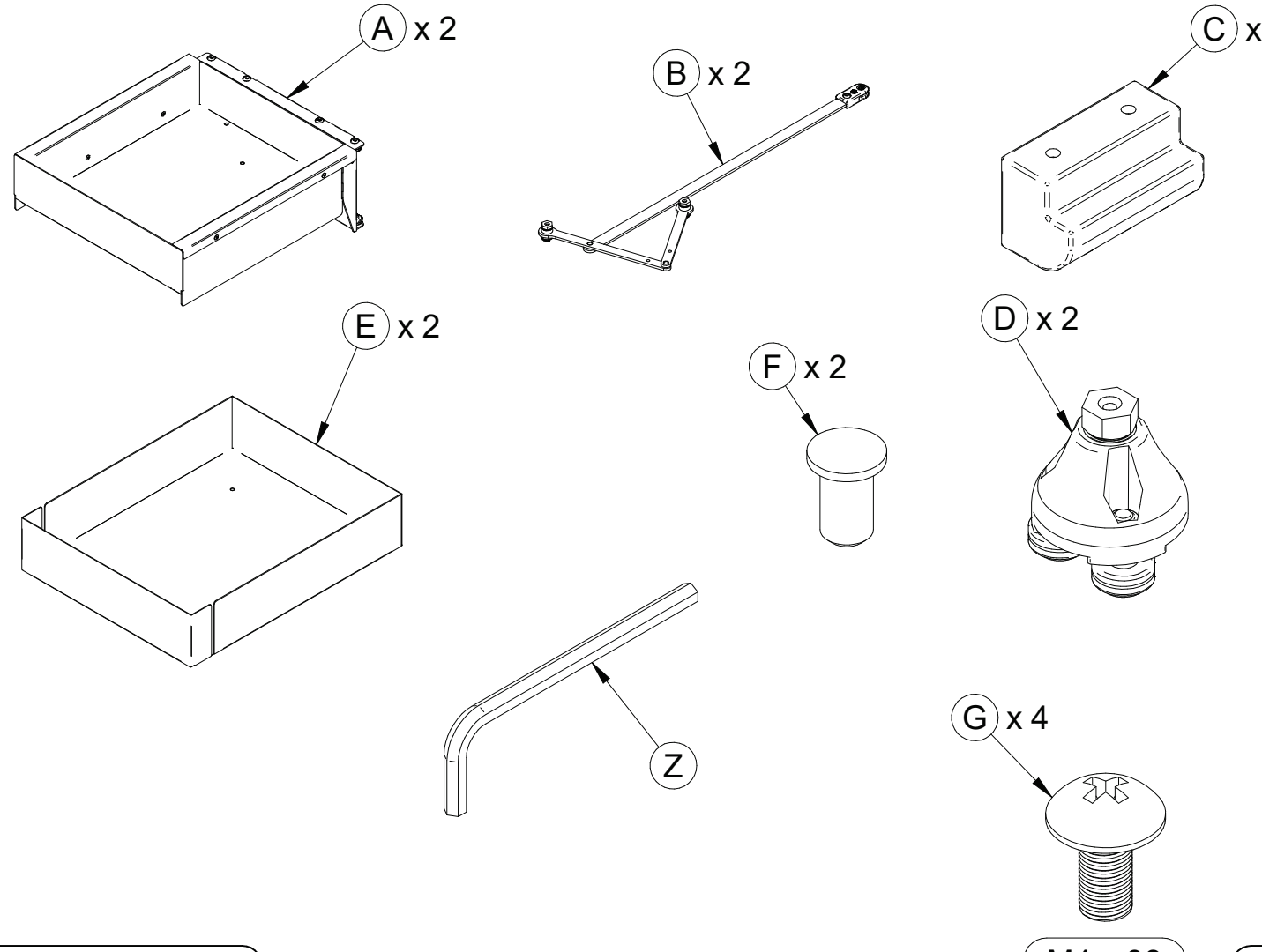
Right hand version



Left hand version

# Flybox 45 Tray Instructions

 <p>15 kg <b>MAX</b></p> <p>10 kg <b>MAX</b></p>	 <p>10 kg <b>MAX</b></p> <p>15 kg <b>MAX</b></p>	 <p>15 Mins</p>
<p><b>L</b></p> <p>15 kg <b>MAX</b></p> <p>10 kg <b>MAX</b></p>	<p><b>R</b></p> <p>10 kg <b>MAX</b></p> <p>15 kg <b>MAX</b></p>	<p>x1</p>   <p>15</p> <p>50 kg <b>MAX</b></p>



A x 2

B x 2

C x 2

E x 2

F x 2

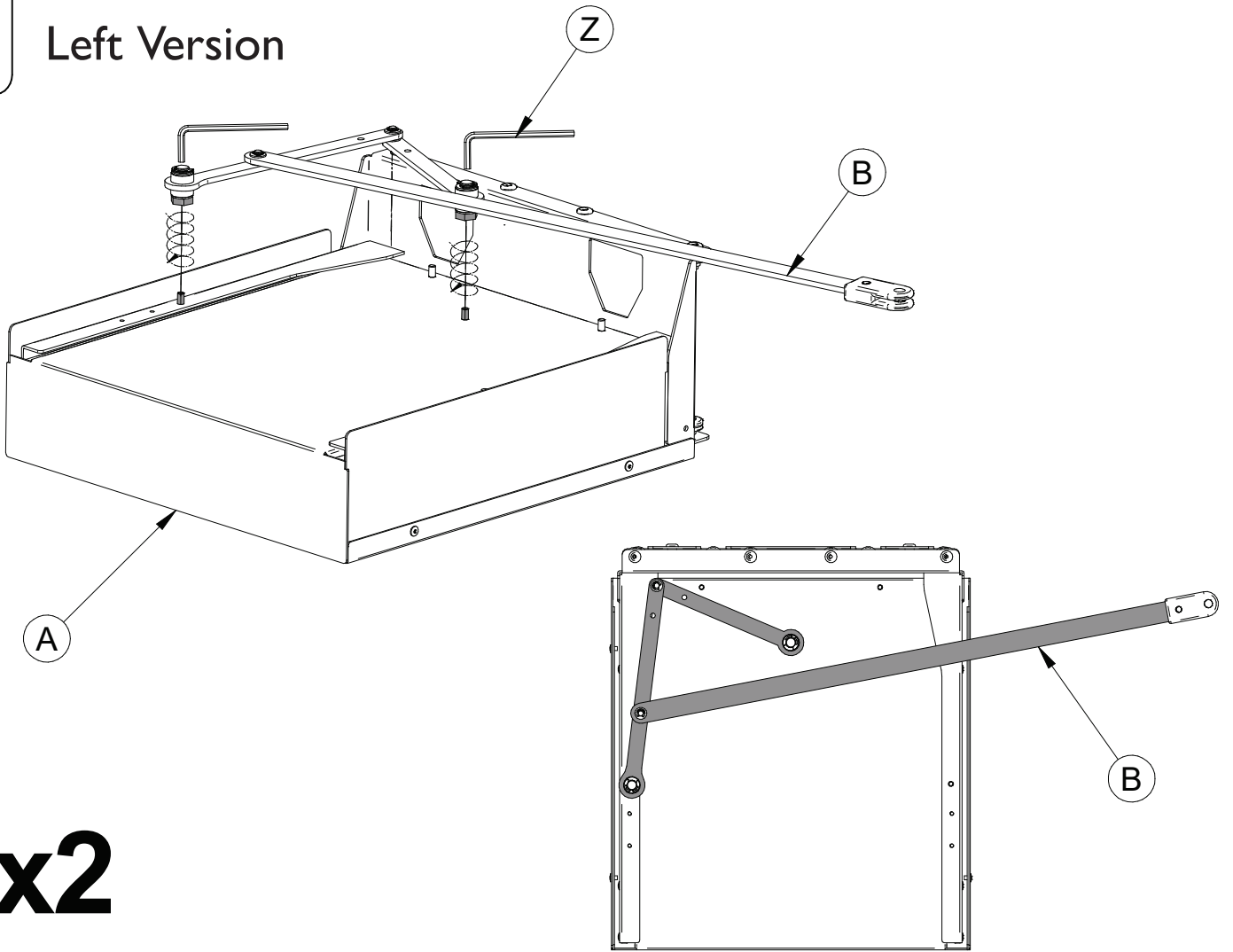
D x 2

Z

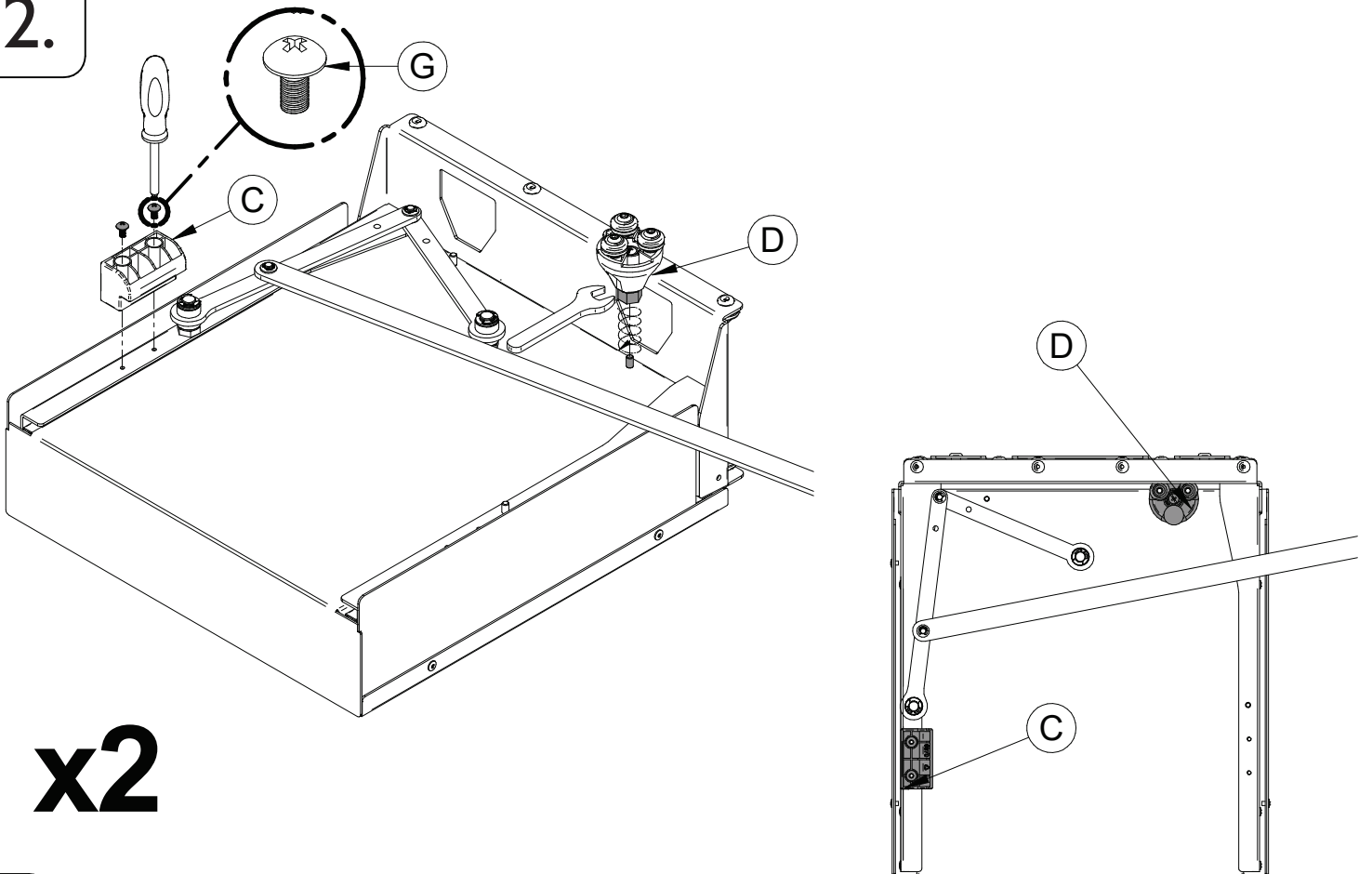
G x 4

M4 x 08

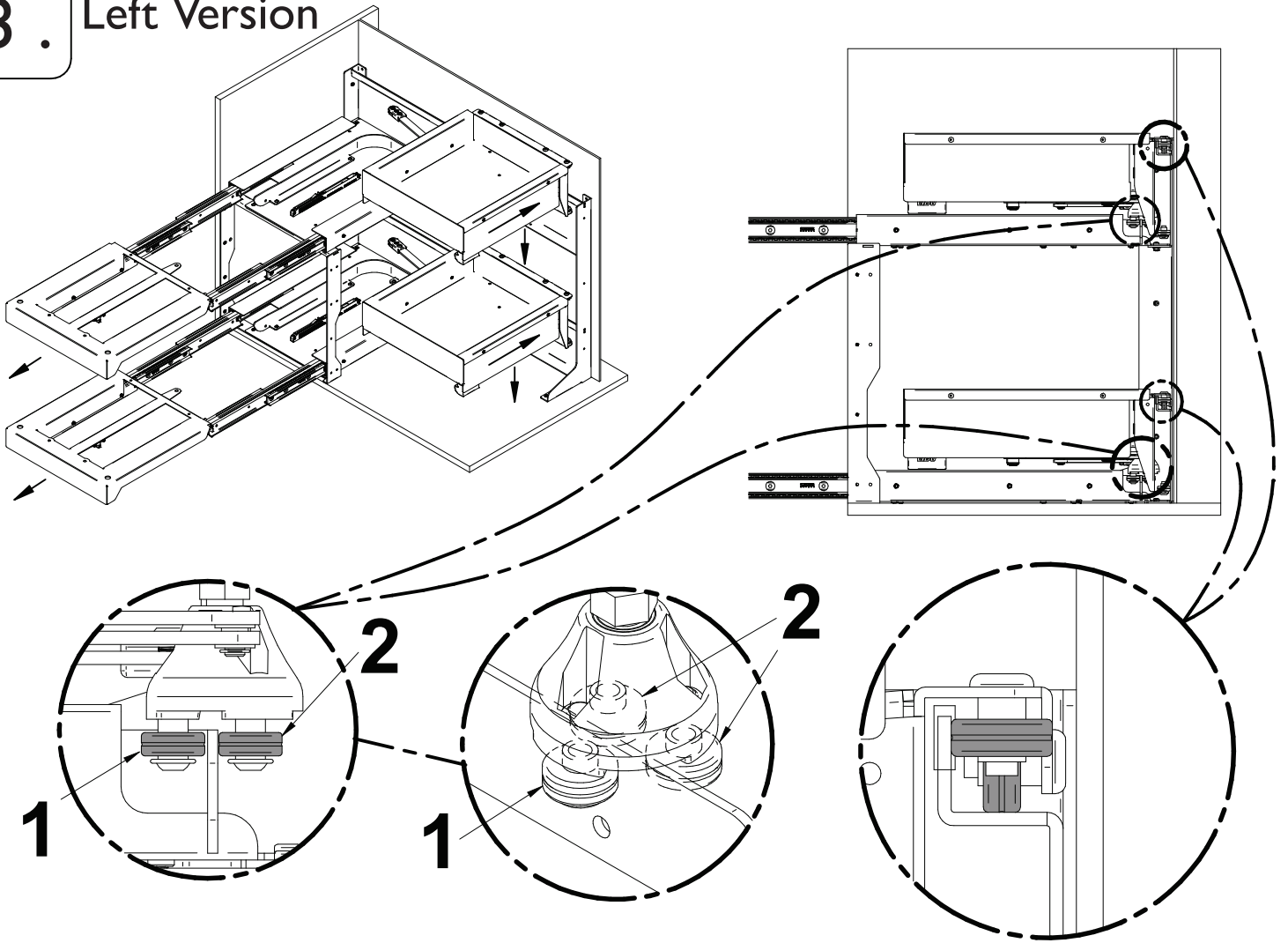
# I. Left Version



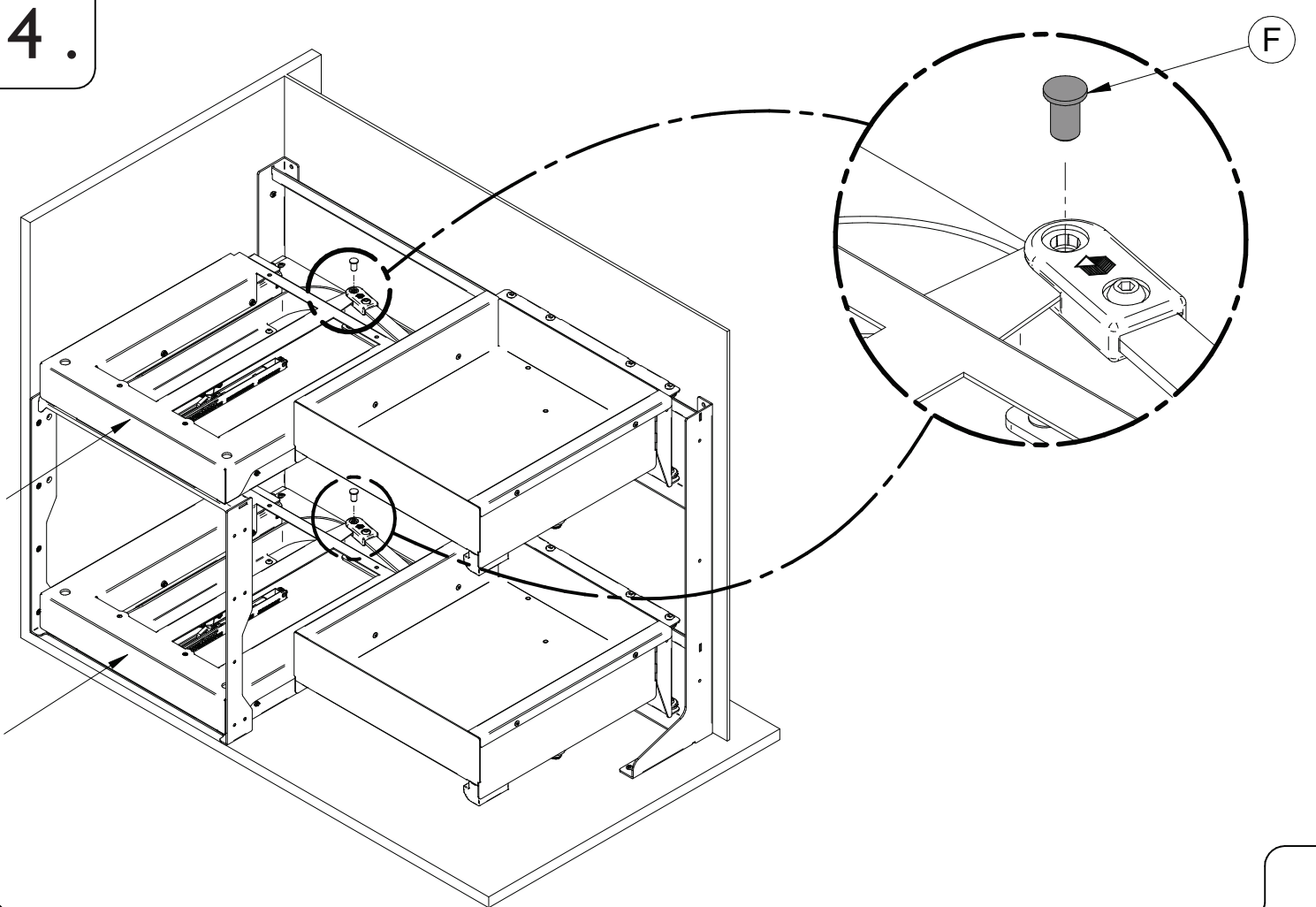
# 2.



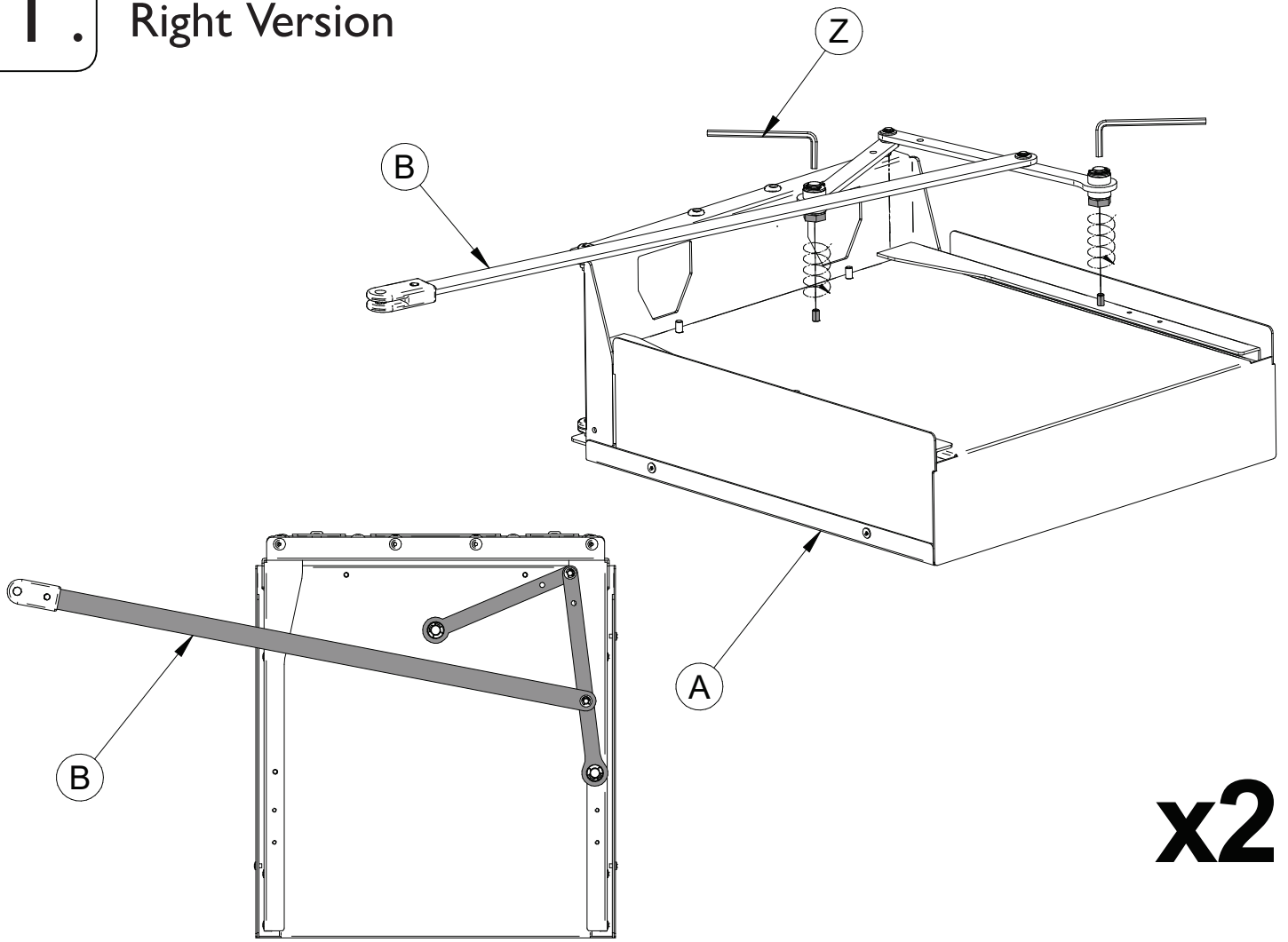
### 3. Left Version



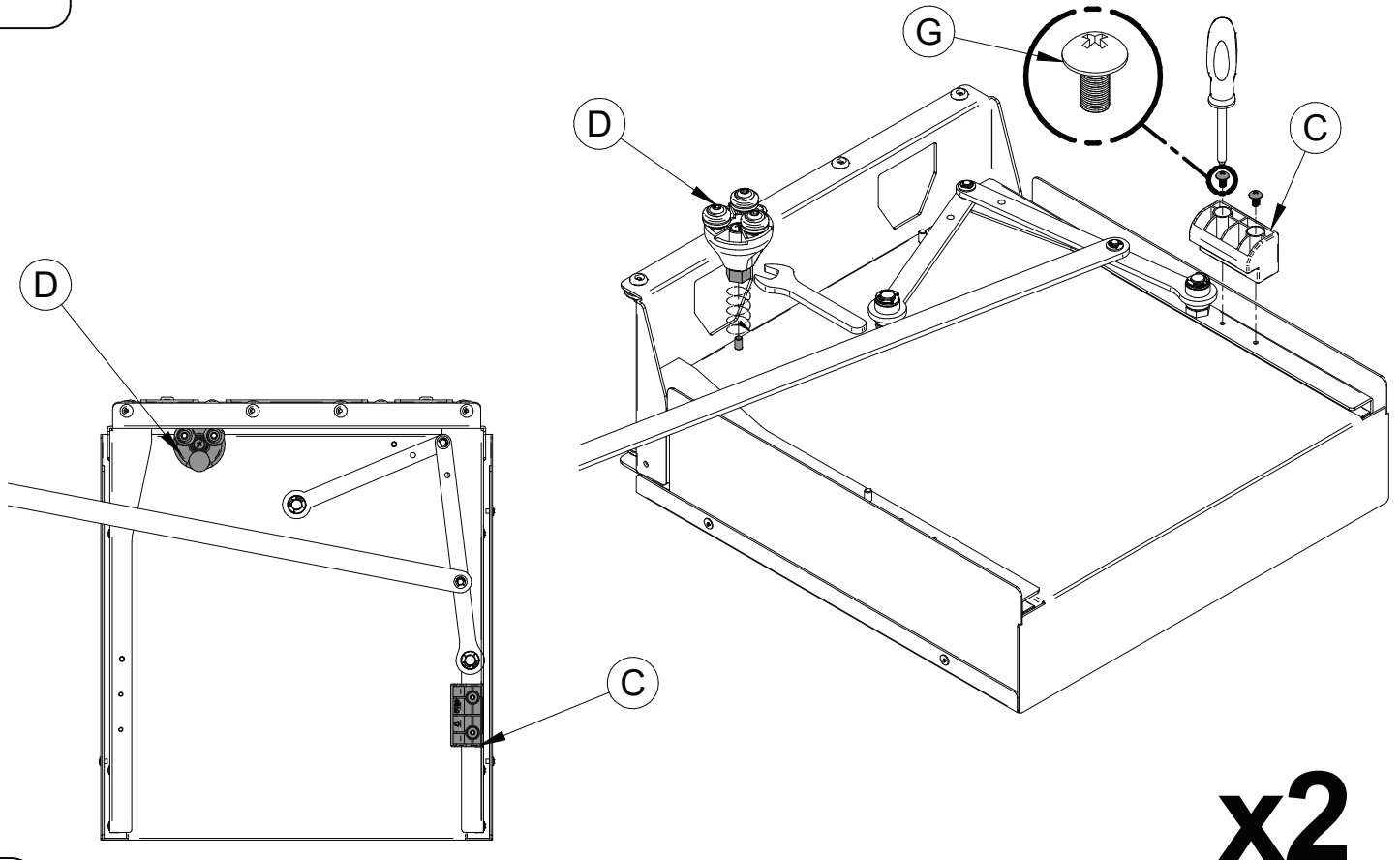
### 4.



1. Right Version

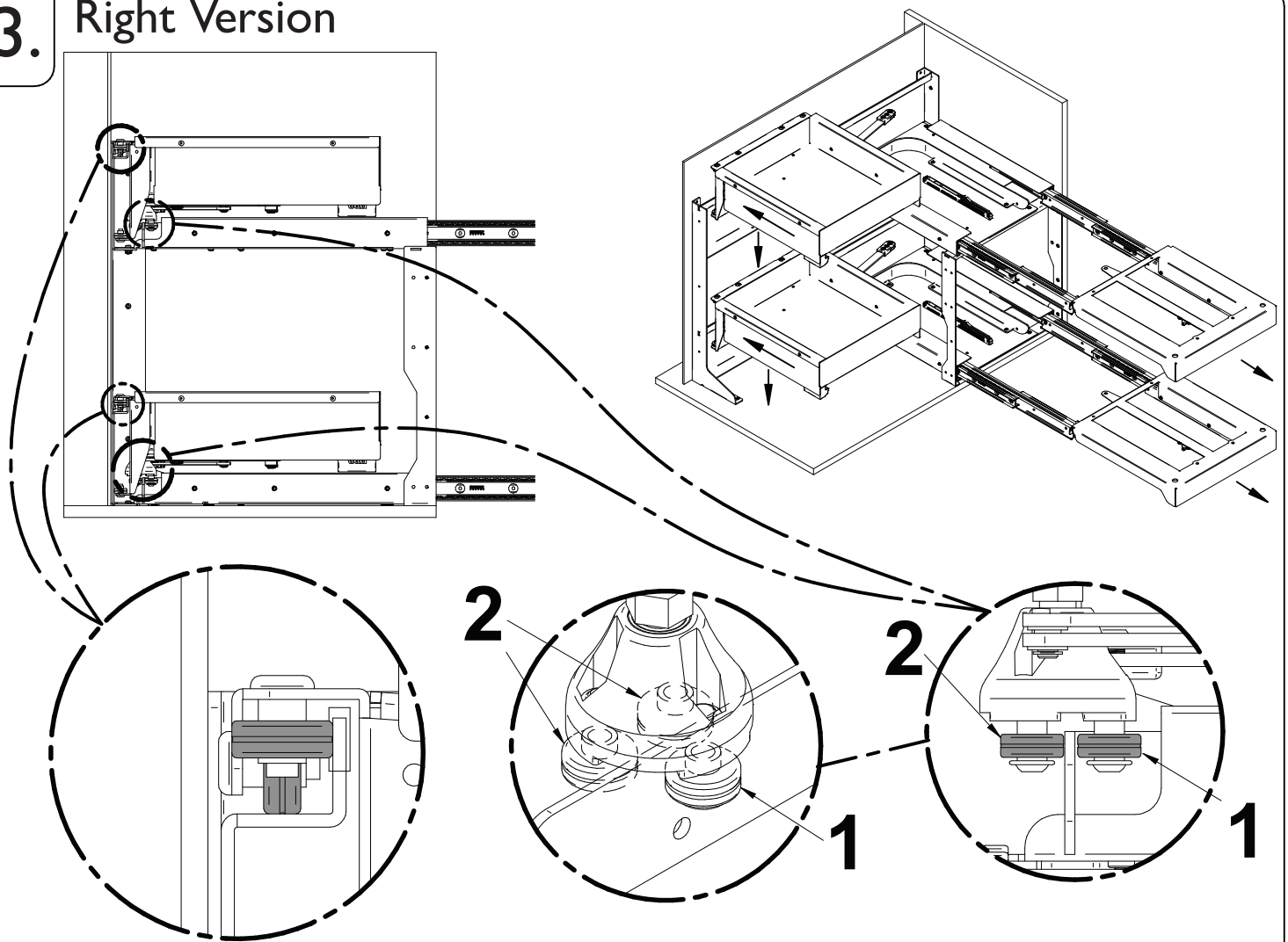


2.

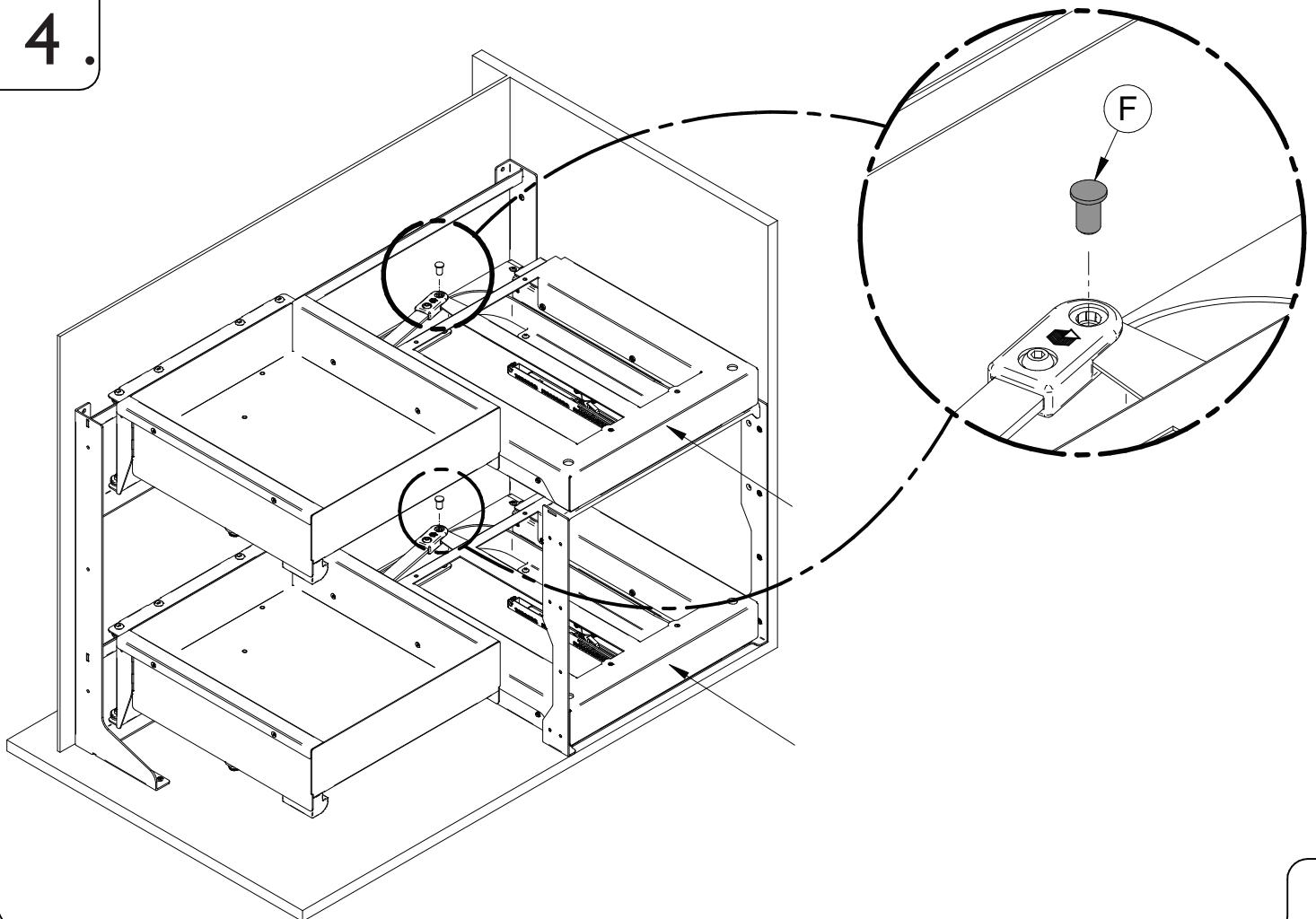




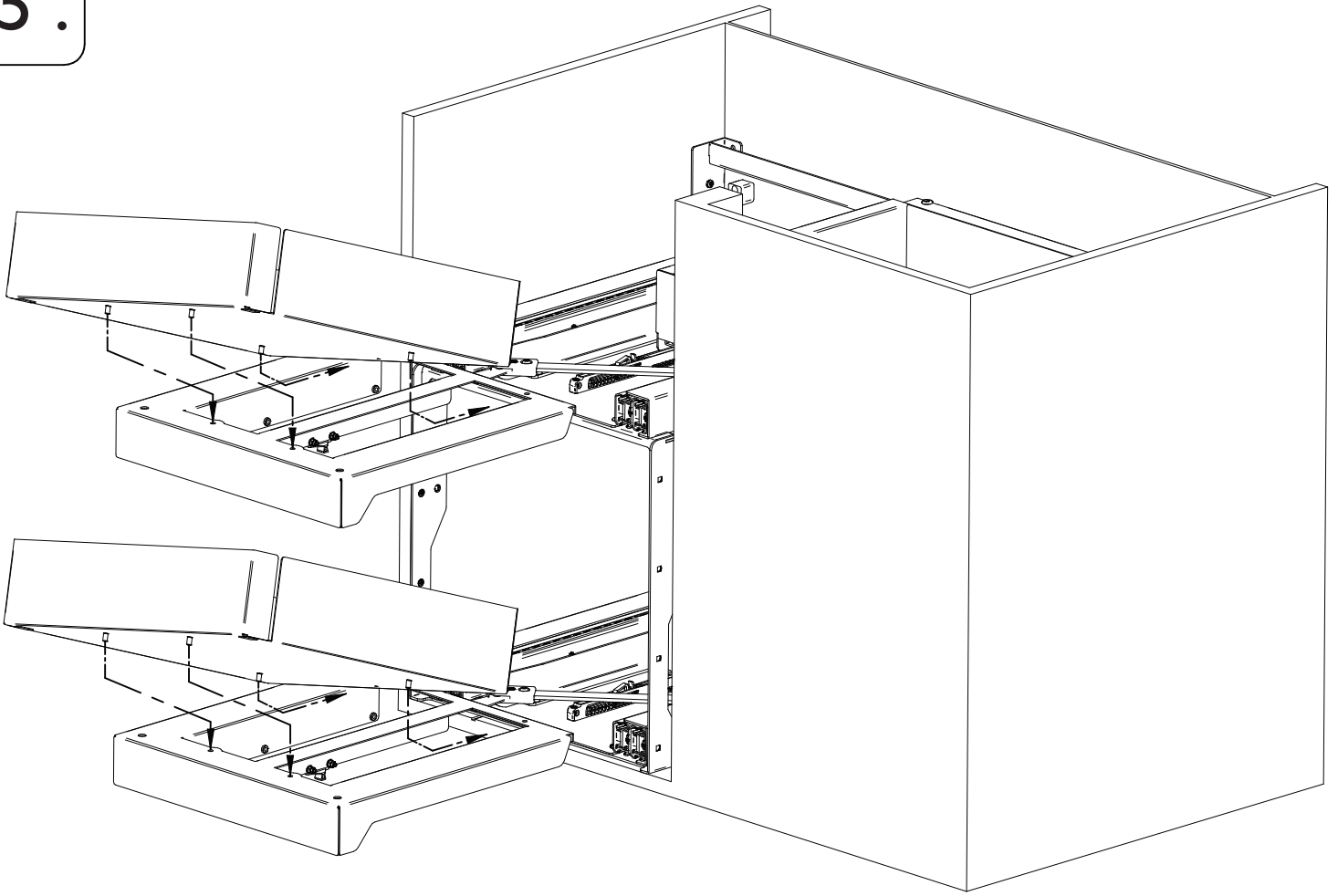
### 3. Right Version



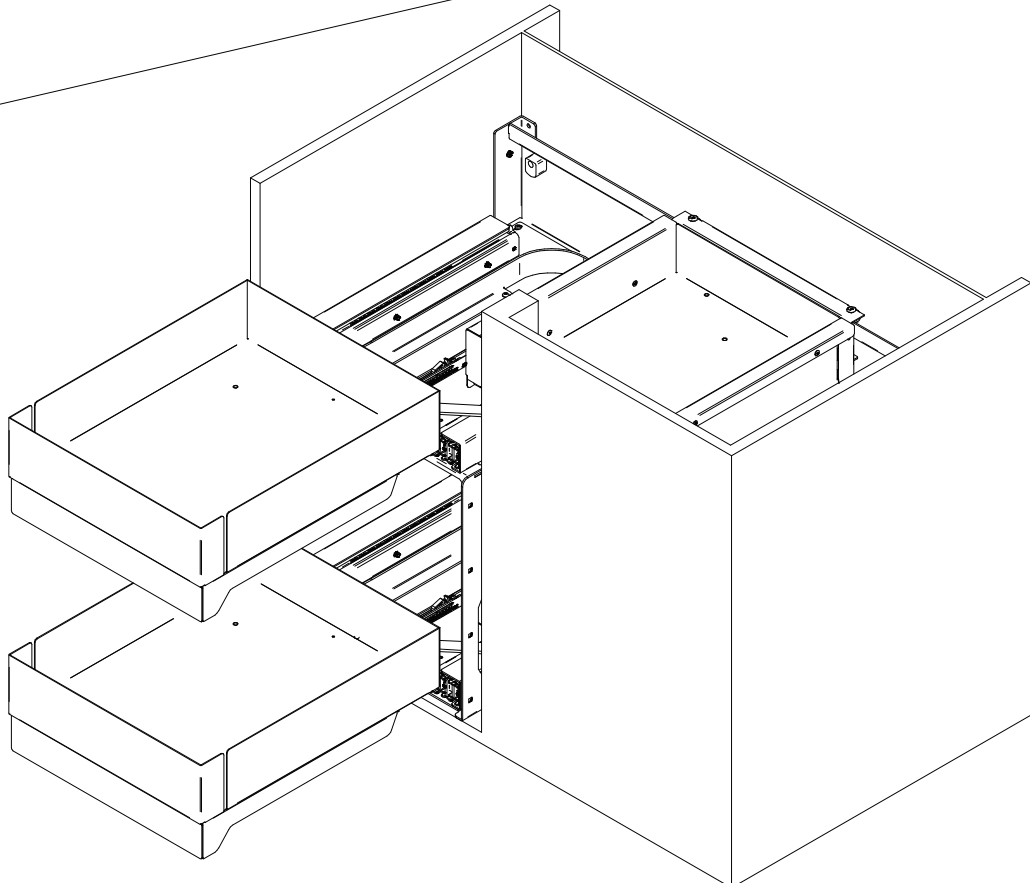
### 4.



5.

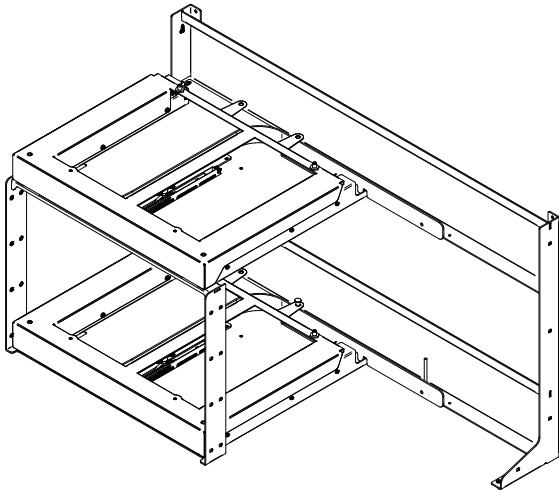


**Clack!**

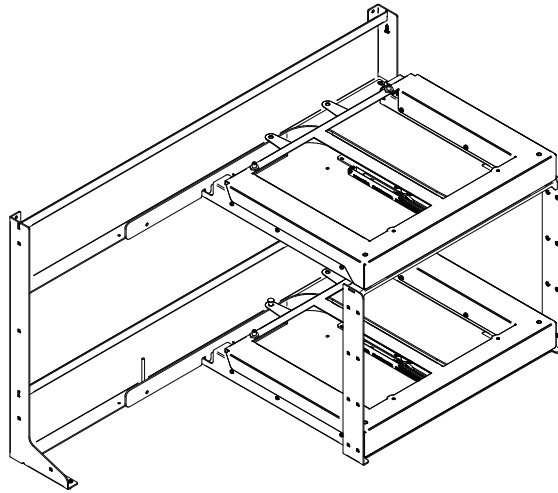


# INSTALLATION INSTRUCTIONS

## Fly Box base mechanism 60



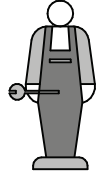
Left hand version



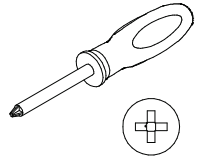
Right hand version



30 min

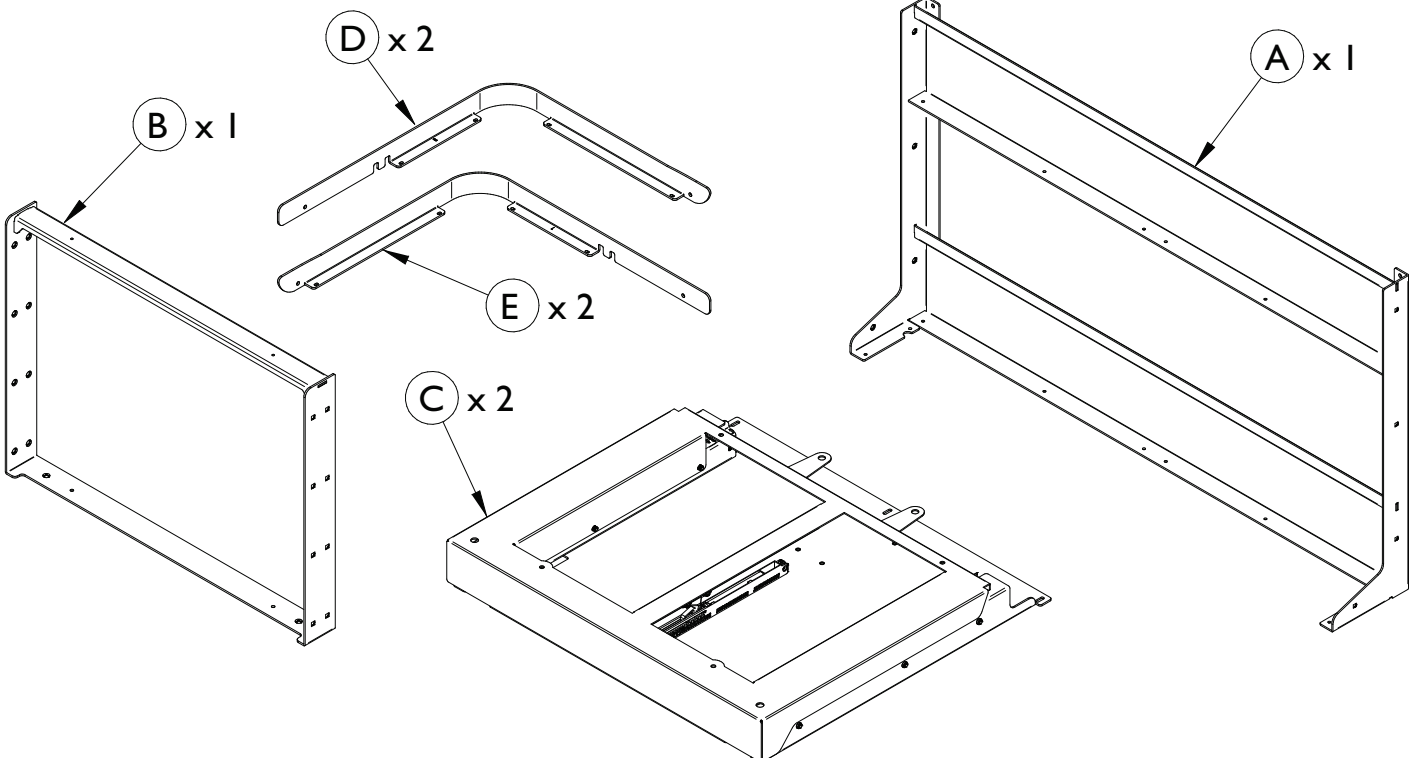


x 1



50 kg

MAX



Ø4 x 16

Ø4 x 16

Ø4 x 20

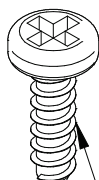
M4 x 8

M4 x 10

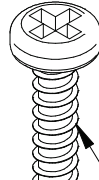
M4



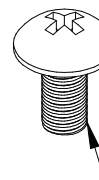
F x 10



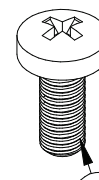
G x 4



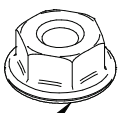
H x 5



L x 10

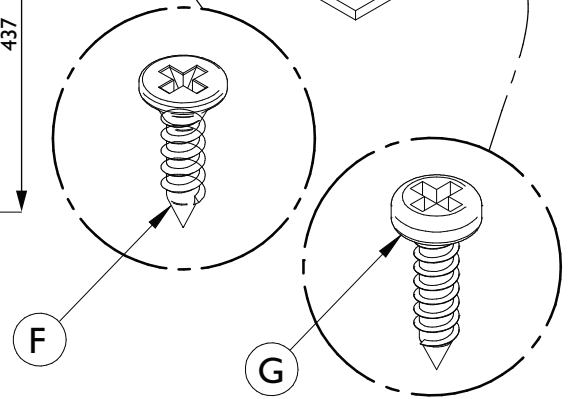
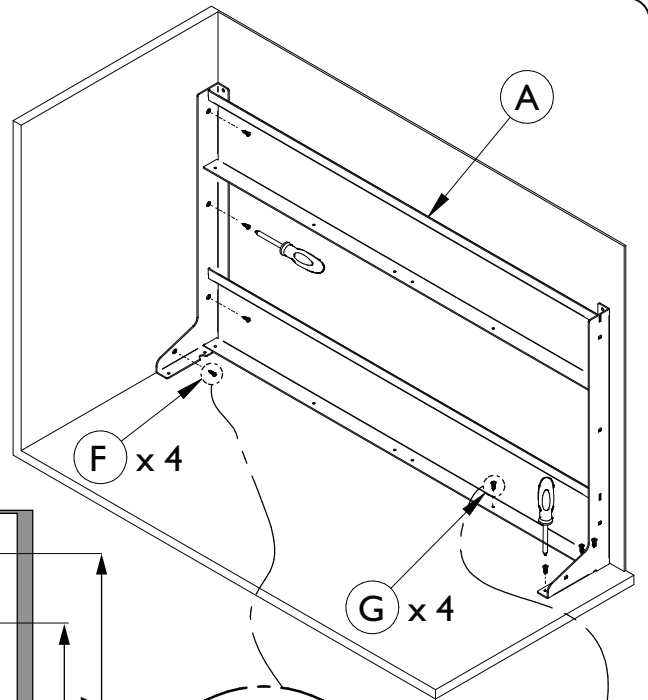
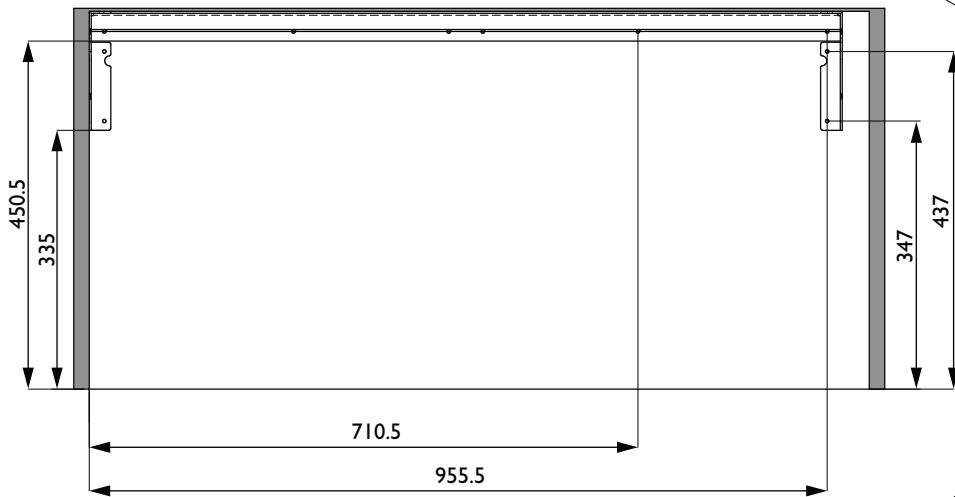
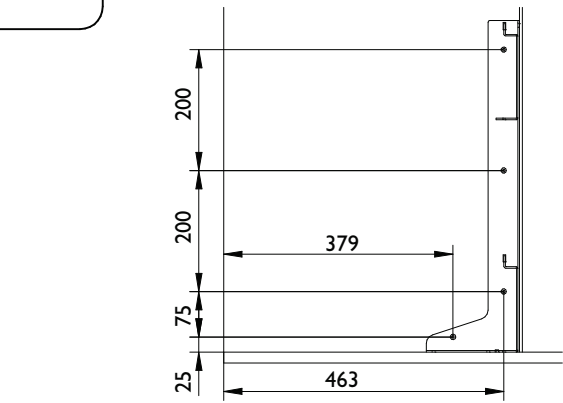


M x 3

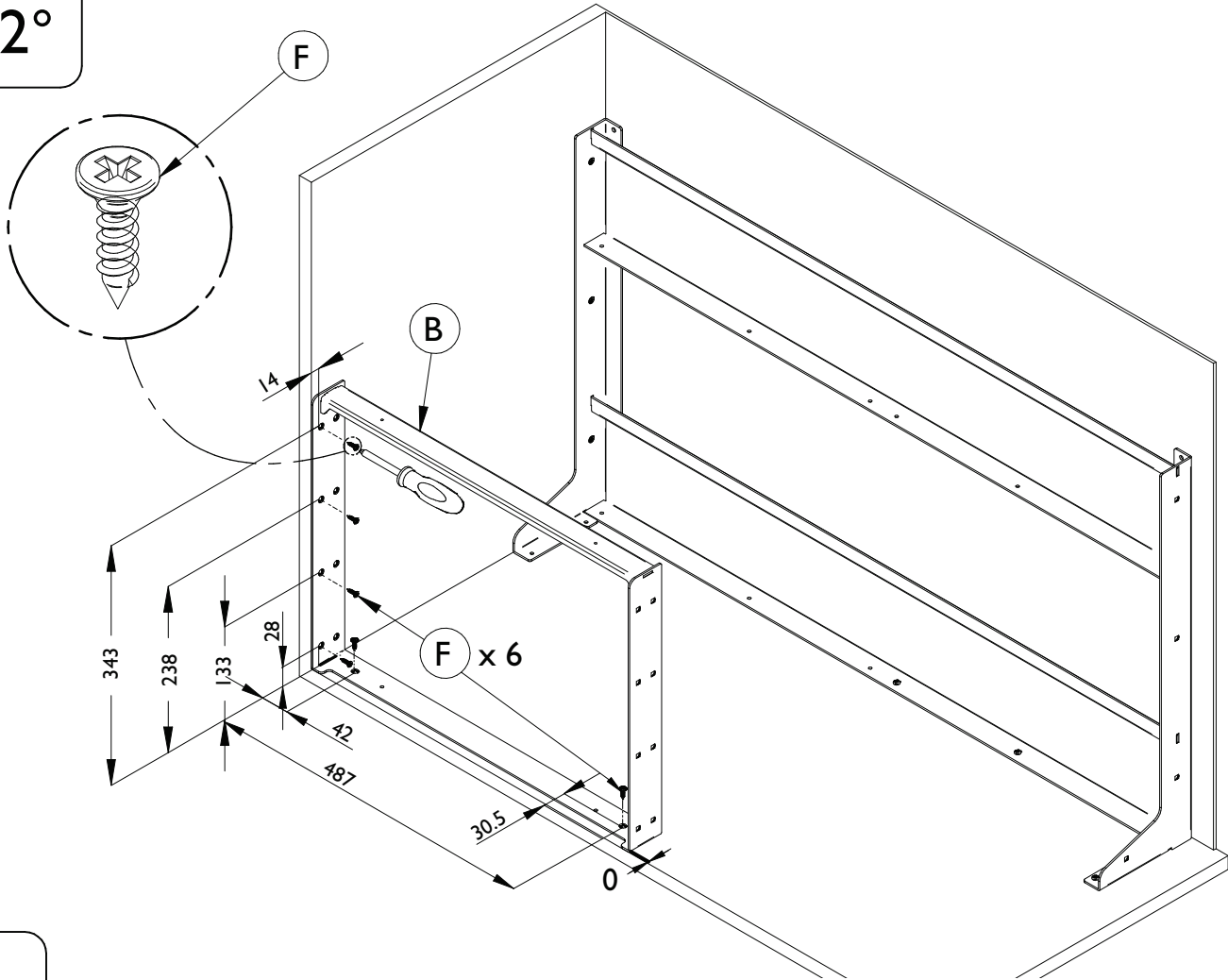


N x 3

1° Left hand version

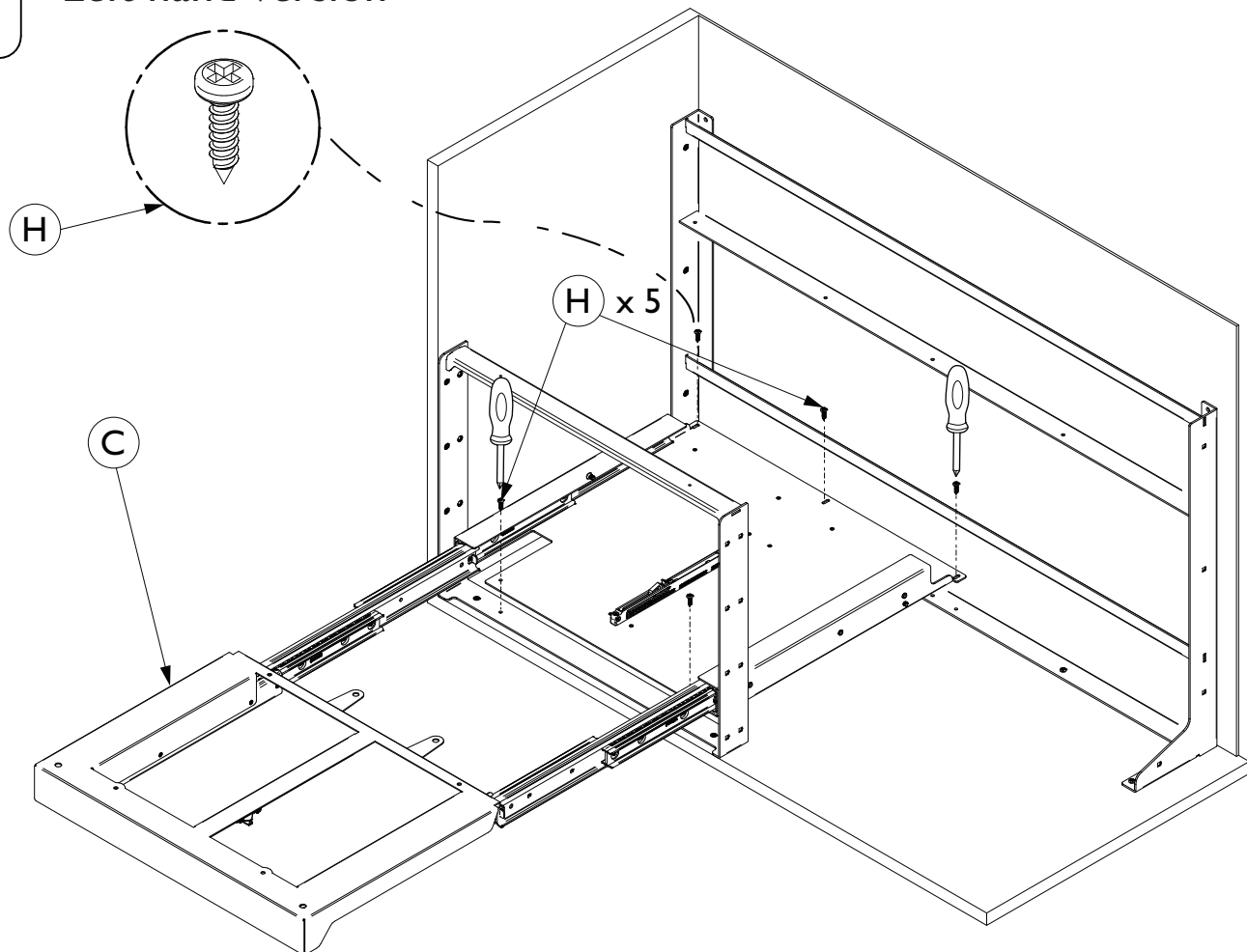


2°

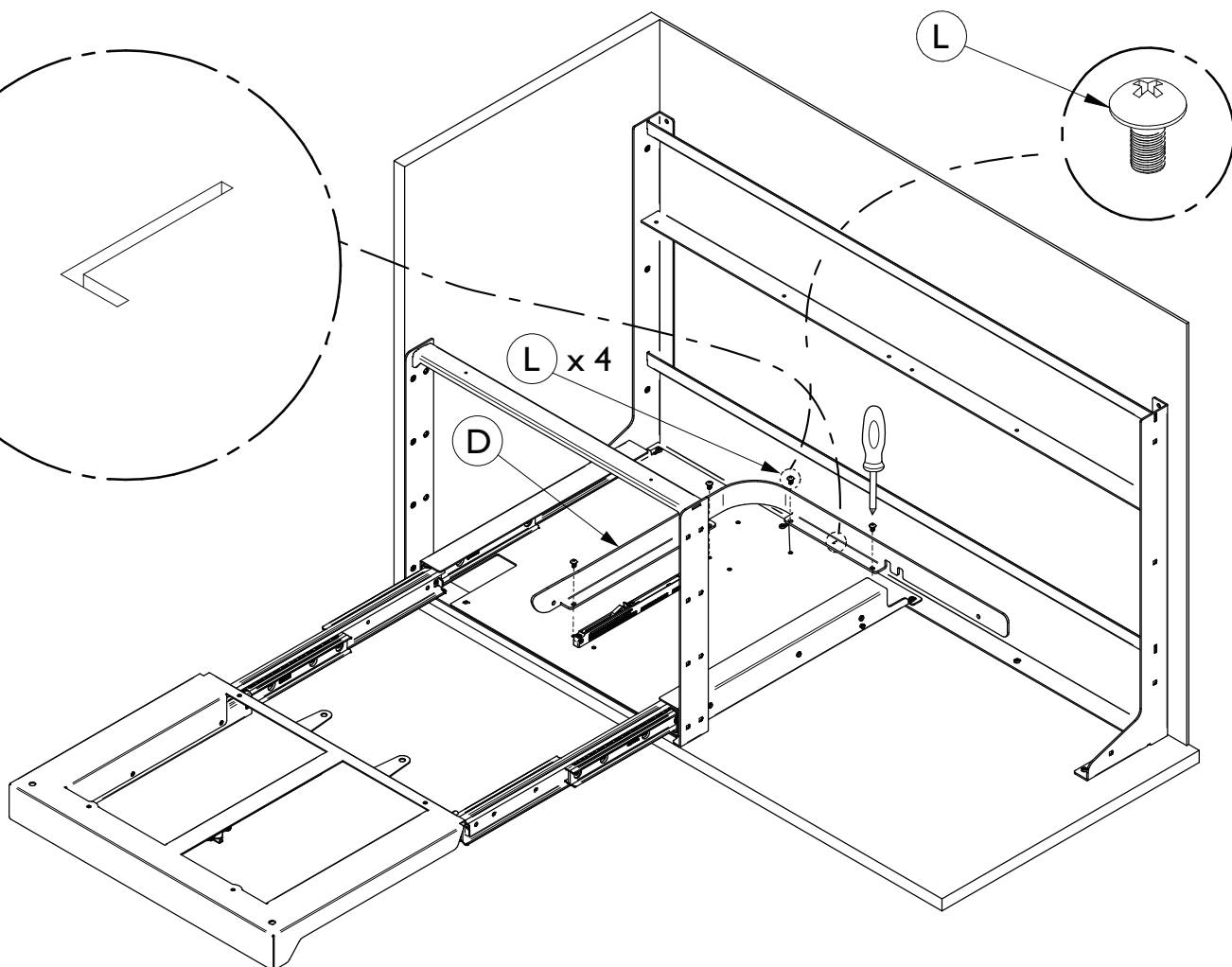
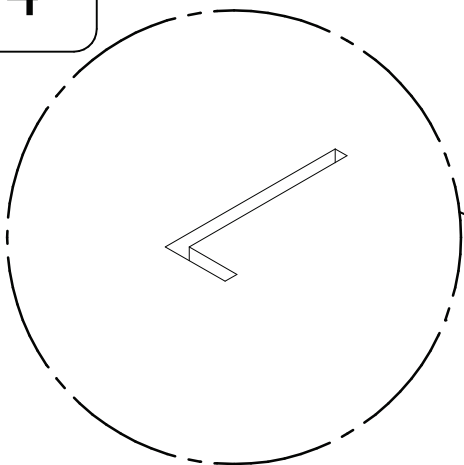


3°

Left hand version

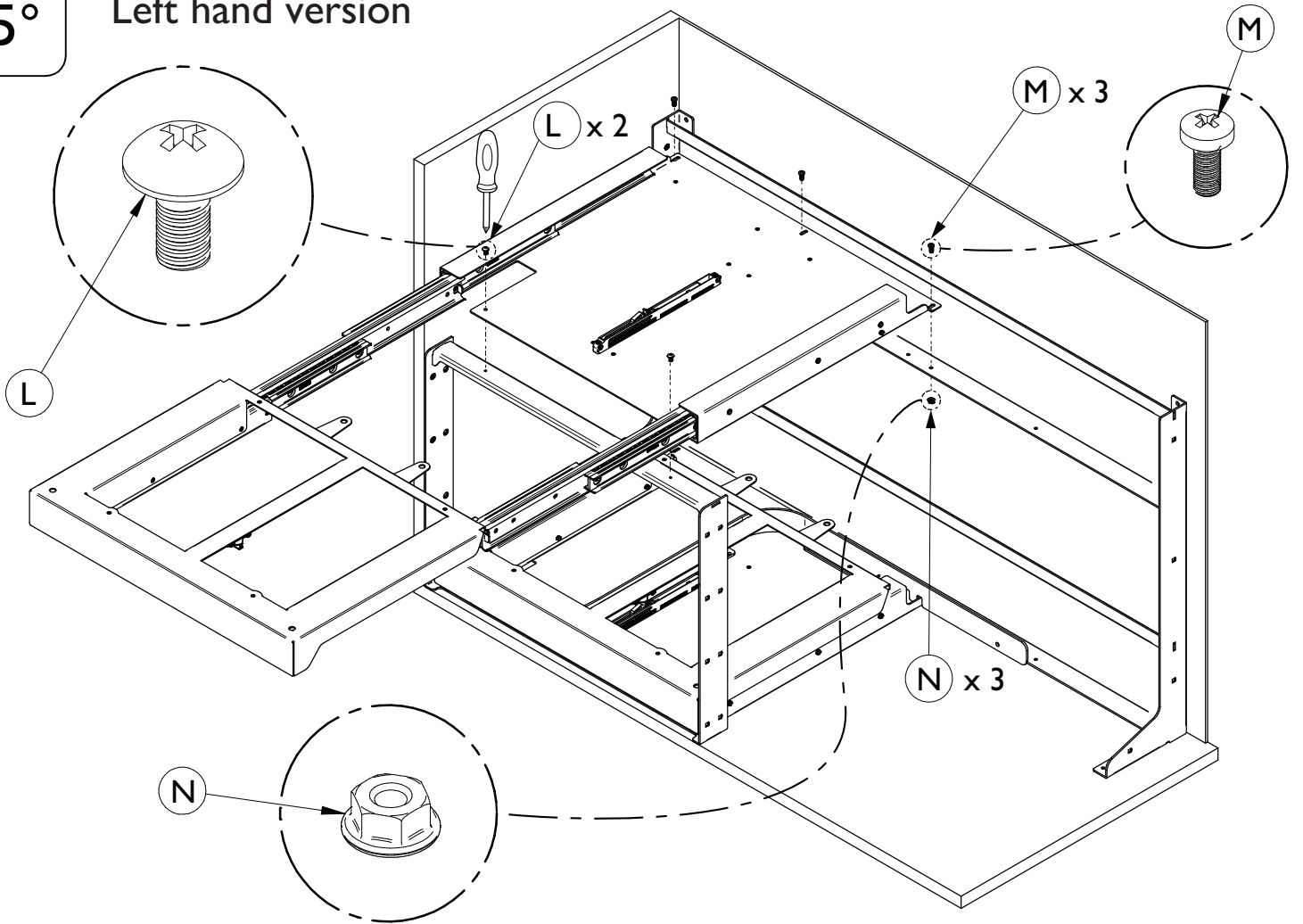


4°

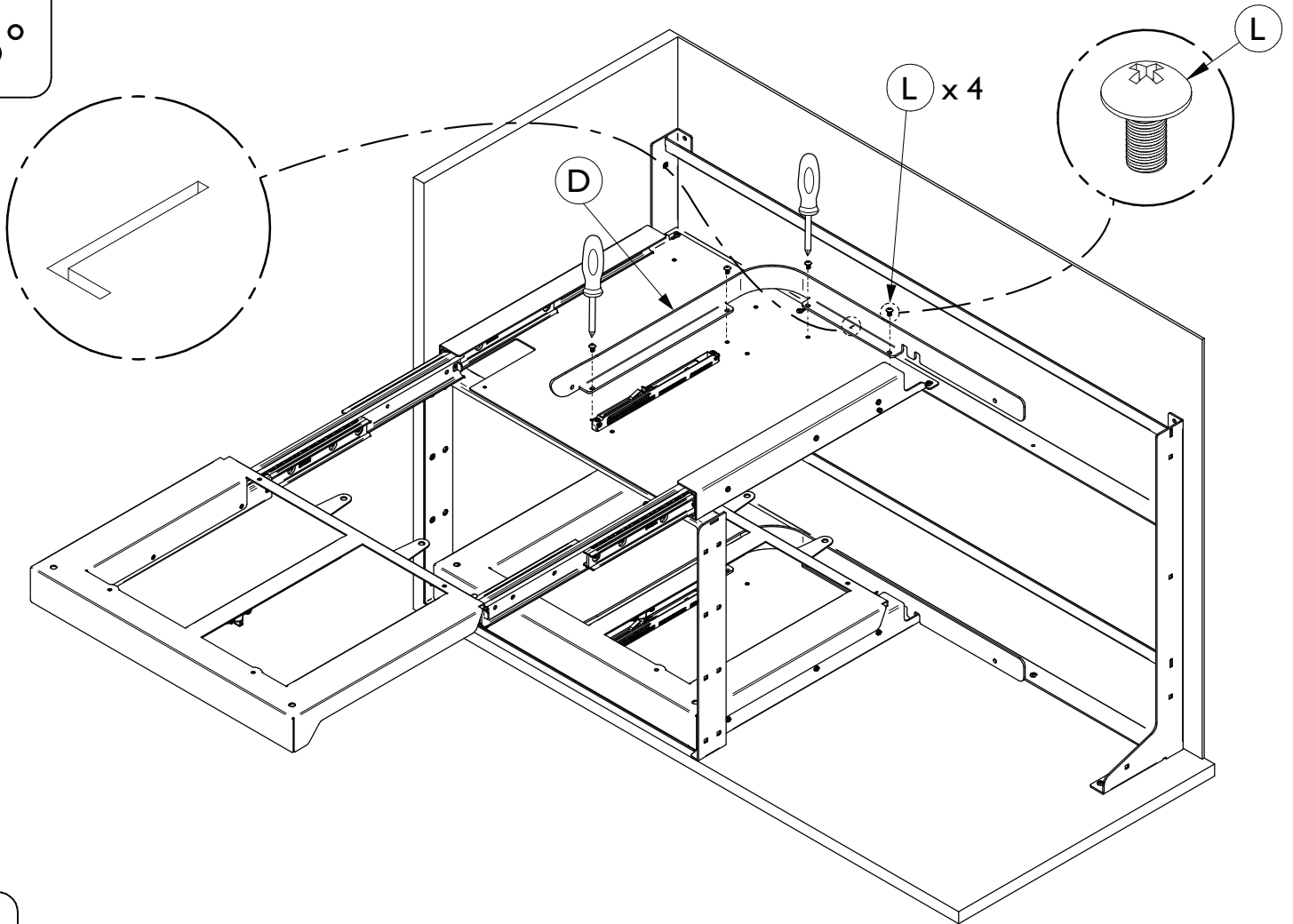


5°

Left hand version



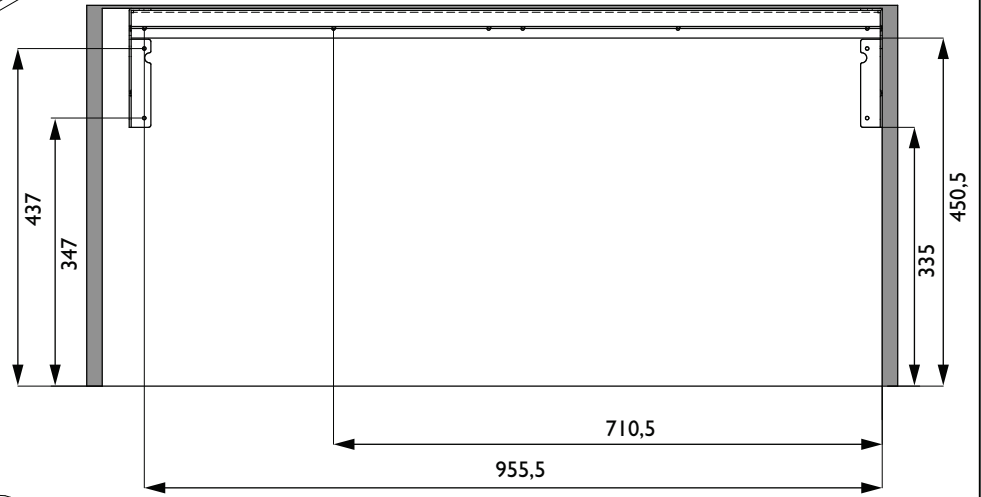
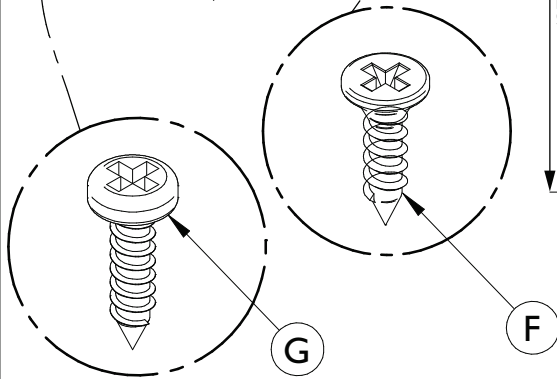
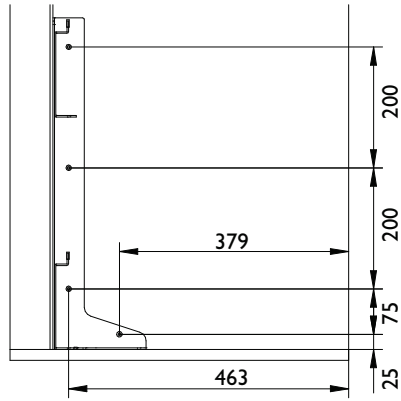
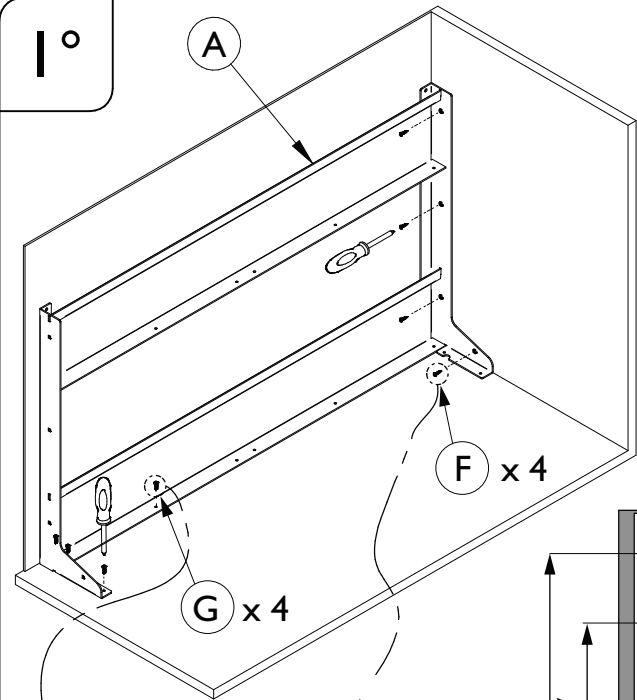
6°



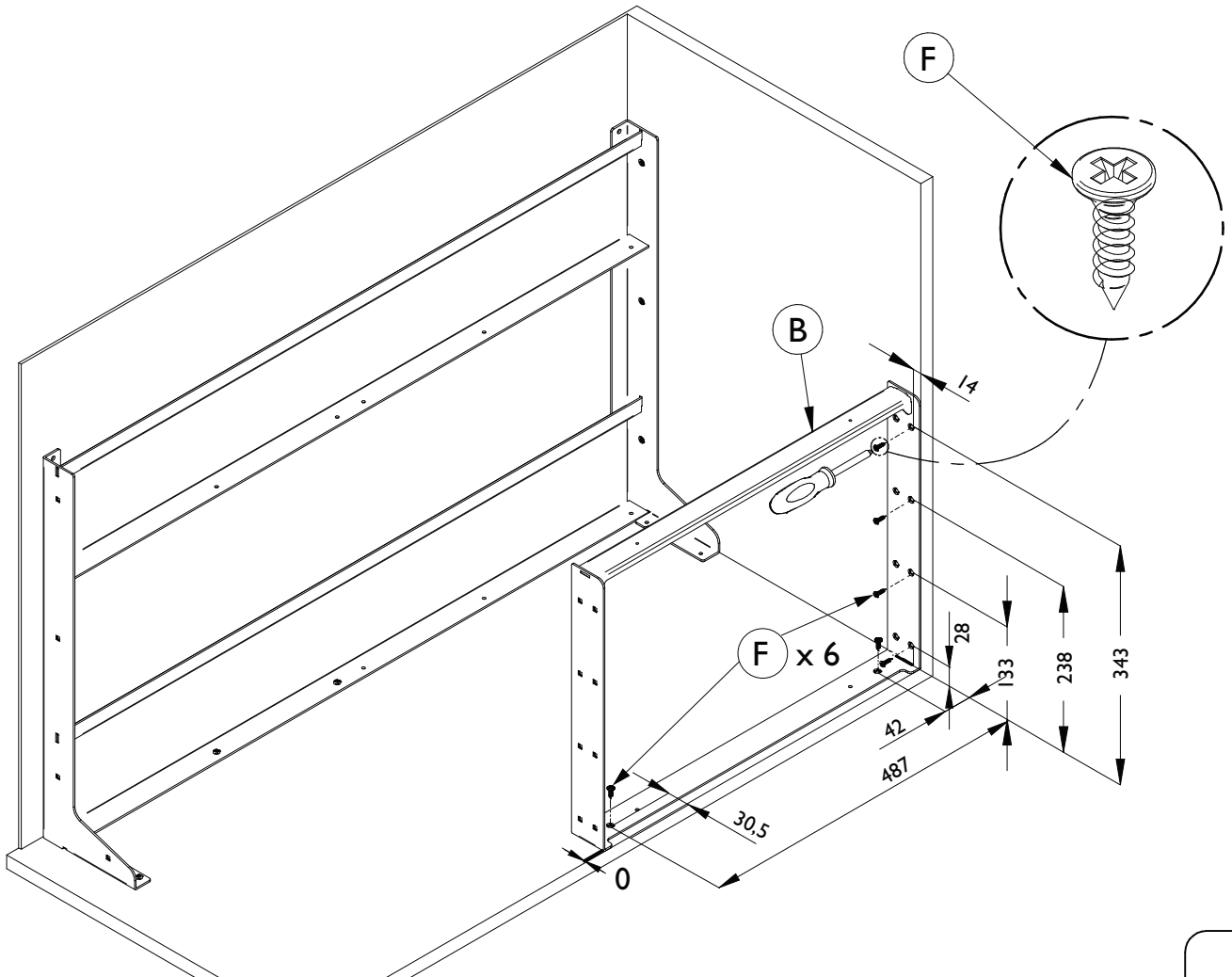


1°

Right hand version

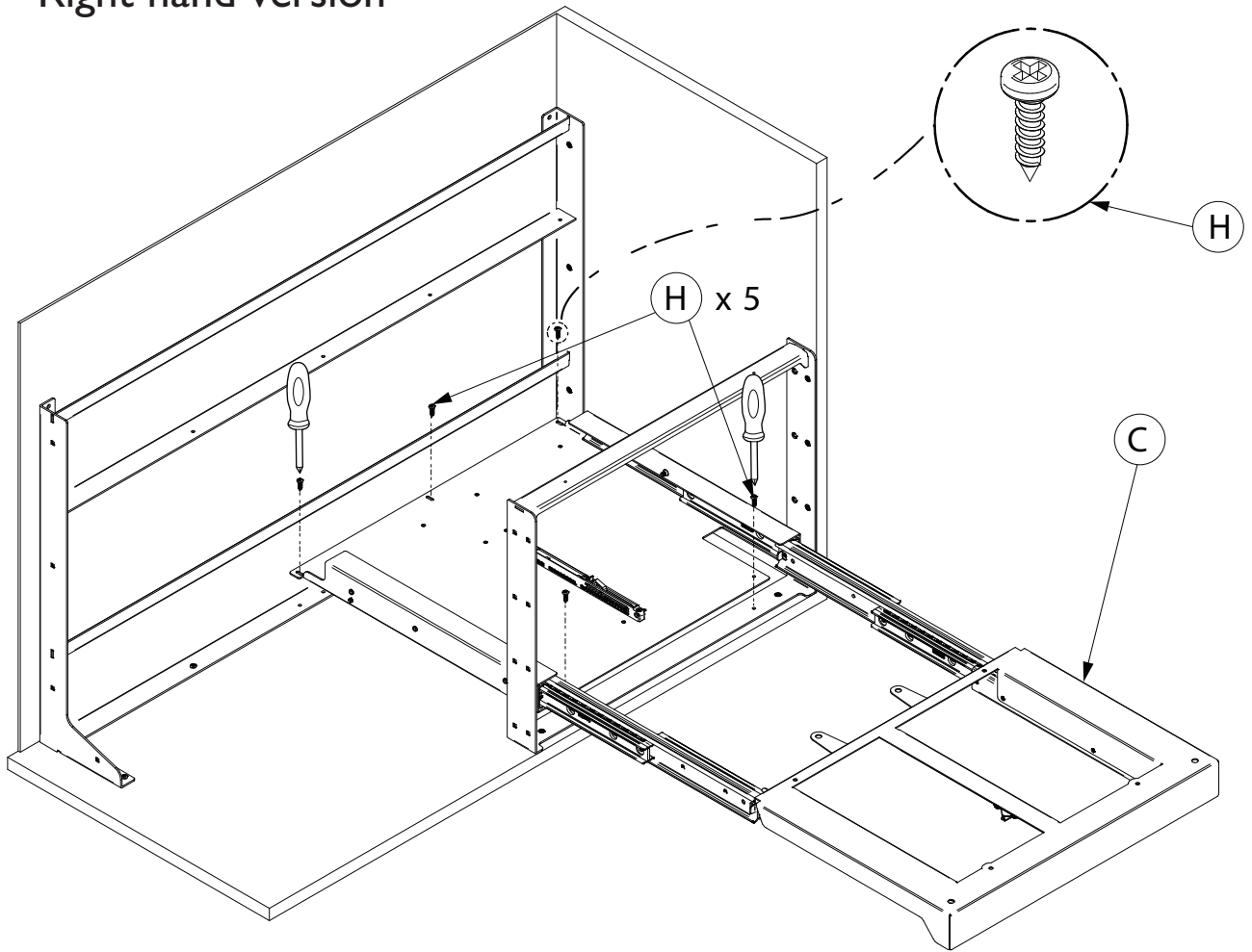


2°

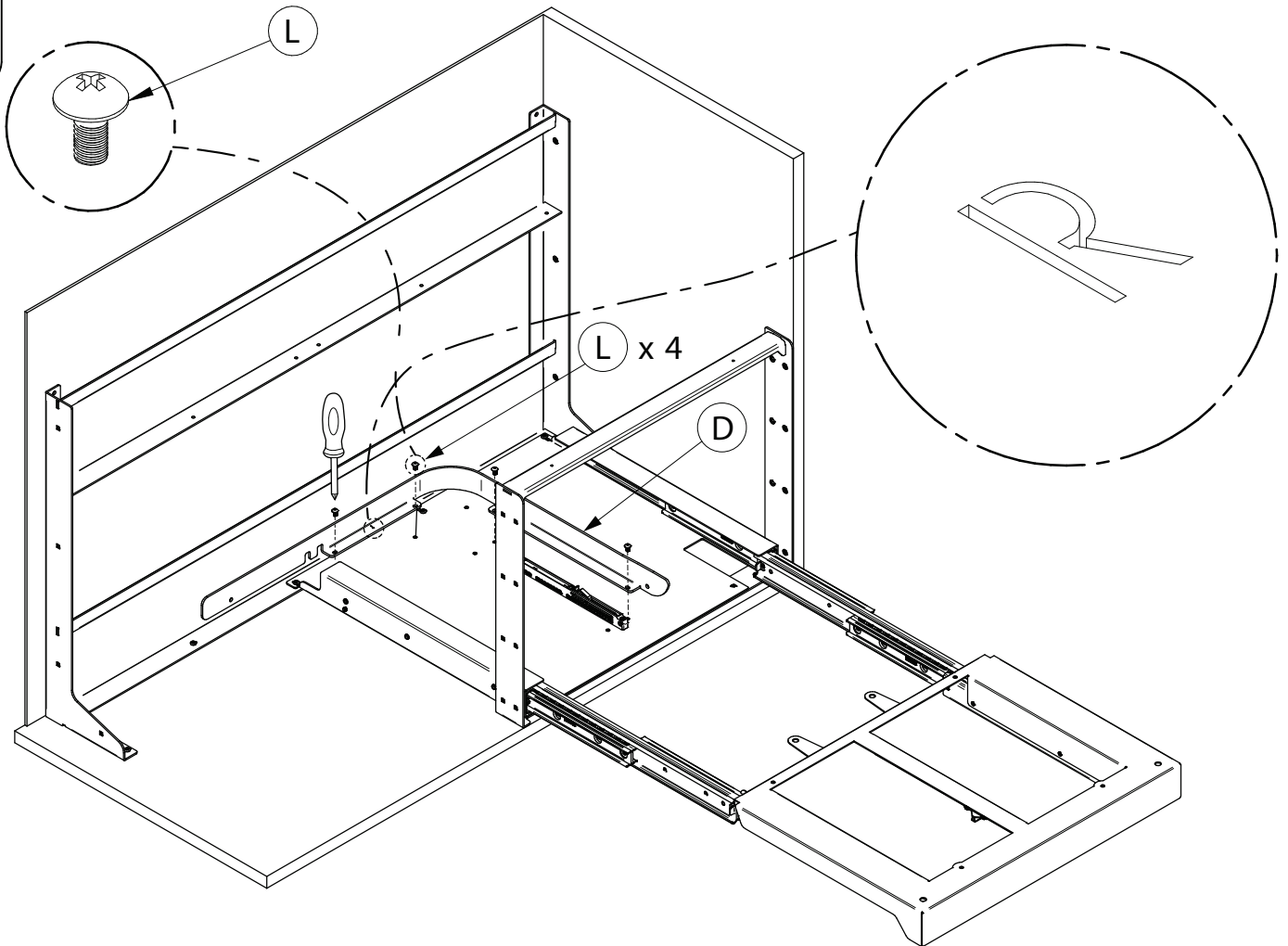


3°

Right hand version



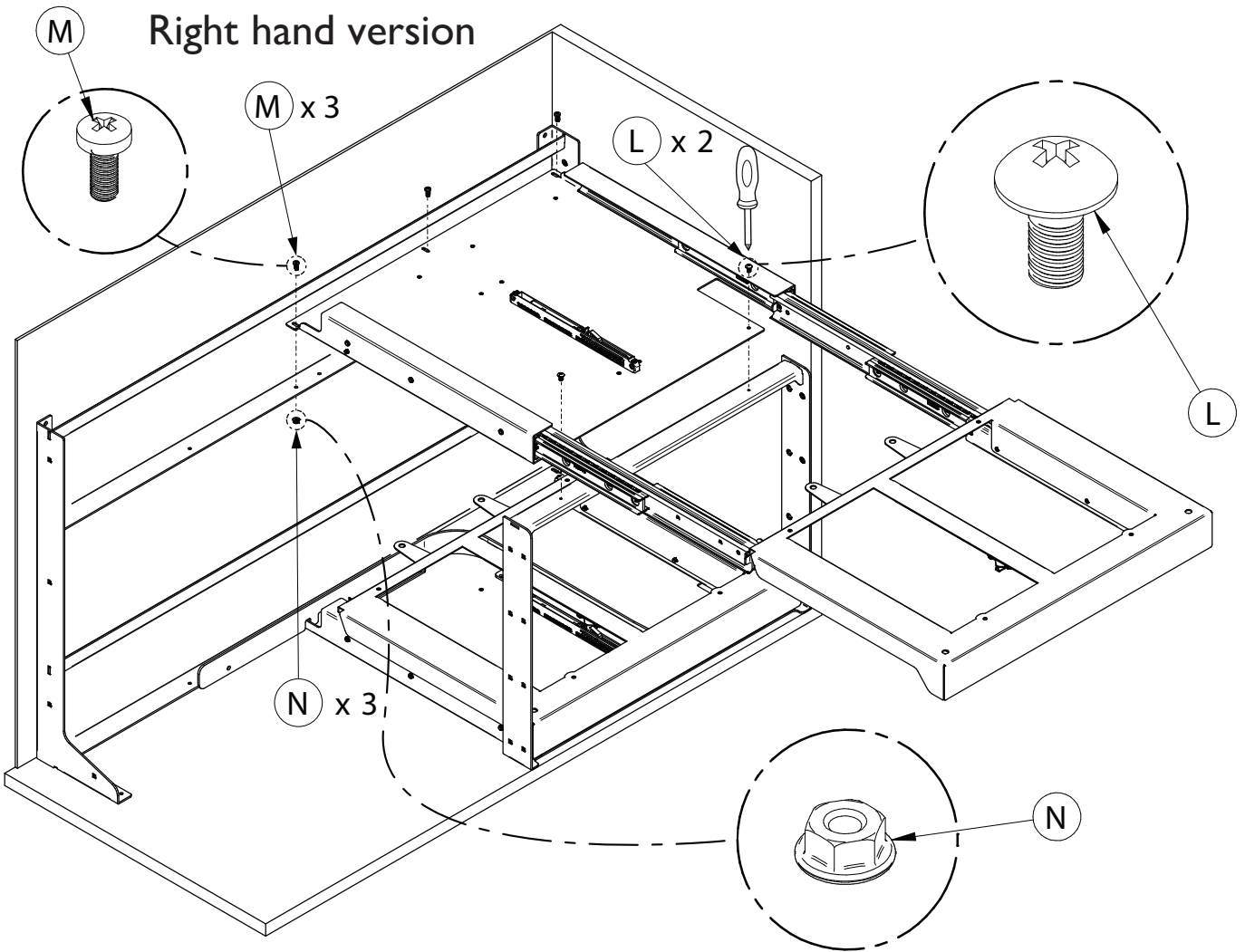
4°



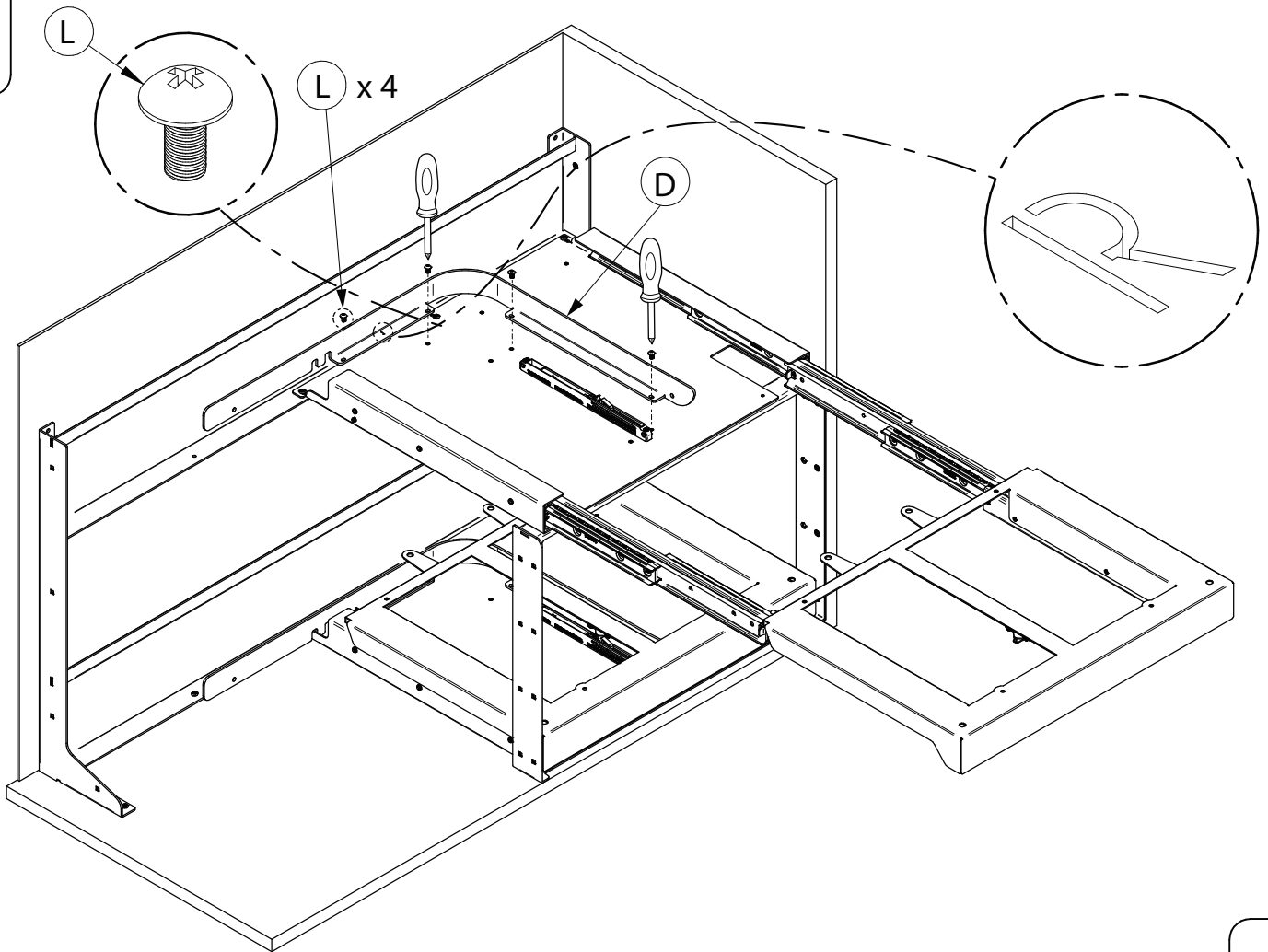


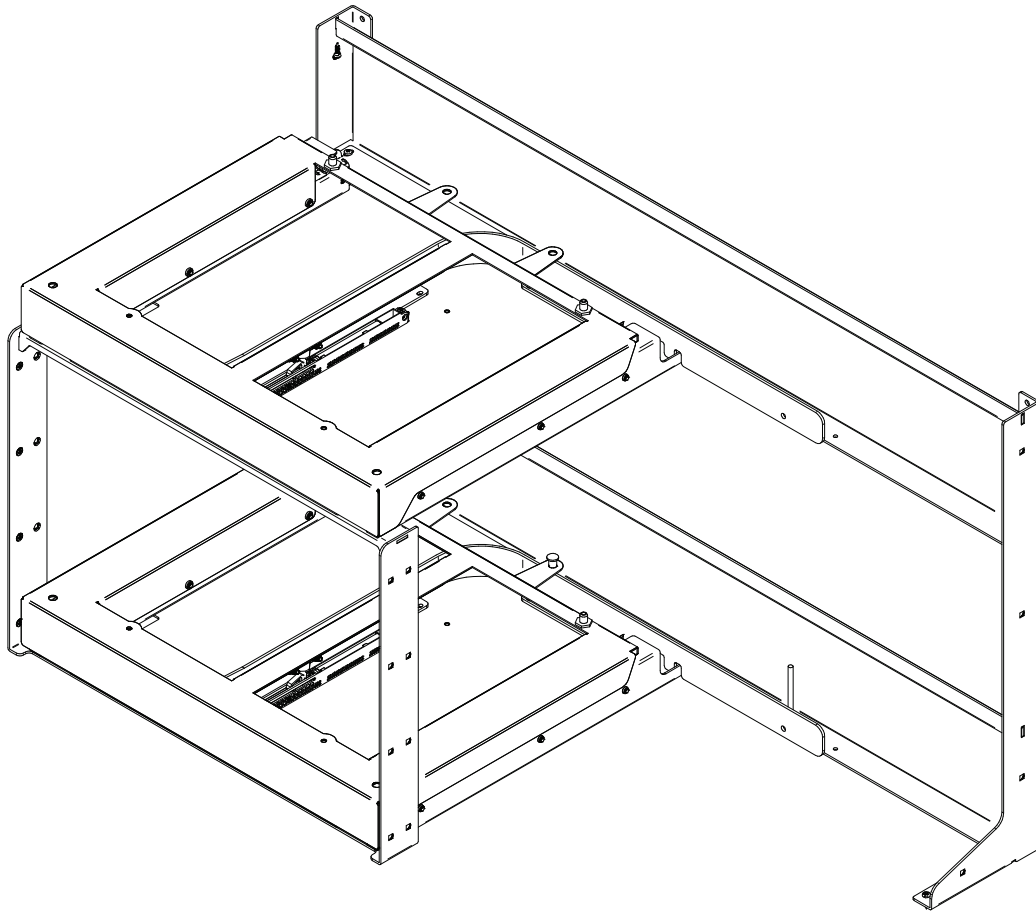
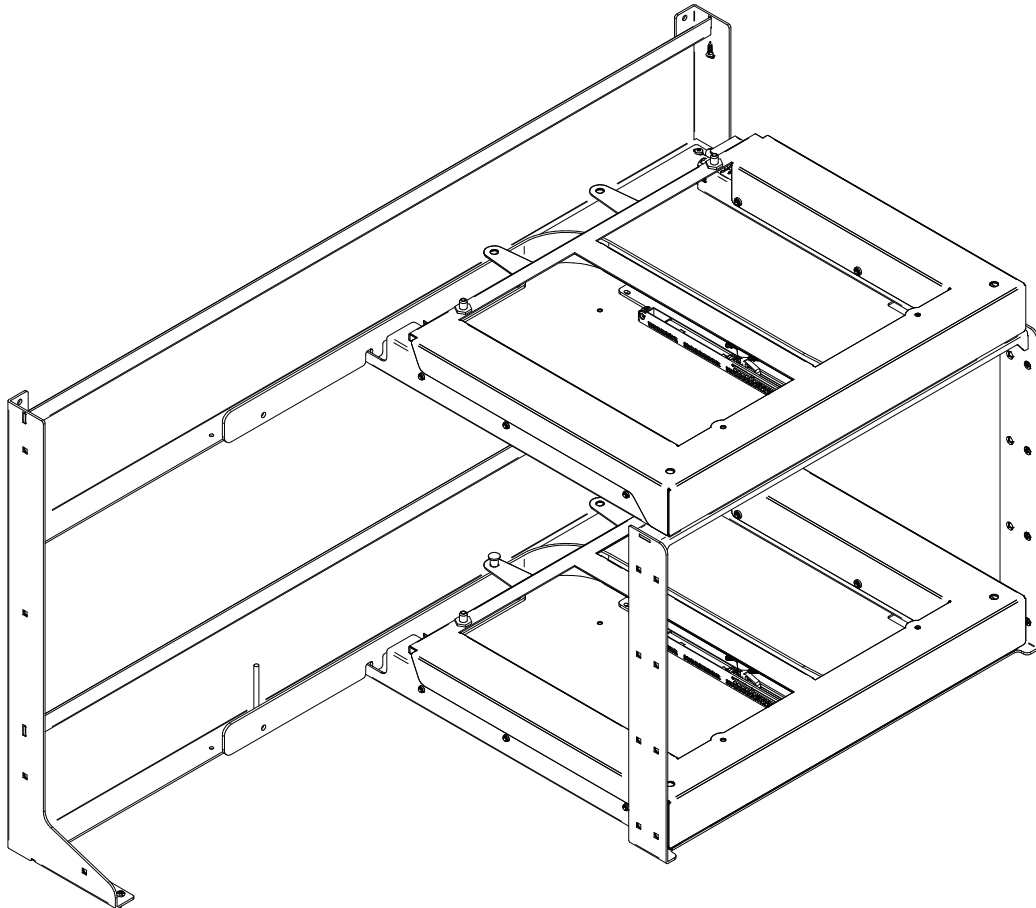
5°

Right hand version



6°



**L****Left hand version****R****Right hand version**

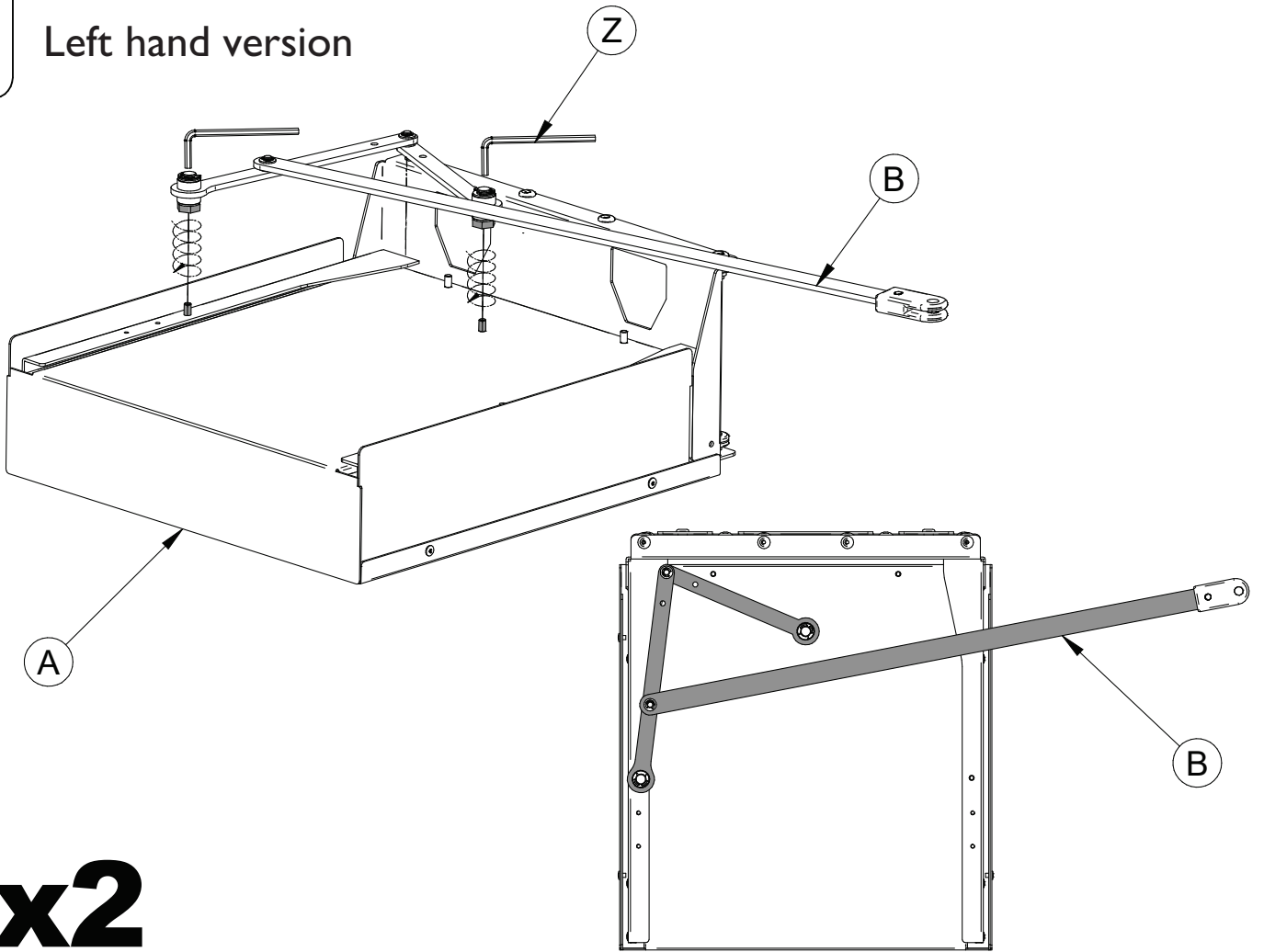
# Flybox 60 Tray Instructions

<p>15 kg MAX</p> <p>10 kg MAX</p> <p>Left hand</p> <p>15 kg MAX</p> <p>10 kg MAX</p>		<p>10 kg MAX</p> <p>15 kg MAX</p> <p>Right hand</p> <p>10 kg MAX</p> <p>15 kg MAX</p>		15 min
				x 1
				15
				50 kg MAX

**A** x 2  
**B** x 2  
**C** x 2  
**E** x 2  
**F** x 2  
**D** x 2  
**L** x 4  
**Z**  
**H** x 4  
**G** x 4  
**M5 x 10**  
**M4 x 08**

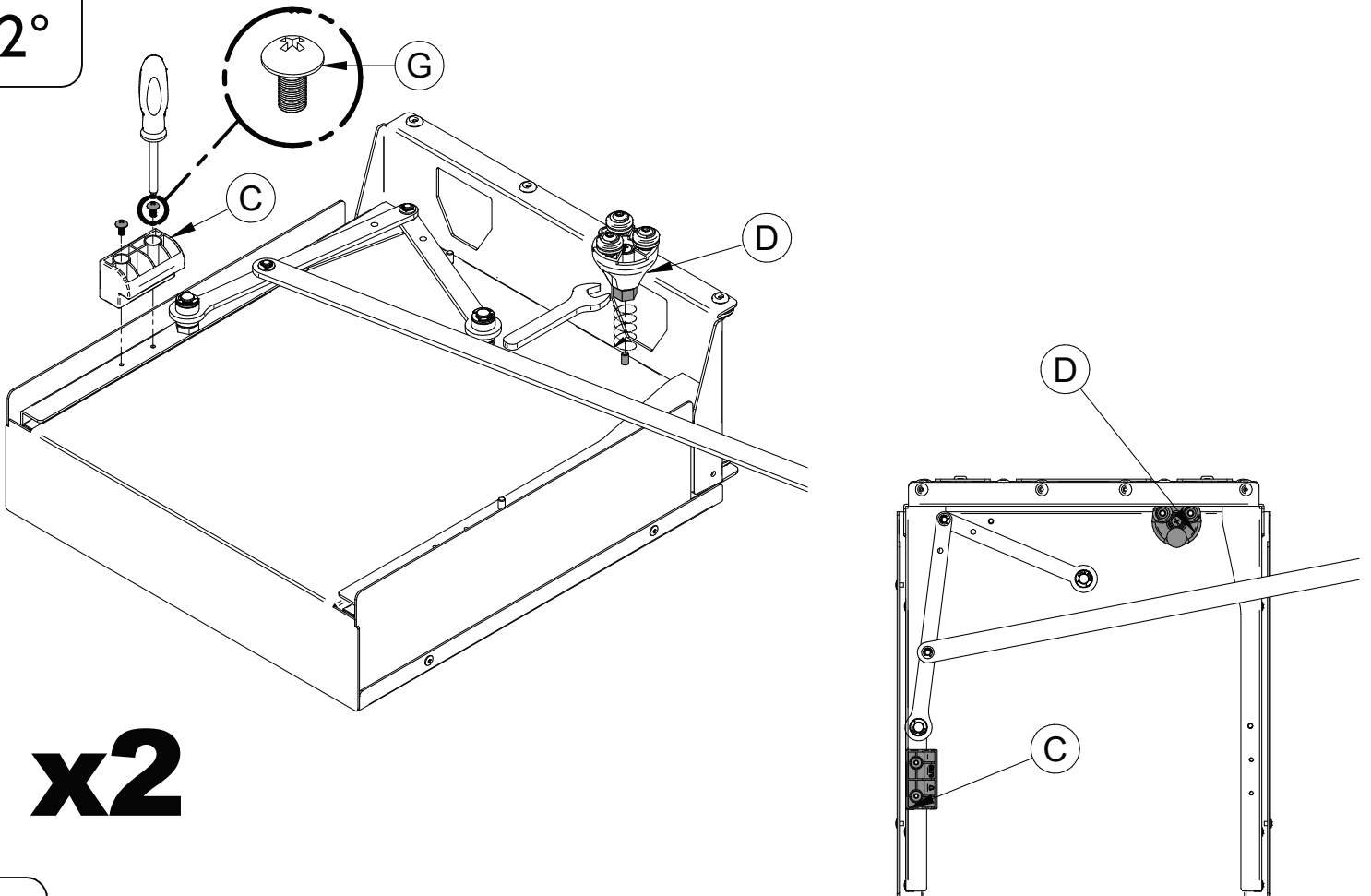
1°

Left hand version



**x2**

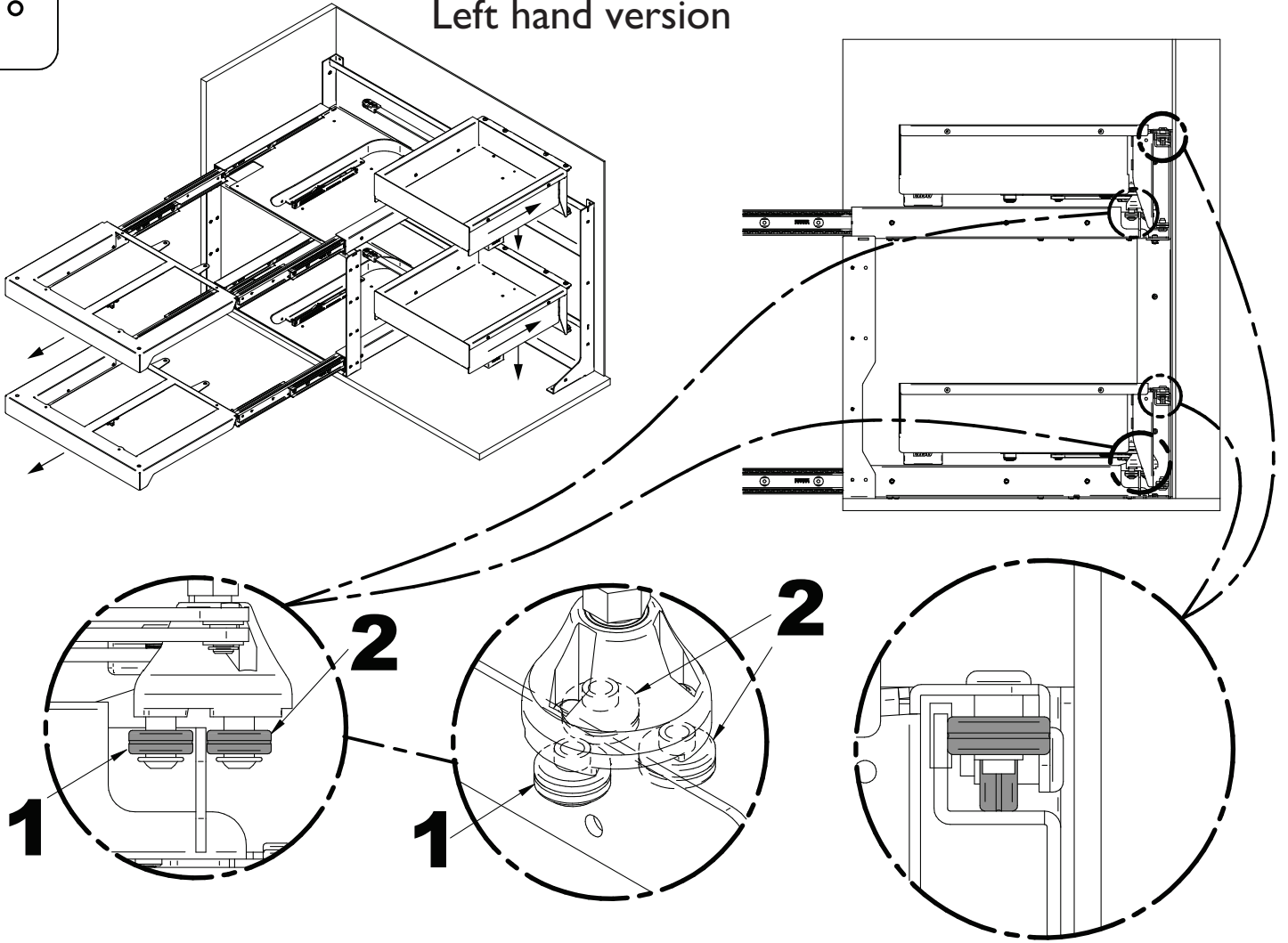
2°



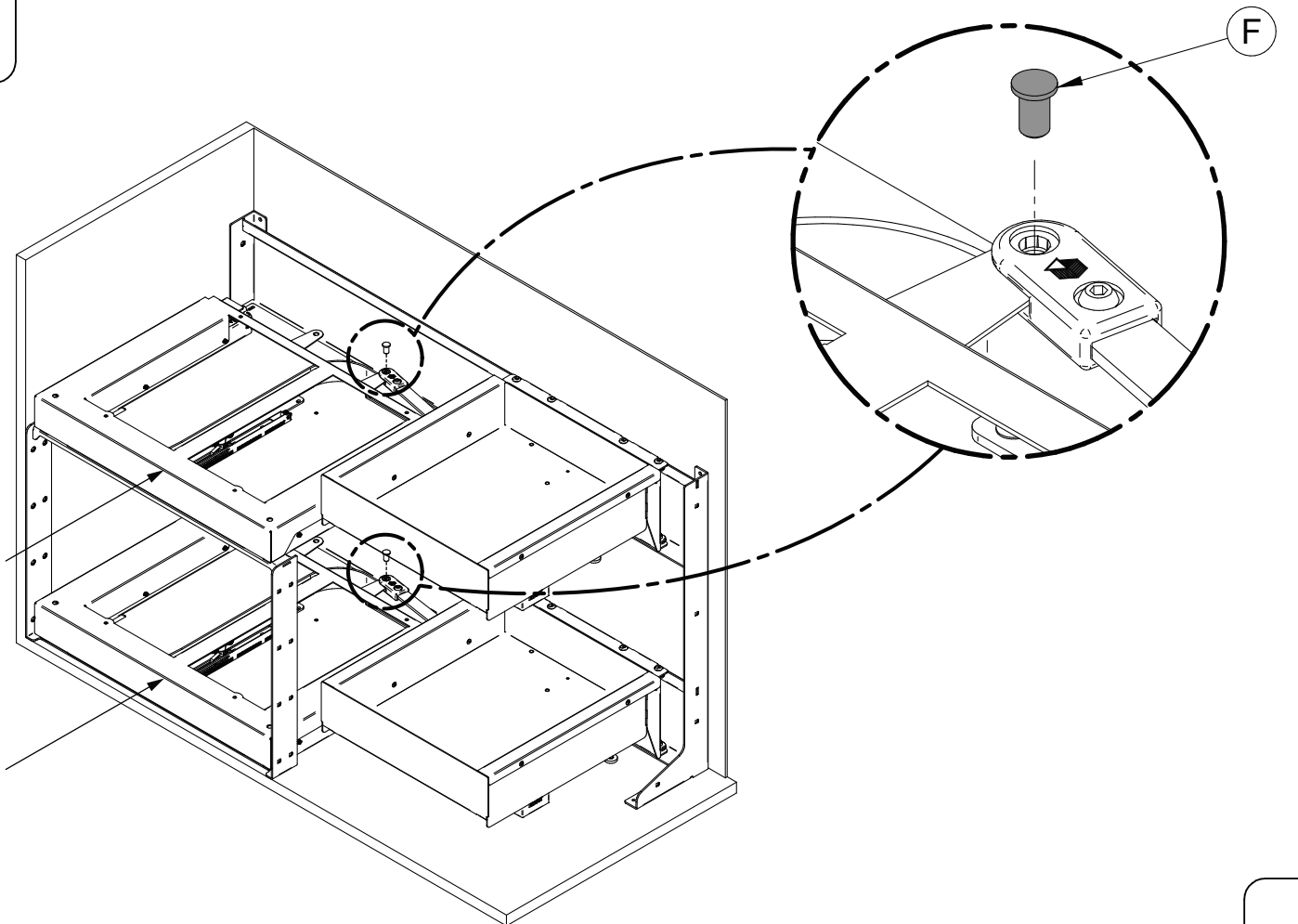
**x2**

3°

Left hand version

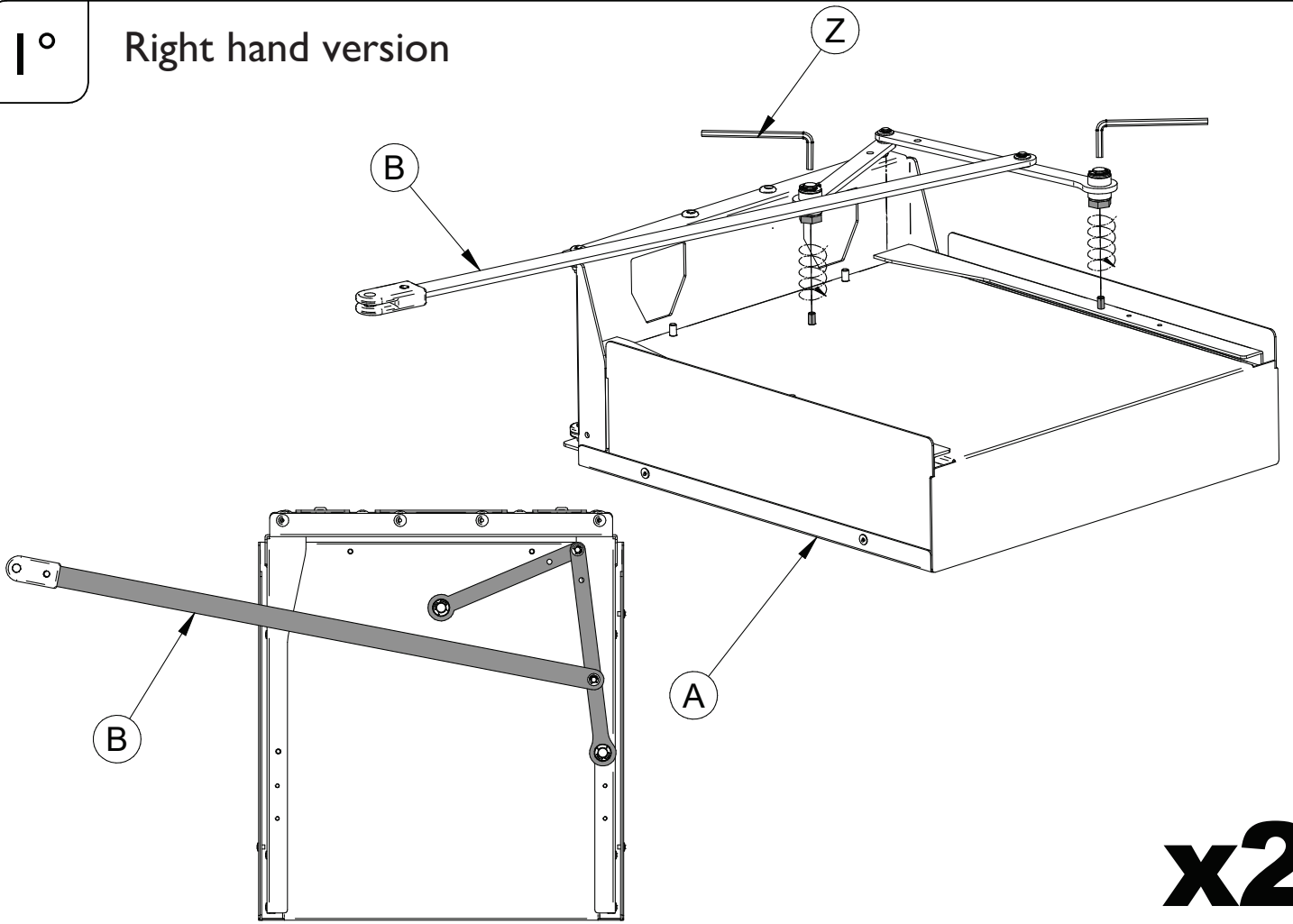


4°

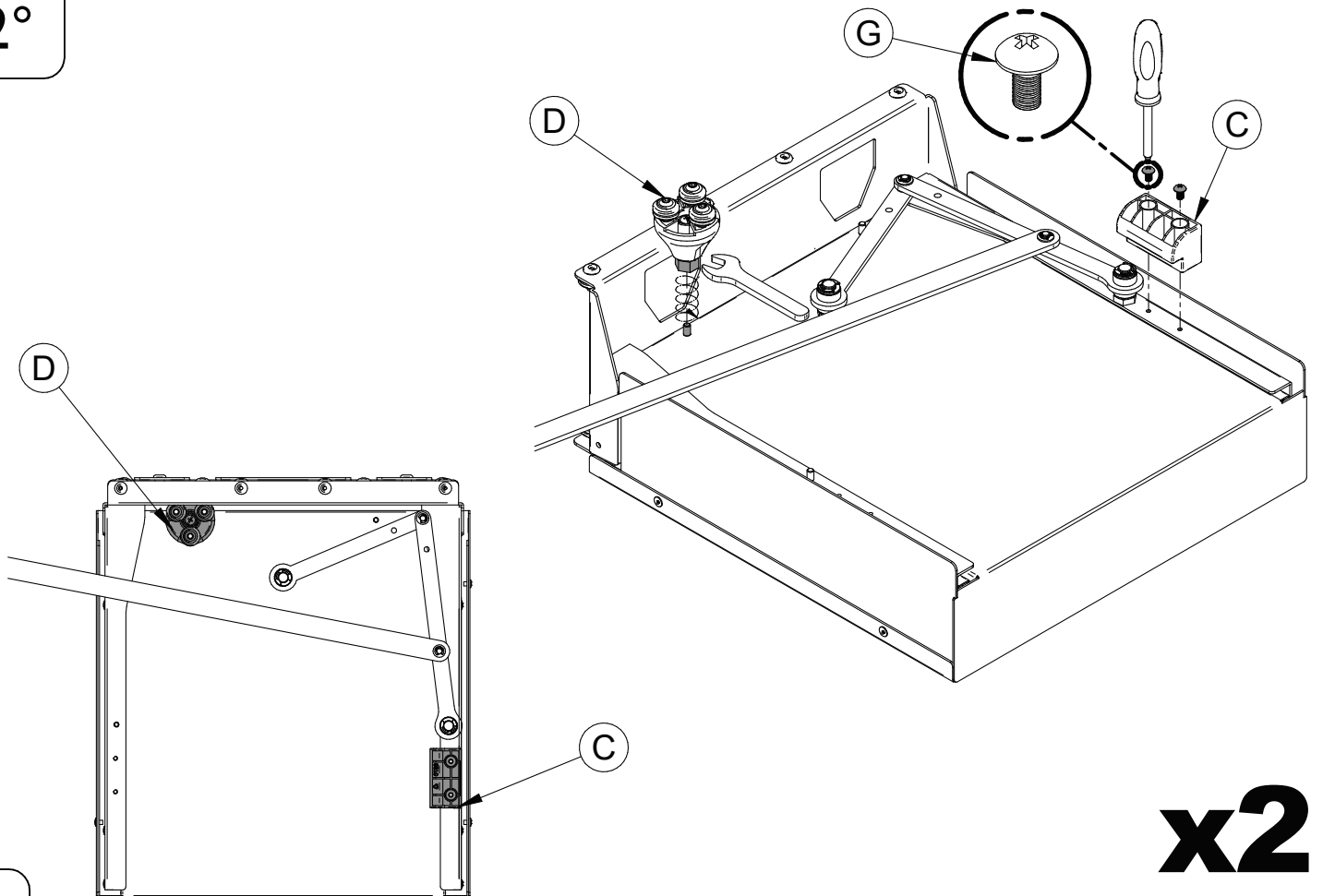


1°

Right hand version

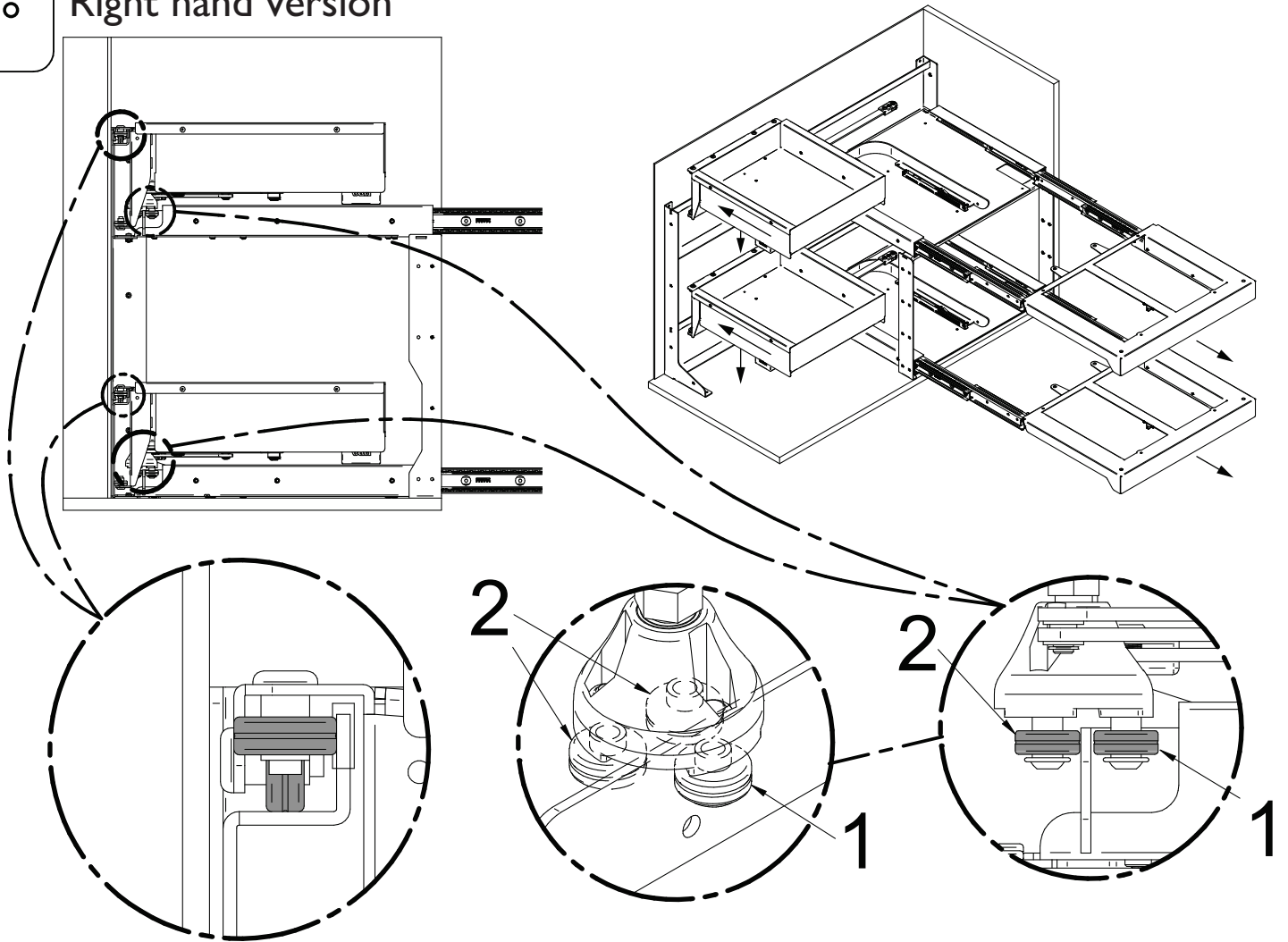


2°

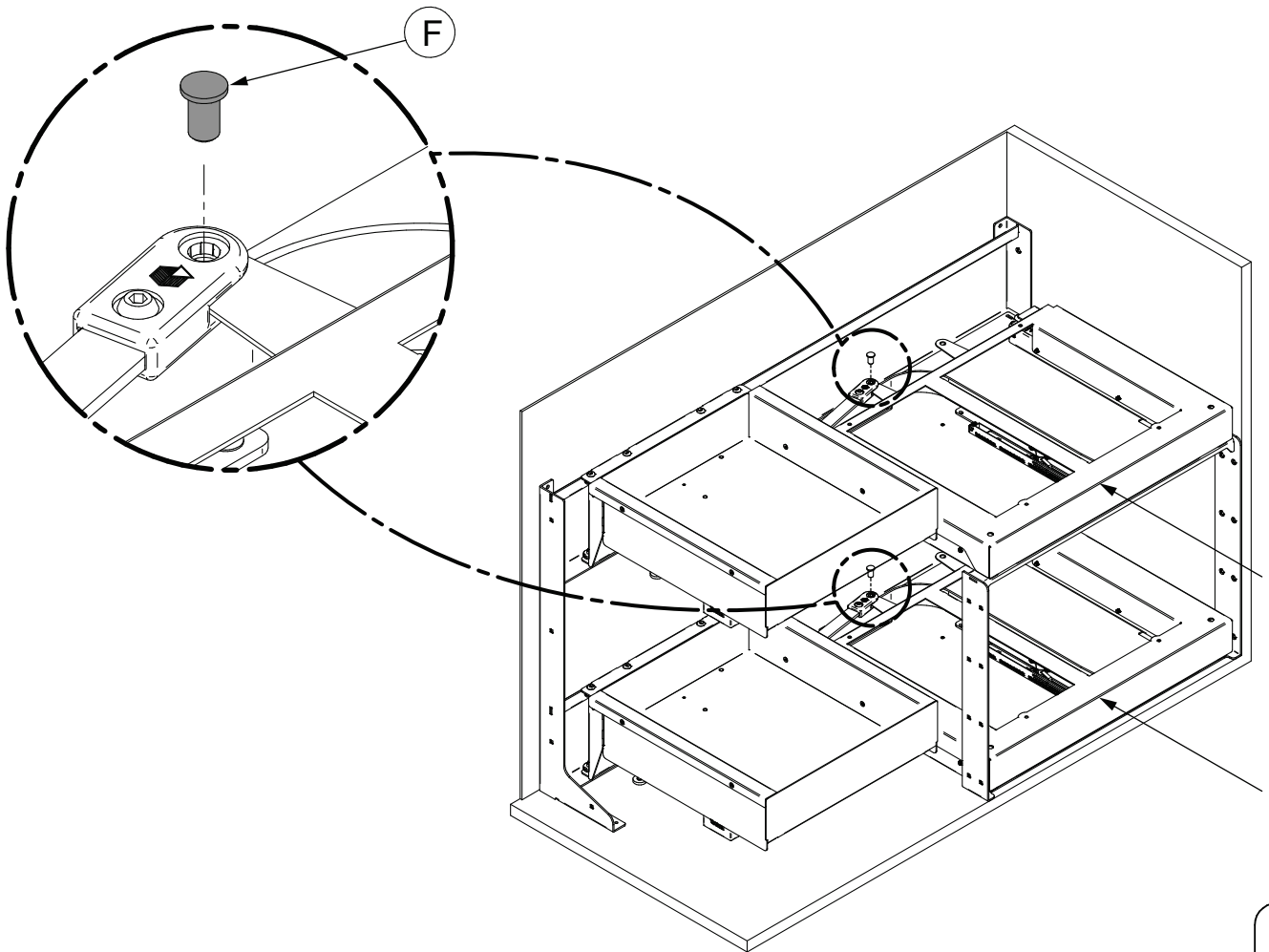


3°

Right hand version

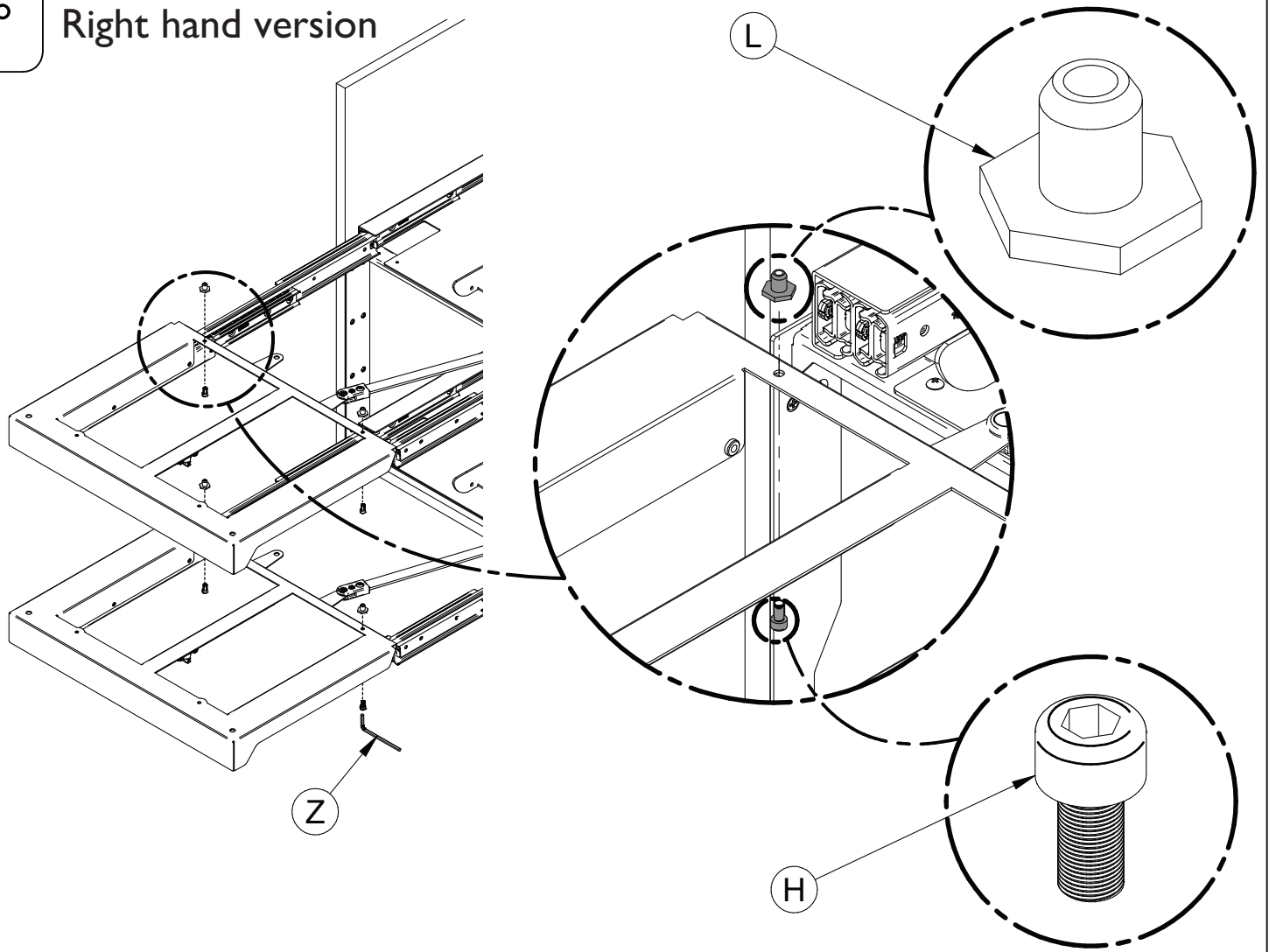


4°

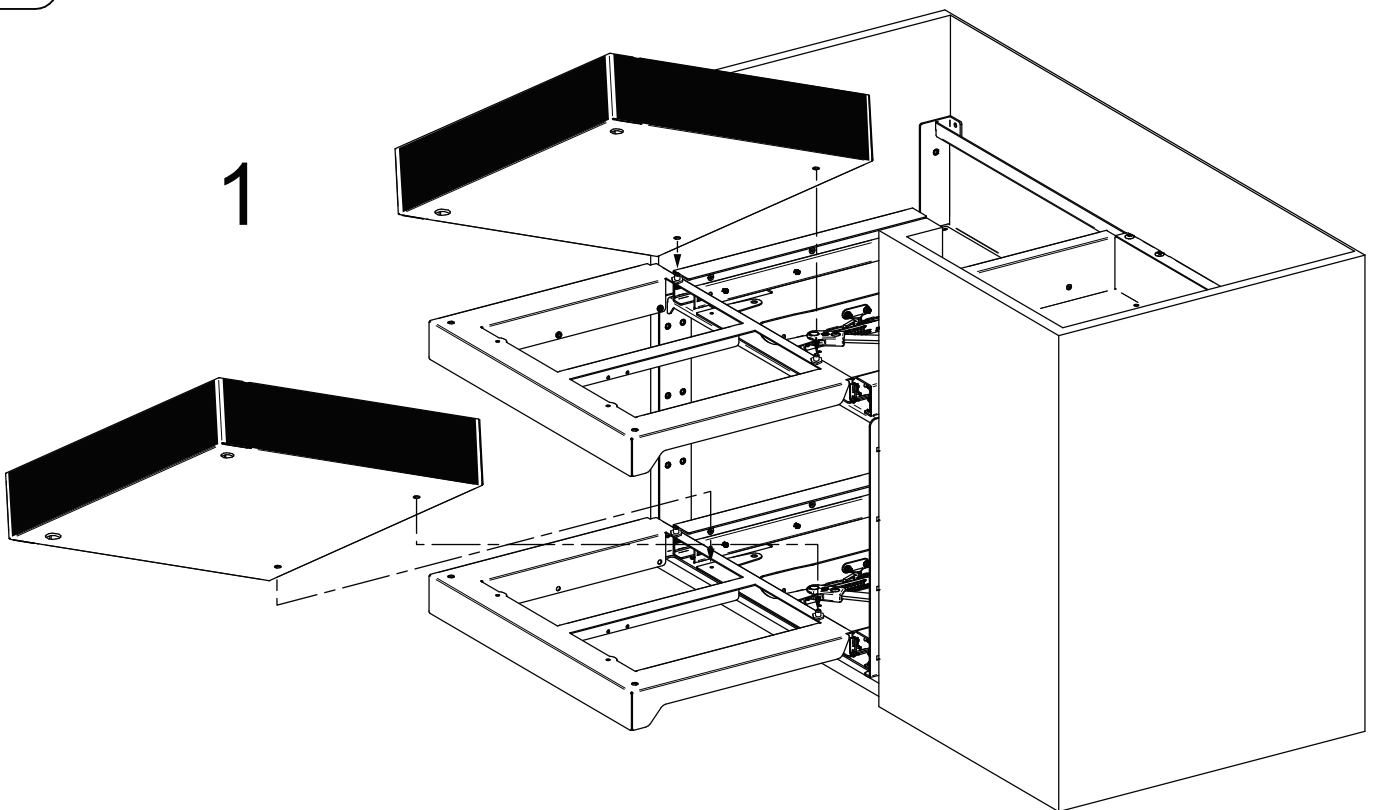




5° Right hand version

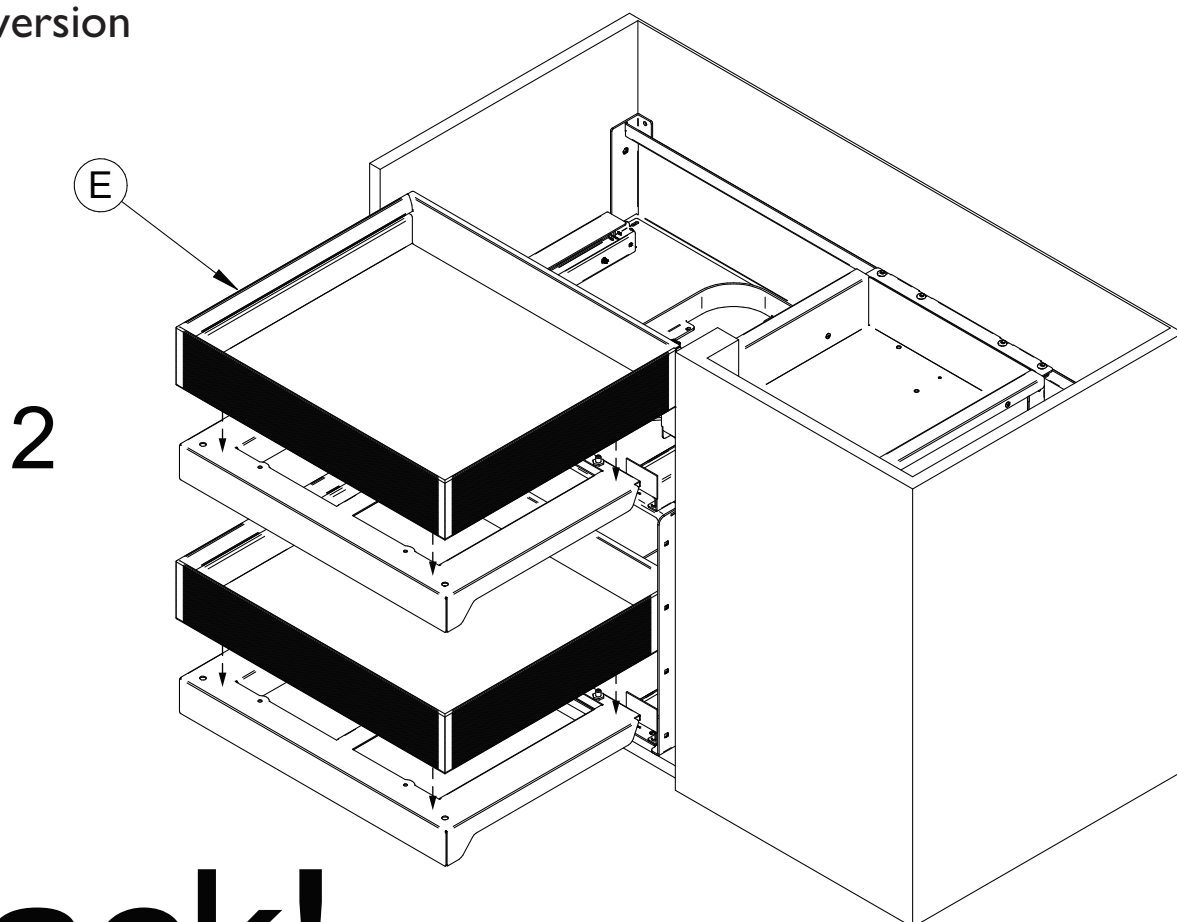


6°





Right hand version



# Clack!

7°

