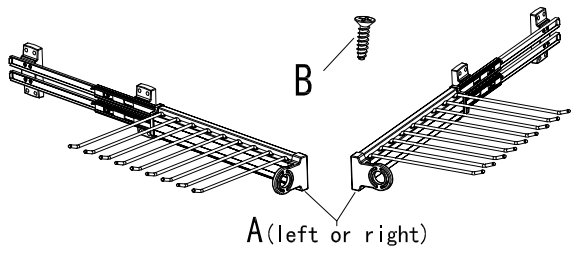


Assembly manual for 15241013



List of parts

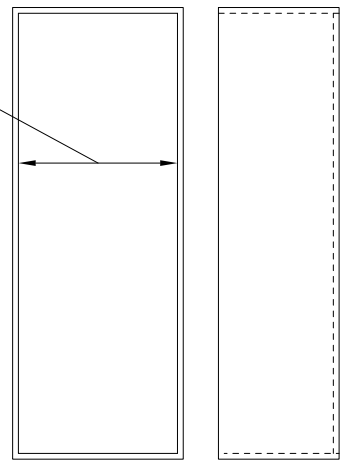
No.	Quantity	Description
A	1 pcs	Trousers rack L/R
B	8 pcs	ST4*16 flat head screw

1: Product's specification:

450*330*99

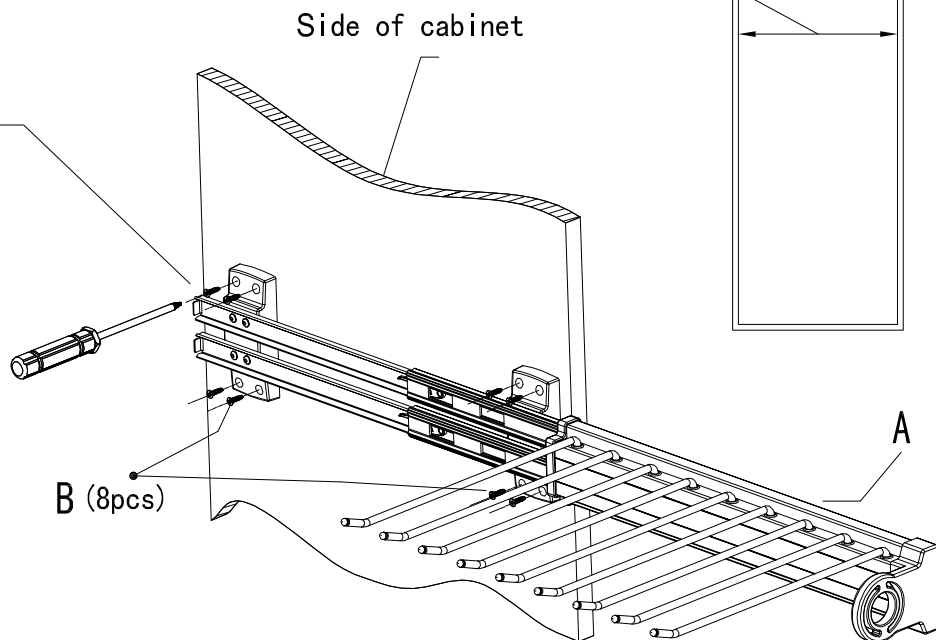
2: Dimension of the sideboard cabinet

Width $\geq 400\text{mm}$

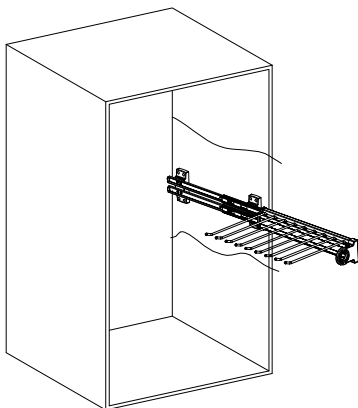


3: Fixing steps

Fix here with screw



Right view



4: Appearance of a complete assembly

