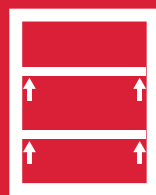


 **ITALIANA**[®]
f e r r a m e n t a

Poker



SHELF
SUPPORTS



SYMBOLS AND FINISHES LEGEND

SYMBOLS



= SHELF SAFELY LOCKED DURING TRANSPORTATION AND AT HOME.



= ANTI-TURNOVER LOCKING SYSTEM



= NORMS / PATENTS



= PHILLIPS / POZIDRIV



= WITH BUFFER



= PART NO.



= BLADE SLOT



= WITH MAGNET



= PCS. PER PACKAGE



= COMBI SLOT



= HEXAGONAL SOCKET



= NEWTON



= CAPACITY LOADING



= HEXALOBULAR SOCKET



= FRICTION



= WOOD / GLASS THICKNESS



= COUNTERSUNK HEAD



= AUTOMATIC



= HOLE DIAMETER



= PAN HEAD



= DROP DOWN



= DIAMETER



= FLANGE HEAD



= LENGTH



= FLAT HEAD



= STANDARD HINGE



= HEIGHT



= TRILOBULAR SCREW



= KIMANA HINGE



= RIGHT VERSION



= SELF-TAPPING SCREW



= FLAP HINGE



= LEFT VERSION



= EURO THREAD



= WITH SPRING



= SETTING CODE



= METRIC THREAD



= WITHOUT SPRING



= PCS. PER PAD



= PRE-INSERTED SCREW



= REVERSED SPRING



= CUT ON REQUEST



= PRE-INSERTED SCREW AND SPREADING BUSH



= SELF ADHESIVE



= WITH FLANGE

NOTE: Printing errors and omissions may exist despite our best efforts to ensure accuracy. We reserve the right to alter specifications without notice.

MATERIALS

ZA = Zinc Alloy

ST = Steel

HSS = High Speed Steel

BR = Brass

ABS = Acrylonitrile Butadiene Styrene

ZAnk = Nickel-plated Zinc Alloy

STzk = Zinc-plated Steel

AL = Aluminium

WD = Wood

EVA = Ethylene Vinyl Acetate

EP = **ENGINEERING PLASTIC**

+ **EP** = other engineering plastic available on request

SR = **SOFT RUBBER**

+ **SR** = other soft rubber available on request

EPn = Natural Engineering Plastic

EPc = Clear Engineering Plastic

SRn = Natural Soft Rubber

EPw = White Engineering Plastic

EPg = Grey Engineering Plastic

SRw = White Soft Rubber

EPwg = Water Green Engineering Plastic

SRb = Black Soft Rubber



FINISHES



= OTHER FINISHES AVAILABLE ON REQUEST

PART NO.	FINISHES	PART NO.	FINISHES	PART NO.	FINISHES
00	Insignificant finish	IF	Middle Grey	UT	T-Met 9007
AA	Natural	IJ	Light Grey	UZ	T-Met
AB	White	IL	Grey 20	WA	Bronzed
AE	White 9010	IN	Grey met. 26	WI	Burnished
EA	Black	JB	Bright Aluminium	XD	Satin-finished Steel
EC	Matt Black	JC	Aluminium - Chrome	YA	Nickel-plated
EE	Anthracite	JD	Matt Aluminium	YB	Bright Nickel-plated
EW	Grey 9007	JE	Satin-finished Aluminium	YC	Matt Nickel-plated
FU	Gunmetal	JF	Aluminium - Brass	YD	Satin-finished Nickel-plated
FV	Gunmetal V52	JG	Aluminium 5	YQ	Black Nickel
GR	Raw	JL	Aluminium PE 11	Z9	Black Zinc
HA	Brass-Plated	JM	Aluminium RAL 9006	ZA	Zinc alloy
HH	Tropicalized	KA	Chrome	ZN	Zinc-plated
HL	Raw Brass	KB	Bright Chrome	ZQ	Bright Gold
HX	Graphite	KC	Matt Chrome	ZY	Titanium
IA	Grey	NN	Metallic Beige	ZZ	Clear
IB	Metallic Grey	RO	Red		



POKER

POKER is a wood shelf support to be slotted into the panel by making edge borings.

It allows to join together any side and shelf, including bottom and top, without using any further connecting fitting. The sleeve expands by inserting the provided pin, which improves the structural fastening of the panel to the sides of the furniture. The panel has to be pushed downwards onto the side brackets, which can be screwed into any position required.

The side bracket slots into the socket of the shelf supports and a click locks the panel in position.

By turning the mini fix placed inside the shelf support 90° anticlockwise from the bottom, the shelf and top panel collide with the sides, providing a structural fastening.

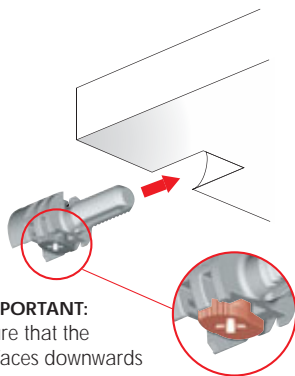
An optional through hole Ø8 mm allows you to fix also the bottom panel from the top by turning the mini fix 90° anticlockwise.



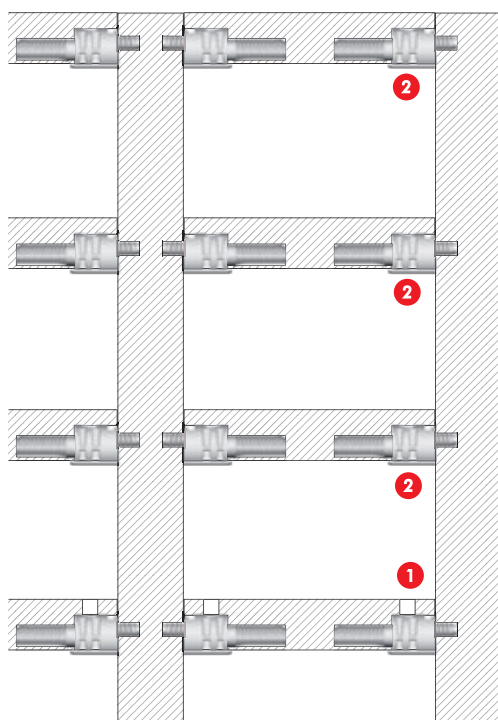
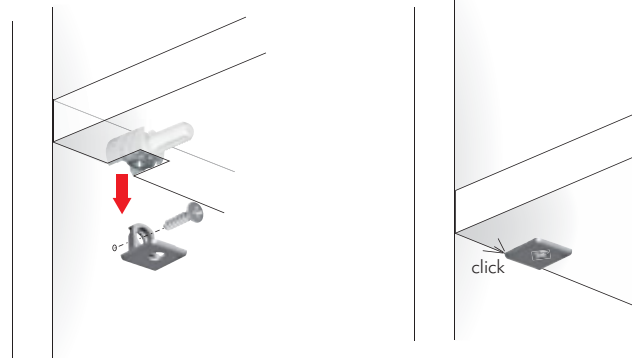
18 mm min

Certificates available on request.

INSTALLATION AND ASSEMBLING

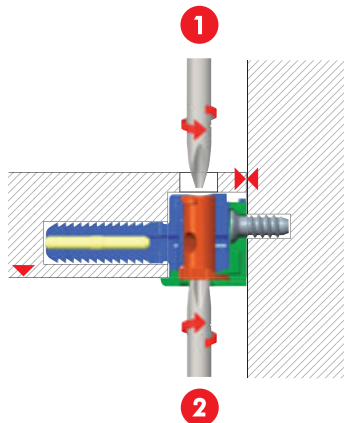


VERY IMPORTANT:
Make sure that the mini fix faces downwards



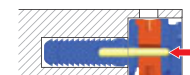
STRUCTURAL FASTENING WITH CROSS PH2 SCREWDRIVER:

90° turning from the upper side, for the furniture floor.

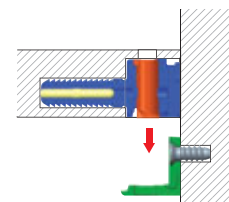


90° turning from the lower side, for the shelves and for the top.

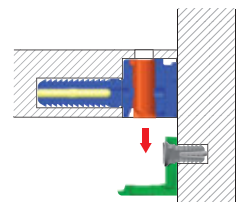
The sleeve expands by inserting the pre-mounted pin.



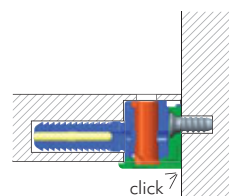
Assembling with alternative screw options.



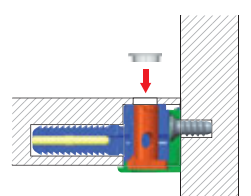
Assembling with pre-inserted spreading bush and screw to avoid hole damaging for shelf repositioning.




LOCKING DETAIL:

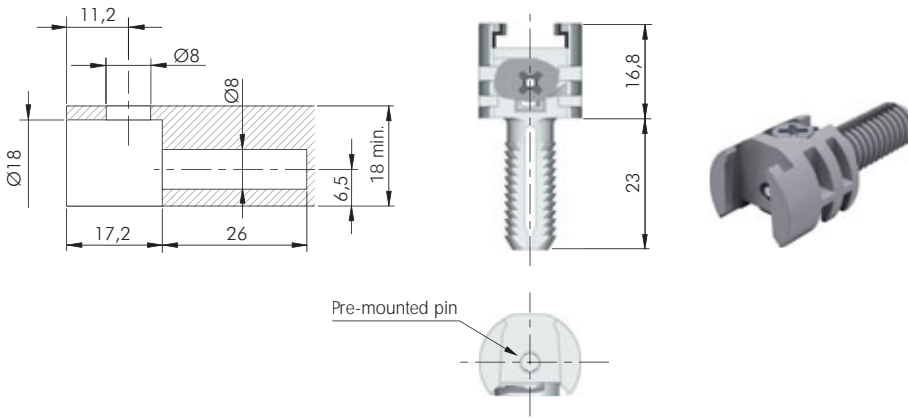


After turning the minifix.






POKER  **18 mm**



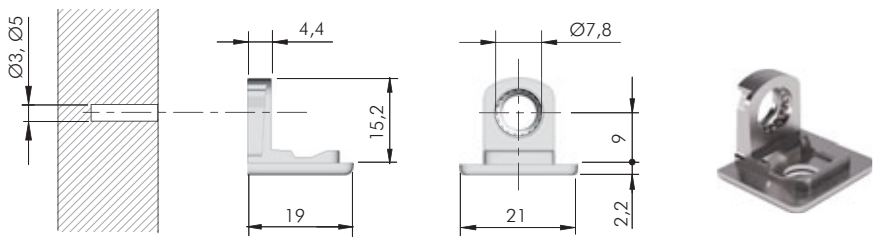
 = PH2


ZA EP ST

 = 2500 pcs.




11301010IL



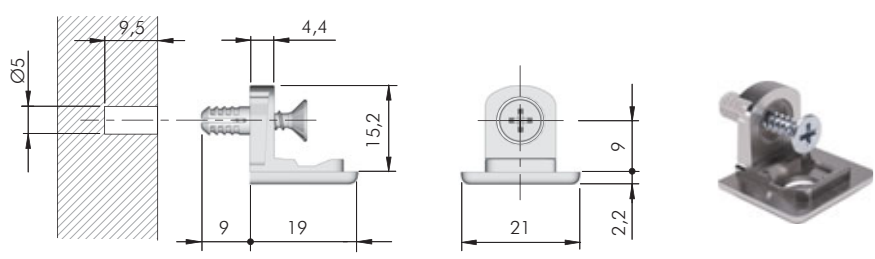
 = Ø 3, Ø 5 mm


ZA

 = 2500 pcs.




11302010YA



 = Ø 5 mm

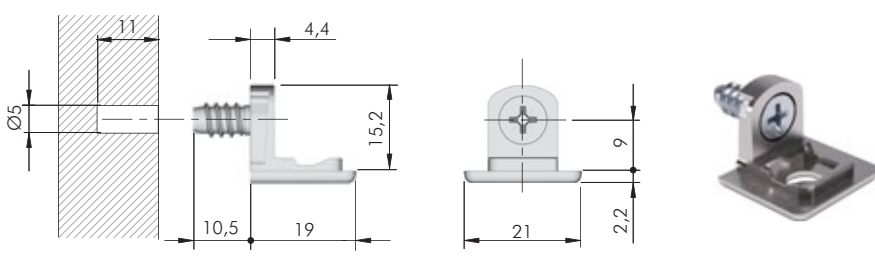
 = PZ2

ZA ST EP

 = 2500 pcs.



11302020YA



 = Ø 5 mm

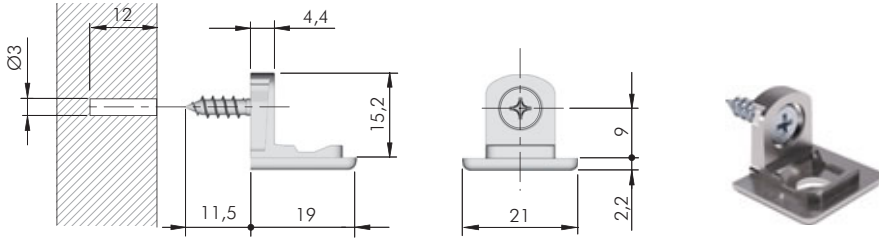
   = PZ2

ZA ST

 = 2500 pcs.

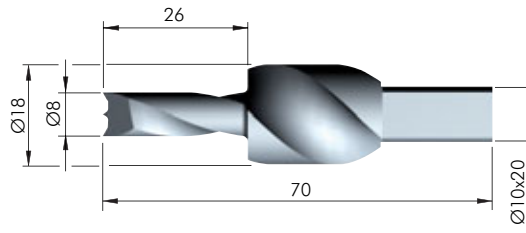
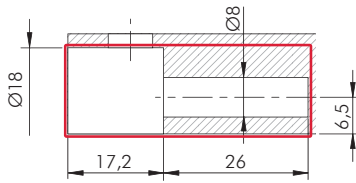


11302030YA

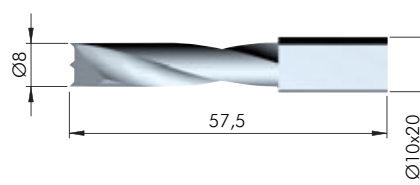
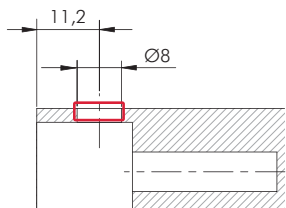


	= Ø 3 mm	
	= PZ2	
	ZA	ST
		= 2500 pcs.
	11302050YA	

DRILL BIT FOR POKER 18 mm




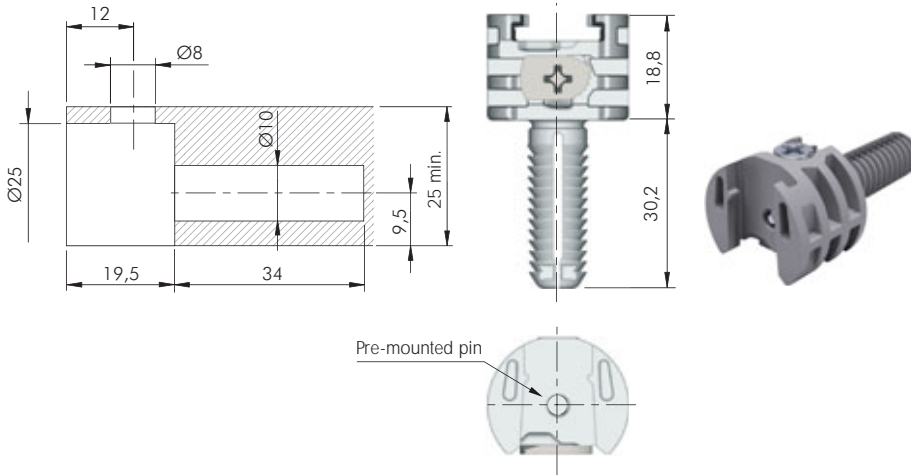
HSS			= on request
1135010000			
1135020000			



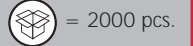
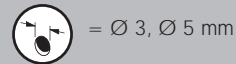
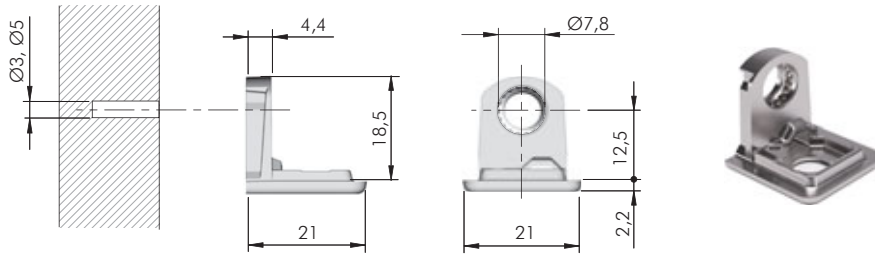
HSS			= on request
1145202000			



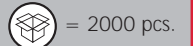
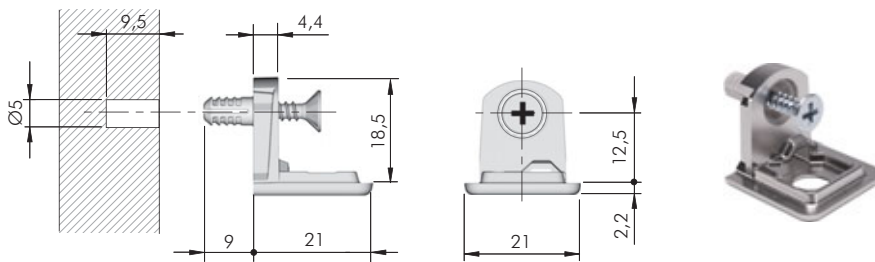
POKER  **25 mm**



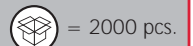
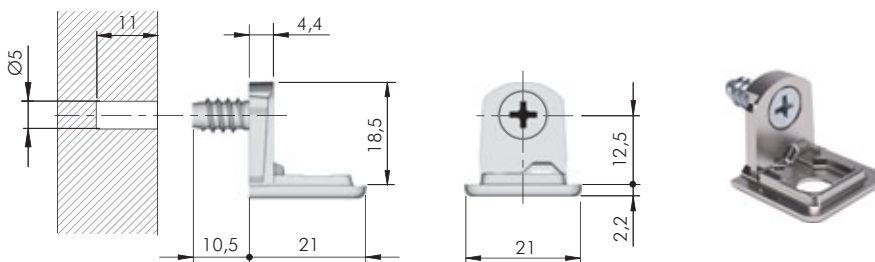
11301030IL



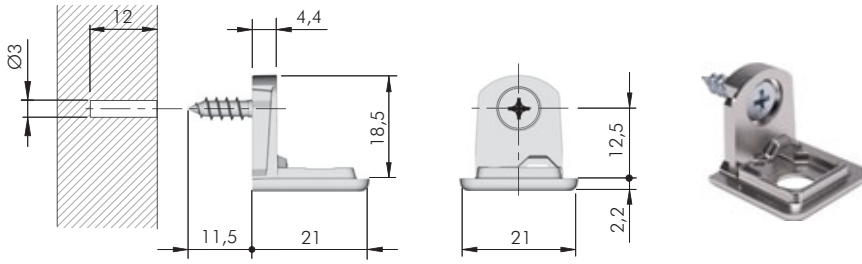
11303010YA



11303020YA



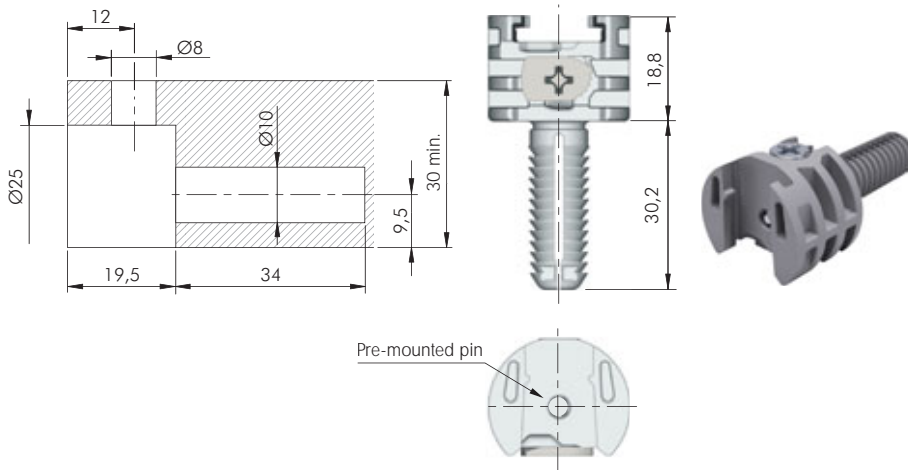
11303030YA



= Ø 3 mm +
 = PZ2
 ZA ST = 2000 pcs.

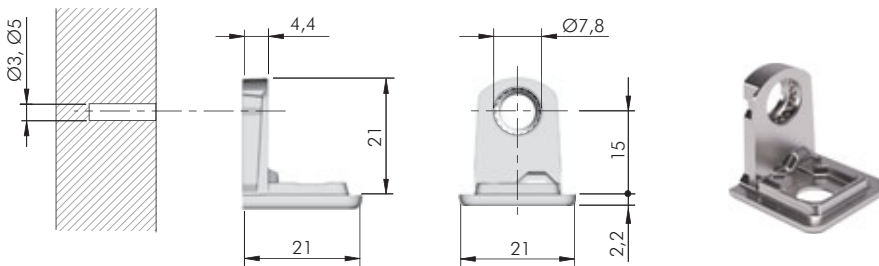
11303050YA

POKER 30 mm



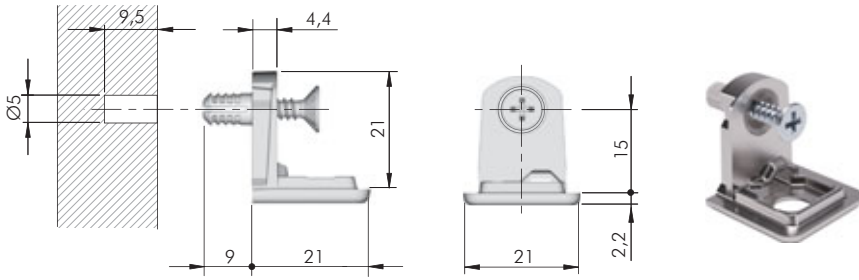
= PH2
 ZA EP ST = 2000 pcs.

11301030IL



= Ø 3, Ø 5 mm +
 ZA = 2000 pcs.

11305010YA



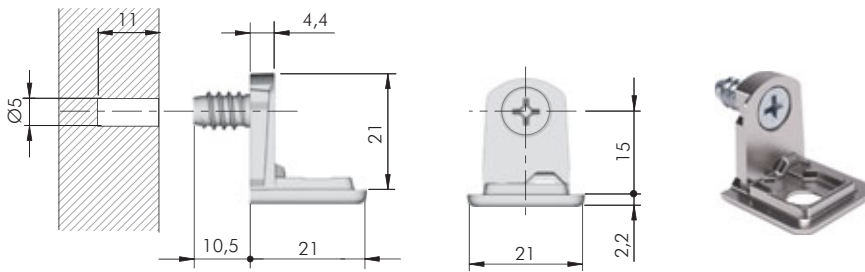
= Ø 5 mm +

= PZ2

ZA ST EP = 2000 pcs.

123

11305020YA



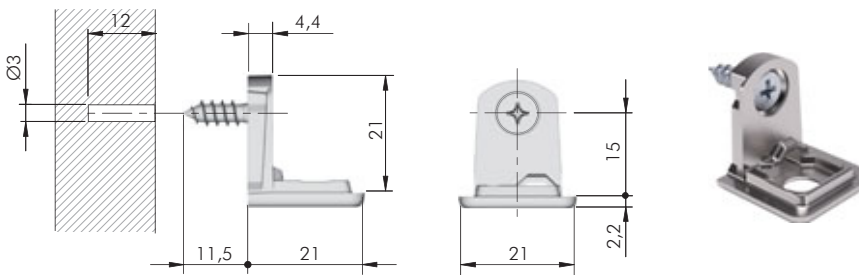
= Ø 5 mm +

= PZ2

ZA ST = 2000 pcs.

123

11305030YA



= Ø 3 mm +

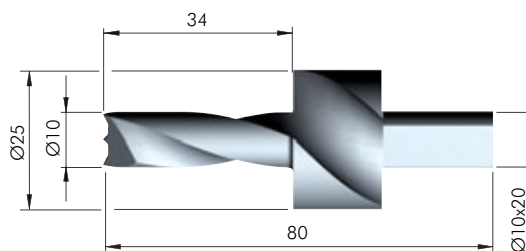
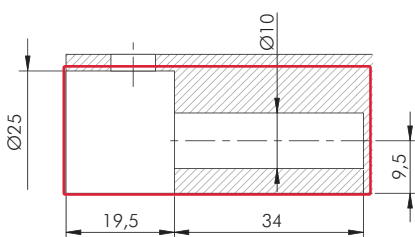
= PZ2

ZA ST = 2000 pcs.

123

11305050YA

DRILL BIT FOR POKER 25, 30 mm



HSS = on request

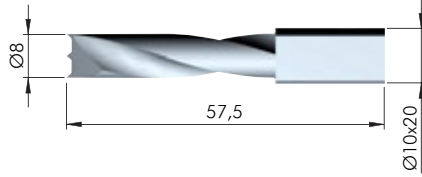
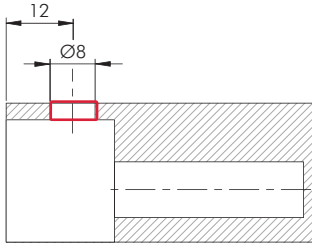
123

1135030000

R

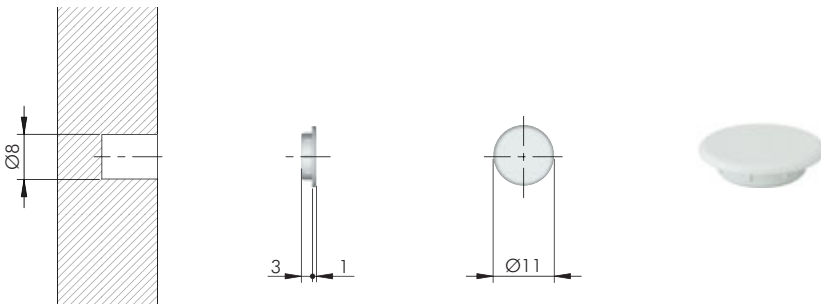
1135040000

L



HSS	= on request
1145202000	

POKER ACCESSORY



= Ø 8 mm	= on request
EP	= 5000 pcs.
23002010AB	

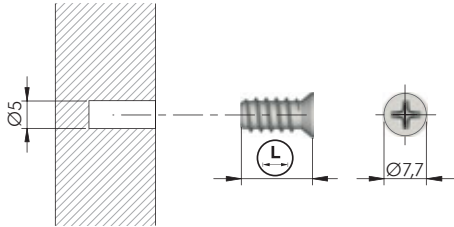
POKER FIXING ACCESSORIES



= Ø 3 mm	= on request
= PZ2	
ST	= 10.000 pcs.
60101390ZN	



= Ø 3 mm	= on request
= PZ2	
ST	= 5000 pcs.
60101570ZN	

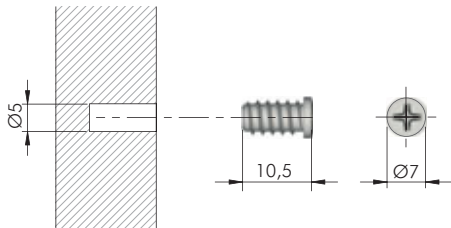


= Ø 5 mm +

= PZ2

= 5000 pcs.

60502010ZN		10
60501050YA		12,7
60502020ZN		13

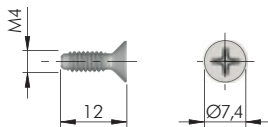


= Ø 5 mm +

= PZ2

= 5000 pcs.

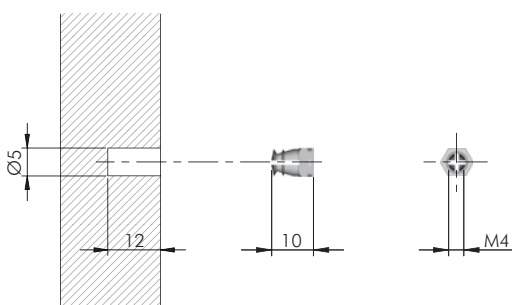
60507010YA	



= M4 = PZ2

= on request

60305040ZN	



= Ø 5 mm = M4

= 10.000 pcs.

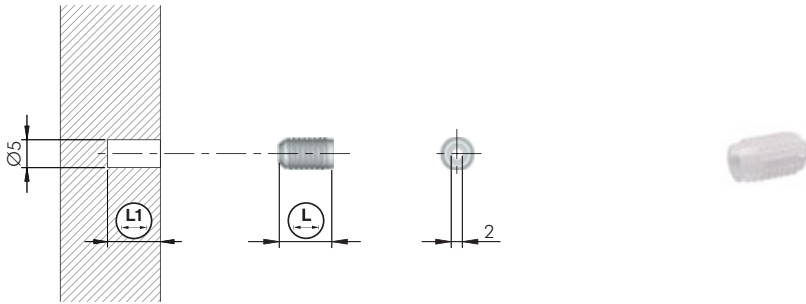
20502021HL	



SHELF
SUPPORTS

POKER

ITALIANA
ferramenta



= Ø 5 mm

EPn



20302020AA



9,5



11,5



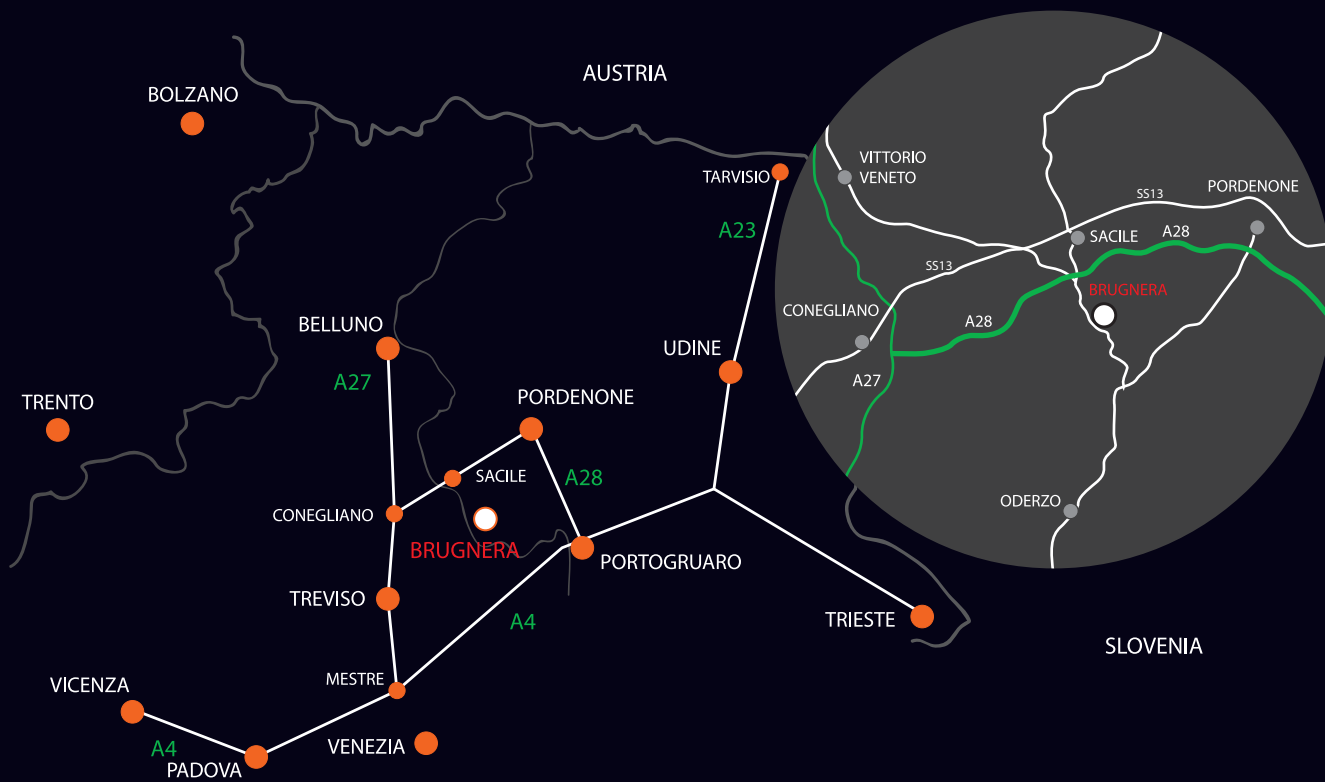
10.000

20302030AA

13

15

5000



www.italianaferramenta.com