

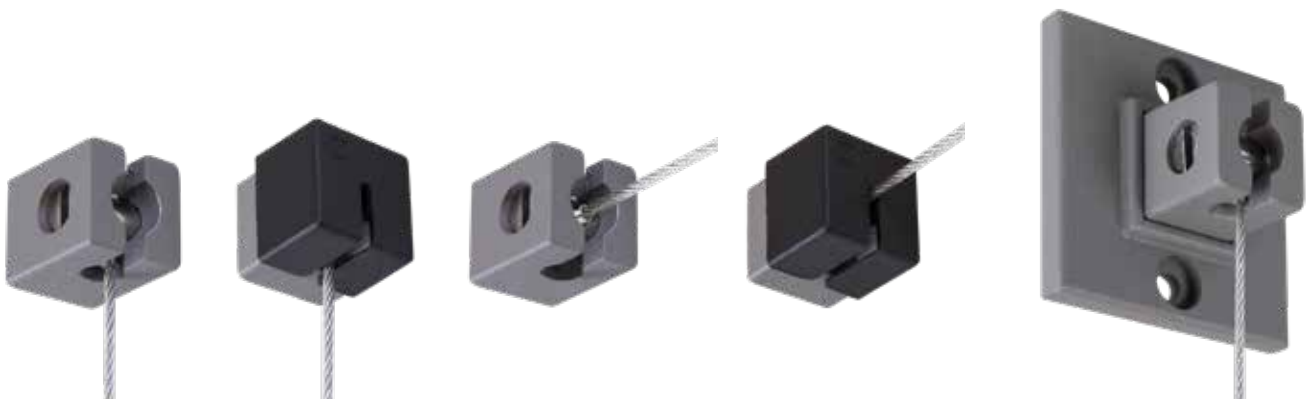
STAS qubic & qubic pro

flexible in all directions

The STAS qubic is a compact and square hanging system, suitable for hard walls such as stone or concrete. Do not underestimate the STAS qubic by its size, because that is exactly what's so convenient about this hanging system.

The STAS qubic is suitable for one hanging point and can be easily installed in the more difficult places. Think of a stairwell, a slanted ceiling or a pillar. The STAS qubic can be mounted in many different ways and therefore the cords can also be hooked in many possible ways.

The versatility of the STAS qubic makes it an indispensable hanging system for difficult places with hard walls.



wall mounting STAS qubic

wall mounting STAS qubic pro



Features qubic

| | |
|-----------------|----------------------------|
| Dimensions | 22 x 22 x 24 mm |
| Colour | alu textured |
| Material | aluminium |
| Installation | ceiling- and wall mounting |
| Weight capacity | 15 kg |
| Warranty | 5 years |

For matching hooks and cords, see next page.

See separate product sheet to combine the STAS qubic (pro) with the STAS v-tense & h-tense

Parts



STAS qubic
TCS1000



STAS qubic
endcap black
TCS9002



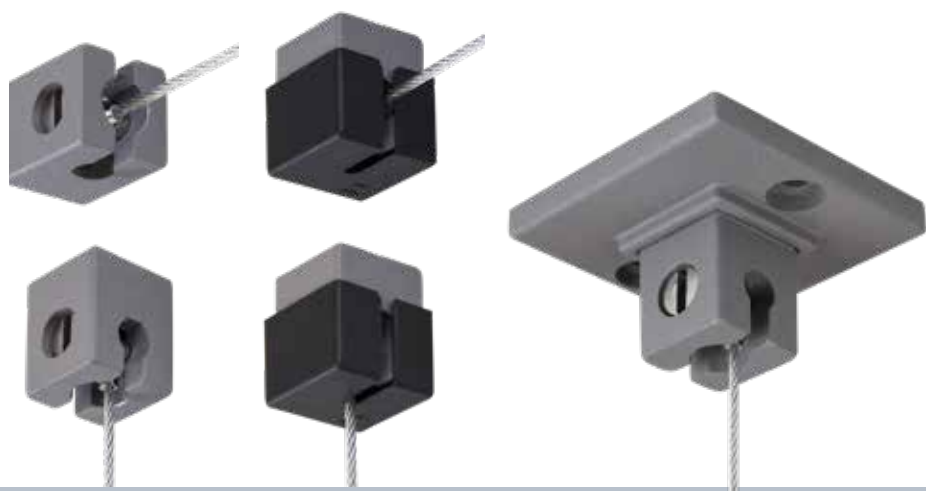
STAS screw qubic
SJ30200



STAS plug
SR50700

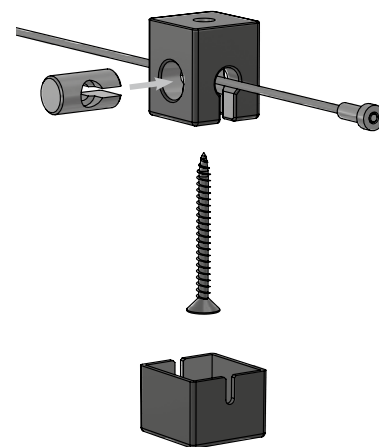
The STAS qubic pro works the same as the STAS qubic, but is suitable for soft walls such as plaster and sand-lime brick. The mounting plate can be installed with 2 screws which provides extra reinforcement of the STAS qubic pro in the soft wall.

Just like the STAS qubic, the STAS qubic pro can be used in the more difficult places. The versatility of the STAS qubic pro makes it an indispensable hanging system for difficult places with soft walls.



ceiling mounting STAS qubic

ceiling mounting STAS qubic pro



Features qubic pro

| | |
|-----------------|----------------------------|
| Dimensions | 50 x 50 x 28 mm |
| Colour | alu textured |
| Material | aluminium |
| Installation | ceiling- and wall mounting |
| Weight capacity | 20 kg |
| Warranty | 5 years |

For matching hooks and cords, see next page.
See separate product sheet to combine the STAS qubic (pro) with the STAS v-tense & h-tense



Parts



STAS qubic pro
TCS1010



STAS screw
qubic pro
SJ30100



STAS qubic
endcap black
TCS9002



STAS plug
SR50700

STAS evoluon & qubic (pro) hooks and cords

The STAS evoluon and the STAS qubic (pro) can be used with our special hooks and cords.



Cords



STAS perlon cord with glider

| | |
|---------|--------|
| PH10110 | 100 cm |
| PH10115 | 150 cm |
| PH10120 | 200 cm |
| PH10125 | 250 cm |
| PH10130 | 300 cm |
| PH10145 | 450 cm |



STAS steelcable with glider

| | |
|---------|--------|
| SH10110 | 100 cm |
| SH10115 | 150 cm |
| SH10120 | 200 cm |
| SH10125 | 250 cm |
| SH10130 | 300 cm |
| SH10145 | 450 cm |

Hooks



STAS smartspring
HA30900



STAS zipper
HA30501



STAS zipper pro
HA30530

Possible combinations

STAS evoluon



max.
4 kg

STAS evoluon
hook + perlon
cord with glider
+ smartspring



max.
15 kg

STAS evoluon
hook + perlon
cord with glider
+ zipper



max.
15 kg

STAS evoluon
hook + steel
cable with glider
+ zipper

STAS qubic (pro)



max.
4 kg

STAS qubic +
perlon cord
with glider
+ smartspring



max.
15 kg

STAS qubic +
perlon cord
with glider
+ zipper



max.
20 kg

STAS qubic +
steel cable
with glider
+ zipper

Important note regarding warranty and liability

Products of STAS must be installed and used only in strict accordance with the latest version of the STAS picture hanging systems installation guide, available for download at www.stasgroup.com. It is the responsibility of the installer to select the correct fasteners for the particular installation. Improper installation, misuse, misapplication or otherwise failing to completely follow seller's instructions and warnings may cause product malfunction, property damage or personal injury.

STAS products TÜV certified

STAS strives day after day for products of the highest quality. To guarantee the quality and independence of products, STAS has commissioned TÜV Netherlands for the testing of its products. TÜV Netherlands is an independent and recognized body that assesses the quality of products according to a set standard and has extensive experience in the field of product safety and product inspections. Under the direction of TÜV, a large part of our range of products has been tested for quality and correctness of the specified features. All products where the TÜV logo is shown, have actually been tested by TÜV Netherlands and approved for the capacity that is stated in the features of that product.



STAS picture hanging systems

Esp 245 | 5633 AD Eindhoven | PO box 1049 | 5602 BA Eindhoven | The Netherlands
T +31 (0)40 292 48 48 | info@stasgroup.com | www.stasgroup.com