

 **ITALIANA**<sup>®</sup>  
f e r r a m e n t a



Libra H6



HANGERS



# SYMBOLS AND FINISHES LEGEND

## SYMBOLS



= SHELF SAFELY LOCKED DURING TRANSPORTATION AND AT HOME.



= ANTI-TURNOVER LOCKING SYSTEM



= NORMS / PATENTS



= PHILLIPS / POZIDRIV



= WITH BUFFER



= PART NO.



= BLADE SLOT



= WITH MAGNET



= PCS. PER PACKAGE



= COMBI SLOT



= HEXAGONAL SOCKET



= NEWTON



= CAPACITY LOADING



= HEXALOBULAR SOCKET



= FRICTION



= WOOD / GLASS THICKNESS



= COUNTERSUNK HEAD



= AUTOMATIC



= HOLE DIAMETER



= PAN HEAD



= DROP DOWN



= DIAMETER



= FLANGE HEAD



= LENGTH



= FLAT HEAD



= STANDARD HINGE



= HEIGHT



= TRILOBULAR SCREW



= KIMANA HINGE



= RIGHT VERSION



= SELF-TAPPING SCREW



= FLAP HINGE



= LEFT VERSION



= EURO THREAD



= WITH SPRING



= SETTING CODE



= METRIC THREAD



= WITHOUT SPRING



= PCS. PER PAD



= PRE-INSERTED SCREW



= REVERSED SPRING



= CUT ON REQUEST



= PRE-INSERTED SCREW AND SPREADING BUSH



= SELF ADHESIVE



= WITH FLANGE

NOTE: Printing errors and omissions may exist despite our best efforts to ensure accuracy. We reserve the right to alter specifications without notice.

## MATERIALS

**ZA** = Zinc Alloy

**ST** = Steel

**HSS** = High Speed Steel

**BR** = Brass

**ABS** = Acrylonitrile Butadiene Styrene

**ZAnk** = Nickel-plated Zinc Alloy

**STzk** = Zinc-plated Steel

**AL** = Aluminium

**WD** = Wood

**EVA** = Ethylene Vinyl Acetate

**EP** = **ENGINEERING PLASTIC**

+ **EP** = other engineering plastic available on request

**SR** = **SOFT RUBBER**

+ **SR** = other soft rubber available on request

**EPn** = Natural Engineering Plastic

**EPc** = Clear Engineering Plastic

**SRn** = Natural Soft Rubber

**EPw** = White Engineering Plastic

**EPg** = Grey Engineering Plastic

**SRw** = White Soft Rubber

**EPwg** = Water Green Engineering Plastic

**SRb** = Black Soft Rubber



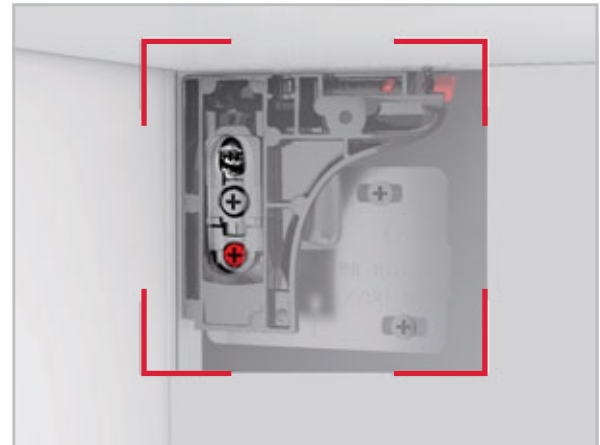
## FINISHES



= OTHER FINISHES AVAILABLE ON REQUEST

PART NO.	FINISHES	PART NO.	FINISHES	PART NO.	FINISHES
00	Insignificant finish	IF	Middle Grey	UT	T-Met 9007
AA	Natural	IJ	Light Grey	UZ	T-Met
AB	White	IL	Grey 20	WA	Bronzed
AE	White 9010	IN	Grey met. 26	WI	Burnished
EA	Black	JB	Bright Aluminium	XD	Satin-finished Steel
EC	Matt Black	JC	Aluminium - Chrome	YA	Nickel-plated
EE	Anthracite	JD	Matt Aluminium	YB	Bright Nickel-plated
EW	Grey 9007	JE	Satin-finished Aluminium	YC	Matt Nickel-plated
FU	Gunmetal	JF	Aluminium - Brass	YD	Satin-finished Nickel-plated
FV	Gunmetal V52	JG	Aluminium 5	YQ	Black Nickel
GR	Raw	JL	Aluminium PE 11	Z9	Black Zinc
HA	Brass-Plated	JM	Aluminium RAL 9006	ZA	Zinc alloy
HH	Tropicalized	KA	Chrome	ZN	Zinc-plated
HL	Raw Brass	KB	Bright Chrome	ZQ	Bright Gold
HX	Graphite	KC	Matt Chrome	ZY	Titanium
IA	Grey	NN	Metallic Beige	ZZ	Clear
IB	Metallic Grey	RO	Red		

## LIBRA H6 LIVING SETTINGS



### WALL CABINET APPLICATION

- Capacity loading 120 Kilos per piece ( 240 Kilos per pair).
- In accordance with the European Regulation DIN 68840.



**LIBRA H6**

The LIBRA hangers are to be installed behind the rear panel with the only small cover caps left visible inside the cabinet. All the models within the LIBRA family feature an innovative ANTI-TURNOVER device which is covered by patent.

LIBRA H6 is a very resistant and reliable solution for suspended base units as the zinc alloy body is sensibly thicker, and therefore stronger.

LIBRA H6 is a left/right cabinet hanger with two semi-circular pins Ø15mm and a pre-inserted screw for the top.

It features an innovative locking device to the side panel conceived to sensibly increase the capacity loading of the cabinet.

The axial-locking of LIBRA H6 allows the fixing screw to penetrate the side panel beyond the back panel groove.

Wall bars and wall plates feature oval holes which facilitate the correct positioning and give the possibility to carry out the horizontal adjustment.

Placement of the holes for wall-fixation has been optimised to reduce the stress on the plates and on the plugs.

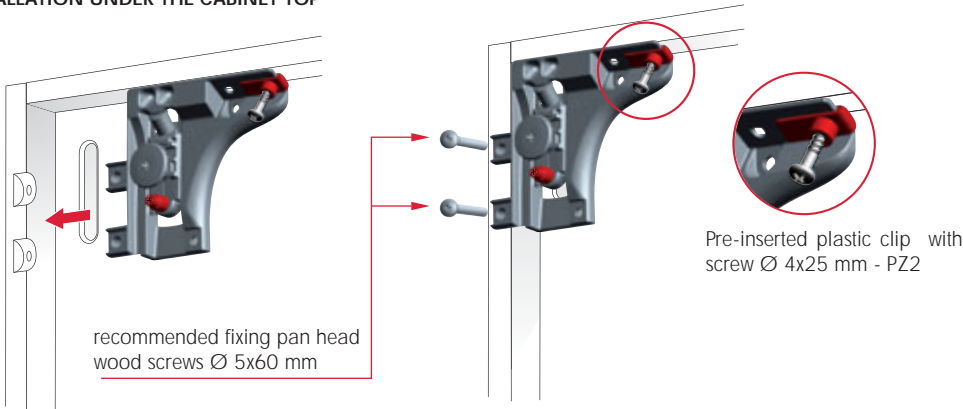
LIBRA cabinet hangers allow to adjust the cabinet vertically and horizontally. The 2 movements are 100% INDEPENDENT of each other and therefore make the adjustments much easier and more efficient.

The adjustment and the locking of the ANTI-TURNOVER bolt can be carried out from the inside of the cabinet by using a standard PZ2 screwdriver.



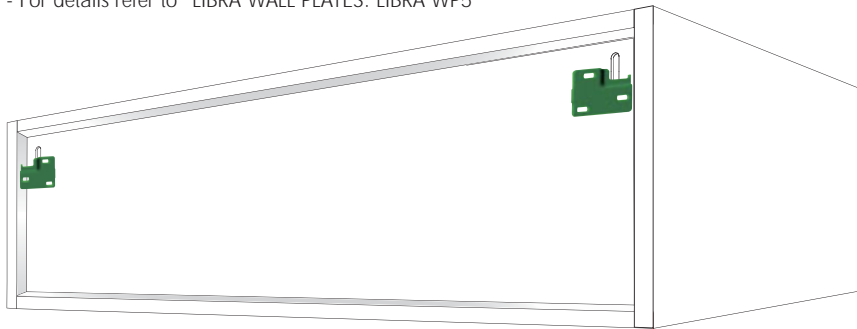
Also featured in the LIBRA family are 5 types of wall plates and 1 types of wall bars made of very thick zinc-coated steel and hardened by punched impressions.

**INSTALLATION UNDER THE CABINET TOP**



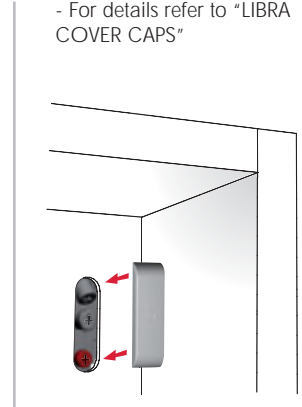
**INSTALLATION ON THE WALL**

- For details refer to "LIBRA WALL PLATES: LIBRA WP5 "



**COVER CAP INSERTING**

- For details refer to "LIBRA COVER CAPS"



It is the responsibility of the customer:

- to ensure that the wall is of a suitable quality to hold the unit fixing in place.
- to use the proper hardware fittings according to the construction of the wall.

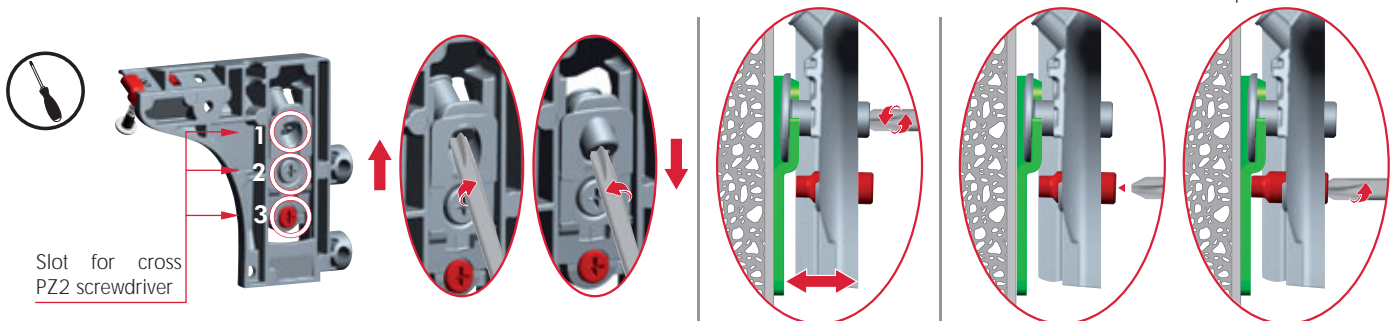
For more specific information, please refer to the WARNINGS section at the end of the catalogue.

**ADJUSTMENTS**

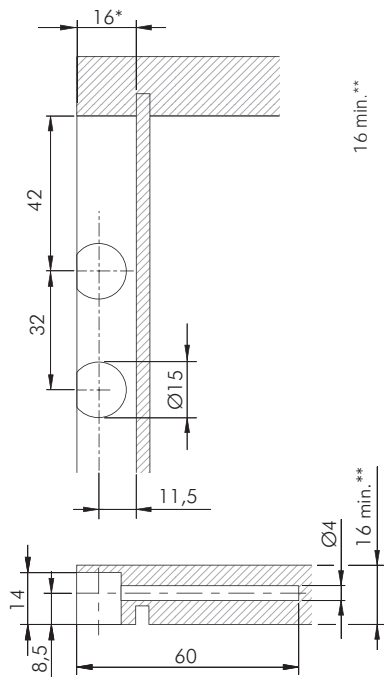
**1**  
VERTICAL ADJUSTMENT  
13 mm

**2**  
IN-DEPTH ADJUSTMENT  
12 mm

**3**  
ANTI-TURNOVER LOCKING  
Stop screwing the red bolt when it touches the wall plate



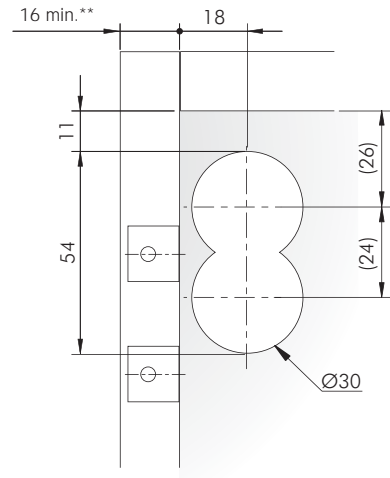
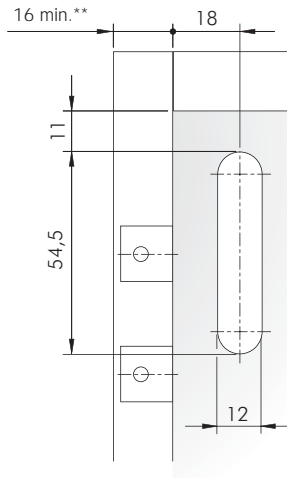
DRILLING PLAN FOR LIBRA H6  
SIDE PANEL AND SERVICE GAP



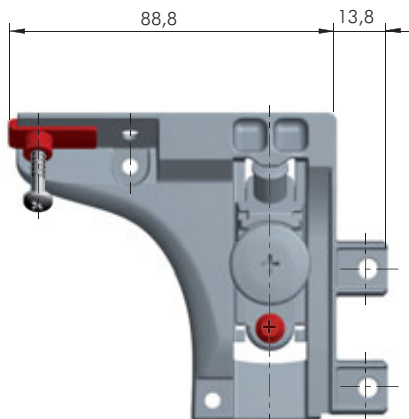
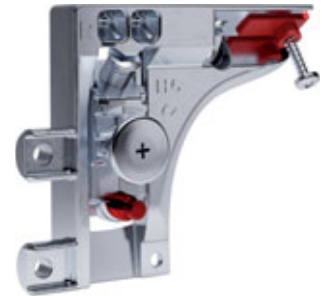
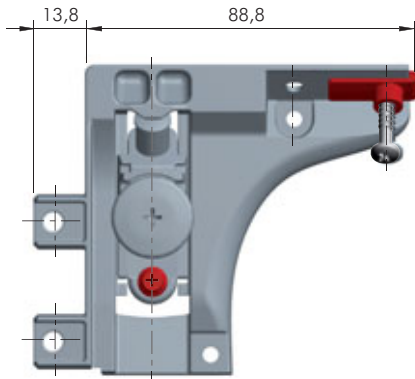
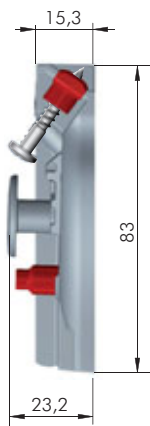
BACK PANEL

Libra CC1-CC4-CC5 cover cap

Libra CC2 cover cap



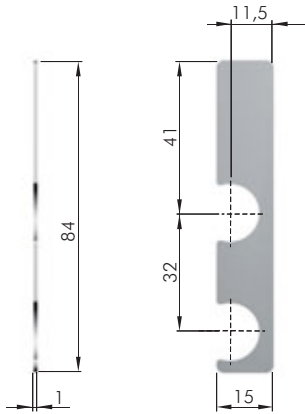
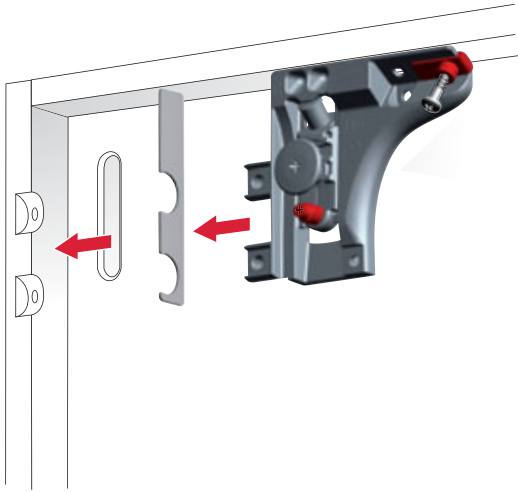
\* Our technical department is at your disposal for different service gap options.  
\*\* For side panel 15 mm thick use "Libra H6 SPACER - 1 mm".



	= PZ2		= 50 pcs.
ZA	ST		
		<b>R</b>	
63420500ZN		<b>L</b>	
63420510ZN			

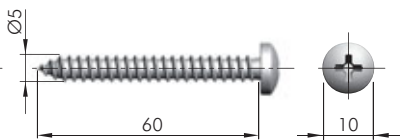


**LIBRA H6 SPACER - 1 mm**



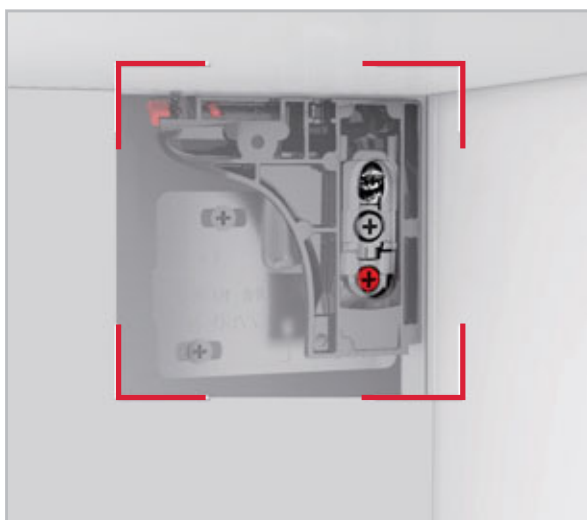
ST	= on request
123	
<b>63490510XE</b>	

**LIBRA H6 FIXING ACCESSORY**



= Ø 4 mm	+
= PZ2	
ST	= 500 pcs.
123	
<b>60103560ZN</b>	

## LIBRA H6 and LIBRA CH LIVING SETTINGS



LIBRA H6



LIBRA CH



### LIBRA H6 and LIBRA CH APPLICATIONS

#### BENEFITS OF LIBRA H6 AND LIBRA CH HANGING SYSTEMS:

- Vertical and in-depth adjustments, as well as the locking of the cabinet, can be easily and smoothly carried out from the inside.
- The hanging system is never interfering with the slides for drawers as it is placed behind the back panel.
- Absolutely no mills, drillings or grooves required inside the cabinet.

In the **current absence of a unifying European norm** which sets the standards for testing procedures aimed at defining capacity loadings of hanging systems conceived for suspended base units, we Italiana Ferramenta have simulated some of the most critical scenarios.

The following simulations are meant to give our customers valid reference points concerning cabinet dimensions, weights, recommended loading capacity even when loaded drawers are opened.

**The reported data, empirically obtained, exclusively refer to the constructions and examples shown, correctly positioned and assembled by using WP5 wall plate.**

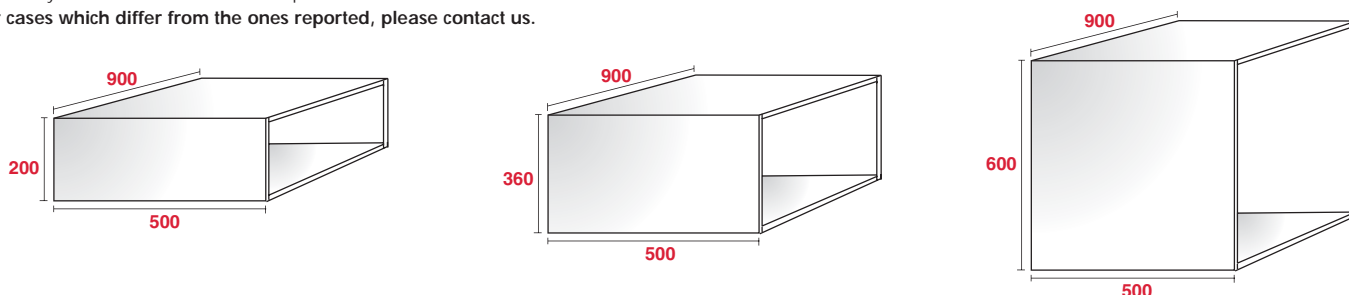
The customer must ensure that the wall is of suitable quality and structure.

Other important factors to be taken into consideration are determined by:

- the type of side panel, the actual thickness and the material used. It is recommended to use chipboard panels. For MDF panels please contact us for further information concerning the screw fixing.
- the type and dimensions of the screws used.
- the actual positioning, depth and width of the groove milled for the back side installation.
- the capacity loading of the drawer slides used as well as the actual construction of the drawer.

We always recommend to test a complete cabinet.

**For cases which differ from the ones reported, please contact us.**

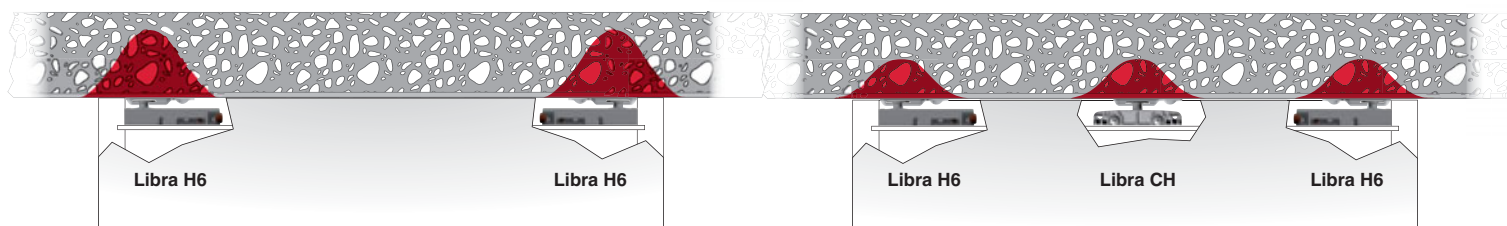
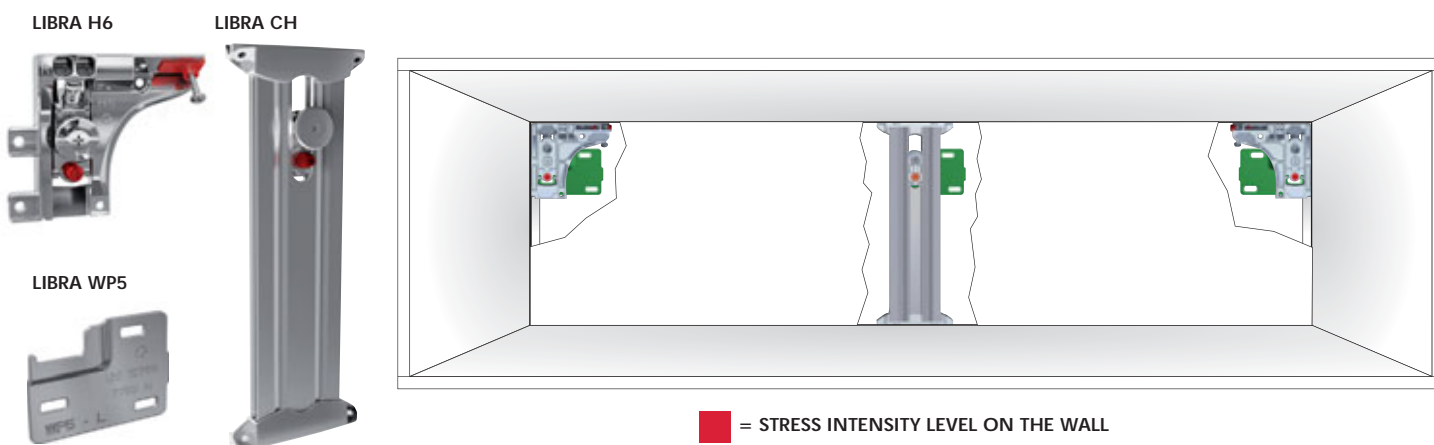


FURNITURE TYPE	CAPACITY LOADING	
	LIBRA H6	LIBRA H6 + 1 LIBRA CH
Cabinet	100 Kg	150 Kg
Cabinet + drawer	70 Kg + 30 Kg	120 Kg + 30 Kg

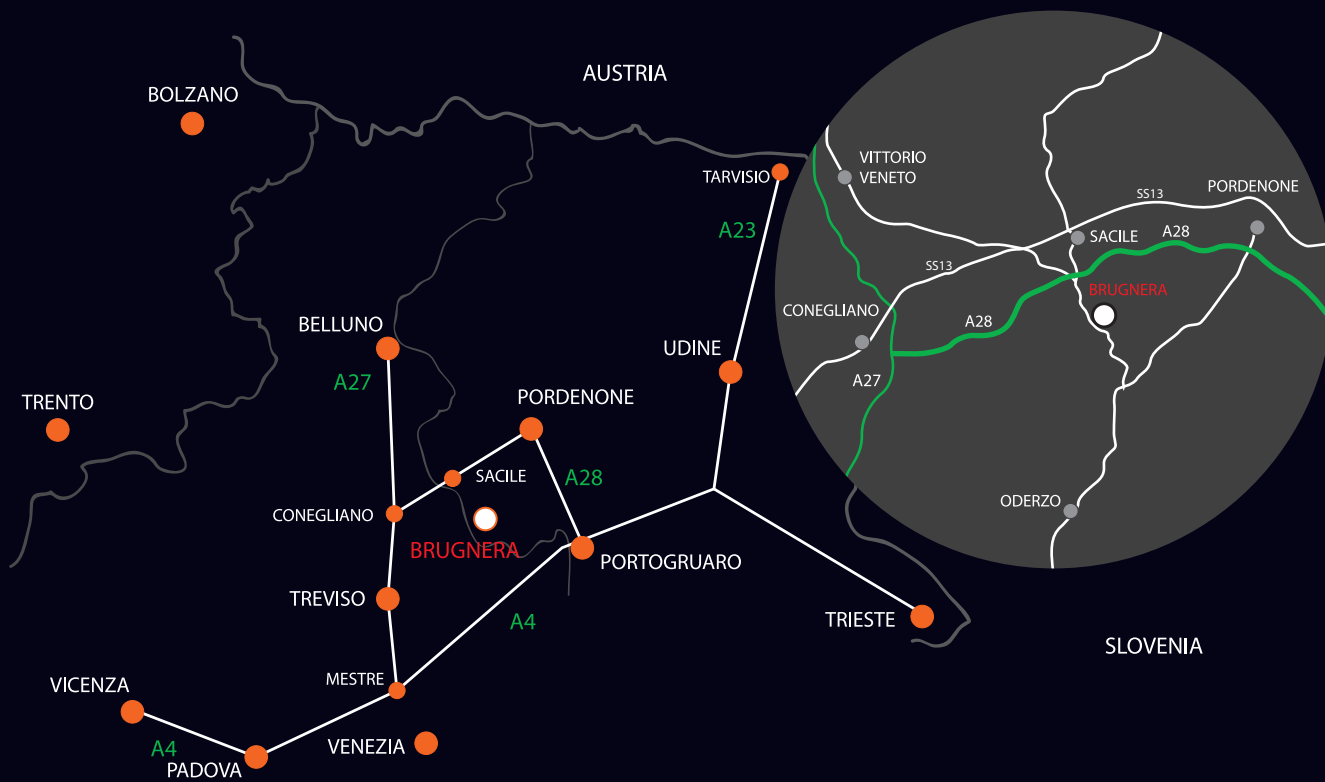
FURNITURE TYPE	CAPACITY LOADING	
	LIBRA H6	LIBRA H6 + 1 LIBRA CH
Cabinet	180 Kg	230 Kg
Cabinet + drawer	150 Kg + 30 Kg	180 Kg + 50 Kg

FURNITURE TYPE	CAPACITY LOADING	
	LIBRA H6	LIBRA H6 + 1 LIBRA CH
Cabinet	200 Kg	230 Kg
Cabinet + drawer	170 Kg + 30 Kg	170 Kg + 50 Kg

The reported data, empirically obtained, exclusively refer to the constructions and examples shown, correctly positioned and assembled by using WP5 wall plate.



By adding Libra CH to Libra H6, the capacity loading is more evenly distributed, thus sensibly reducing the stress intensity level on the wall.



[www.italianaferramenta.com](http://www.italianaferramenta.com)