



# Libra H1



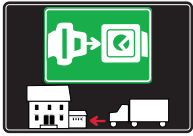
HANGERS





# SYMBOLS AND FINISHES LEGEND

## SYMBOLS



= SHELF SAFELY LOCKED DURING TRANSPORTATION AND AT HOME.



= ANTI-TURNOVER LOCKING SYSTEM



= NORMS / PATENTS



= PHILLIPS / POZIDRIV



= WITH BUFFER



= PART NO.



= BLADE SLOT



= WITH MAGNET



= PCS. PER PACKAGE



= COMBI SLOT



= NEWTON



= CAPACITY LOADING



= HEXALOBULAR SOCKET



= FRICTION



= WOOD / GLASS THICKNESS



= COUNTERSUNK HEAD



= AUTOMATIC



= HOLE DIAMETER



= PAN HEAD



= DROP DOWN



= DIAMETER



= FLANGE HEAD



= STANDARD HINGE



= LENGTH



= FLAT HEAD



= KIMANA HINGE



= HEIGHT



= TRILOBULAR SCREW



= FLAP HINGE



= RIGHT VERSION



= SELF-TAPPING SCREW



= WITH SPRING



= LEFT VERSION



= EURO THREAD



= WITHOUT SPRING



= SETTING CODE



= METRIC THREAD



= REVERSED SPRING



= PCS. PER PAD



= PRE-INSERTED SCREW



= PRE-INSERTED SCREW AND SPREADING BUSH



= CUT ON REQUEST



= WITH FLANGE



= SELF ADHESIVE

NOTE: Printing errors and omissions may exist despite our best efforts to ensure accuracy. We reserve the right to alter specifications without notice.

## MATERIALS

<b>ZA</b> = Zinc Alloy	<b>ST</b> = Steel	<b>HSS</b> = High Speed Steel	<b>BR</b> = Brass	<b>ABS</b> = Acrylonitrile Butadiene Styrene
<b>ZAnk</b> = Nickel-plated Zinc Alloy	<b>STzk</b> = Zinc-plated Steel	<b>AL</b> = Aluminium	<b>WD</b> = Wood	<b>EVA</b> = Ethylene Vinyl Acetate

**EP** = **ENGINEERING PLASTIC**

+ **EP** = other engineering plastic available on request

**SR** = **SOFT RUBBER** + **SR** = other soft rubber available on request

<b>EPn</b> = Natural Engineering Plastic	<b>EPc</b> = Clear Engineering Plastic	<b>SRn</b> = Natural Soft Rubber
<b>EPw</b> = White Engineering Plastic	<b>EPg</b> = Grey Engineering Plastic	<b>SRw</b> = White Soft Rubber
<b>EPwg</b> = Water Green Engineering Plastic	<b>EPa</b> = Anthracite Engineering Plastic	<b>SRb</b> = Black Soft Rubber



## FINISHES



= OTHER FINISHES AVAILABLE ON REQUEST

PART NO.	FINISHES	PART NO.	FINISHES	PART NO.	FINISHES
OO	Insignificant finish	IF	Middle Grey	RO	Red
AA	Natural	IJ	Light Grey	UT	T-Met 9007
AB	White	IL	Grey 20	UZ	T-Met
AE	White 9010	IN	Grey met. 26	WA	Bronzed
EA	Black	JB	Bright Aluminium	WI	Burnished
EC	Matt Black	JC	Aluminium - Chrome	XD	Satin-finished Steel
EE	Anthracite	JD	Matt Aluminium	YA	Nickel-plated
EW	Grey 9007	JE	Satin-finished Aluminium	YB	Bright Nickel-plated
FU	Gunmetal	JF	Aluminium - Brass	YC	Matt Nickel-plated
FV	Gunmetal V52	JG	Aluminium 5	YD	Satin-finished Nickel-plated
GR	Raw	JL	Aluminium PE 11	YQ	Black Nickel
HA	Brass-Plated	JM	Aluminium RAL 9006	Z9	Black Zinc
HH	Tropicalized	KA	Chrome	ZA	Zinc alloy
HL	Raw Brass	KB	Bright Chrome	ZN	Zinc-plated
HX	Graphite	KC	Matt Chrome	ZQ	Bright Gold
IA	Grey	LD	Brown 8019	ZY	Titanium
IB	Metallic Grey	NN	Metallic Beige	ZZ	Clear

## LIBRA H1 - H2 - H3 - H4 LIVING SETTINGS



LIBRA H1



LIBRA H3



LIBRA H2



LIBRA H4



## LIBRA H1

LIBRA is the innovative family of CABINET HANGERS and WALL PLATES especially conceived to satisfy all the customer's needs. The LIBRA hangers are to be installed behind the rear panel with the only small cover caps left visible inside the cabinet.

LIBRA is a very resistant and reliable solution as the zinc-coated steel body is sensibly thicker, and therefore stronger.

All the models within the LIBRA family feature an innovative ANTI-TURNOVER device which is covered by patent.

LIBRA H1 is the universal screw fixing cabinet hanger. It is unhandled and doesn't require any drilling operations on the side.

Also featured in the LIBRA family are 5 types of wall plates and 1 types of wall bars made of very thick zinc-coated steel and hardened by punched impressions.

Wall bars and wall plates feature oval holes which facilitate the correct positioning and give the possibility to carry out the horizontal adjustment.

Placement of the holes for wall-fixation has been optimised to reduce the stress on the plates and on the plugs.

LIBRA cabinet hangers allow to adjust the cabinet vertically and horizontally. The 2 movements are 100% INDEPENDENT of each other and therefore make the adjustments much easier and more efficient.

The adjustment and the locking of the ANTI-TURNOVER bolt can be carried out from the inside of the cabinet by using a standard PZ2 screwdriver. The capacity loading of LIBRA H1 is 75 Kilos per piece.



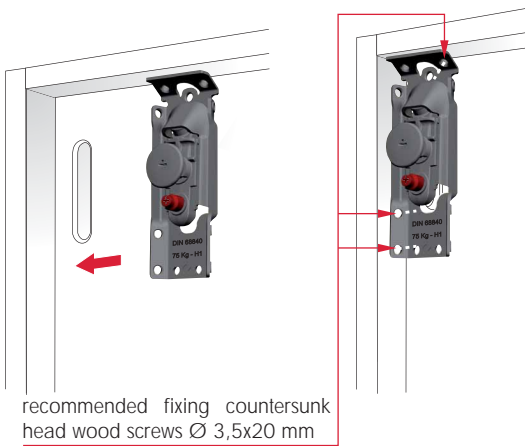
EN 15939:2019 - 65 Kg per piece

PATENTED

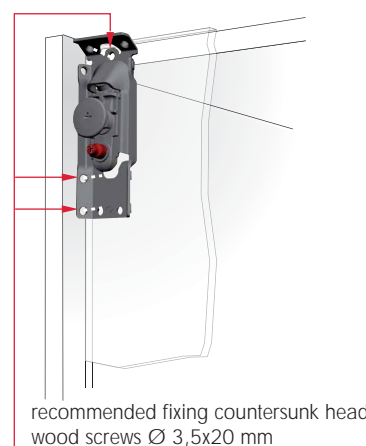
Certificates available on request.



### INSTALLATION UNDER THE CABINET TOP

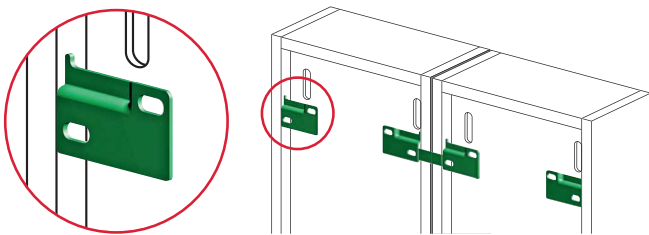


### ALTERNATIVE INSTALLATION



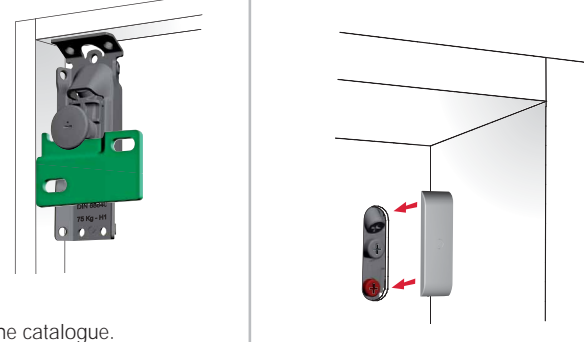
### INSTALLATION ON THE WALL

- For details refer to "LIBRA WALL PLATES"



### COVER CAP INSERTING

- For details refer to "LIBRA COVER CAPS"



### ADJUSTMENTS

1

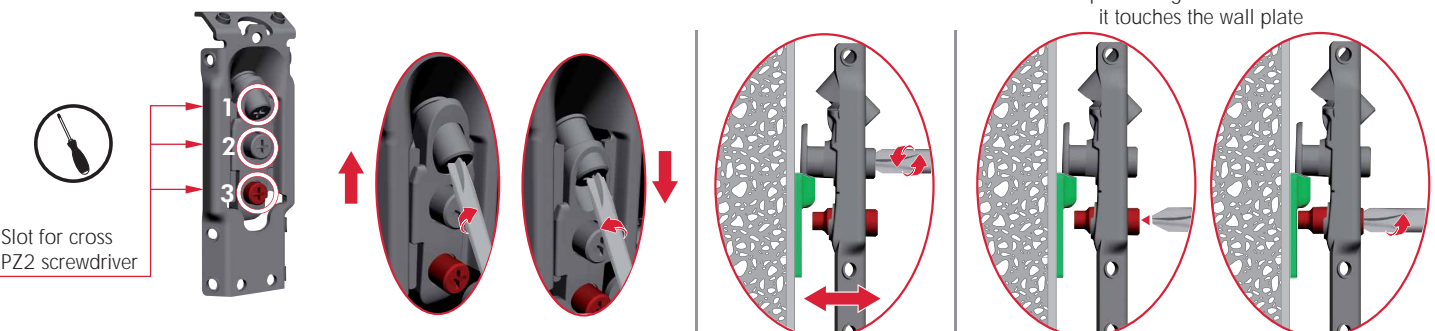
VERTICAL ADJUSTMENT  
13 mm

2

IN-DEPTH ADJUSTMENT  
12 mm

3

ANTI-TURNOVER LOCKING  
Stop screwing the red bolt when it touches the wall plate



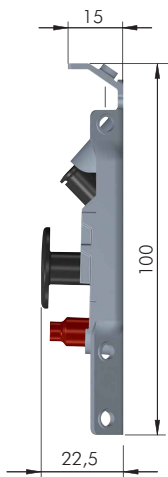
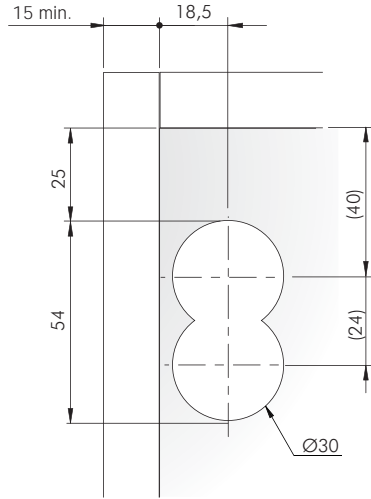
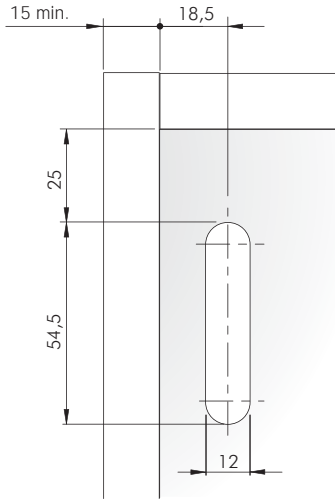
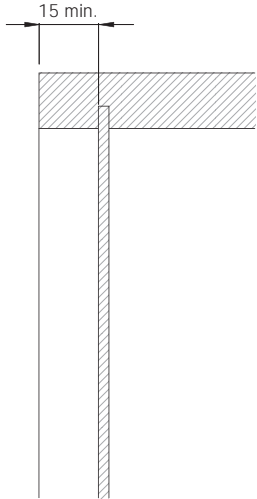
DRILLING PLAN FOR LIBRA H1 FIXED UNDER THE CABINET TOP

SIDE PANEL AND SERVICE GAP

BACK PANEL

Libra CC1-CC4-CC5 cover cap

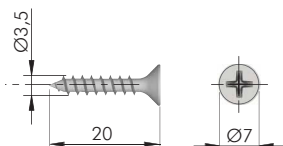
Libra CC2 cover cap



= PZ2  
 = 100 pcs.  
 123   
**63420015ZN**

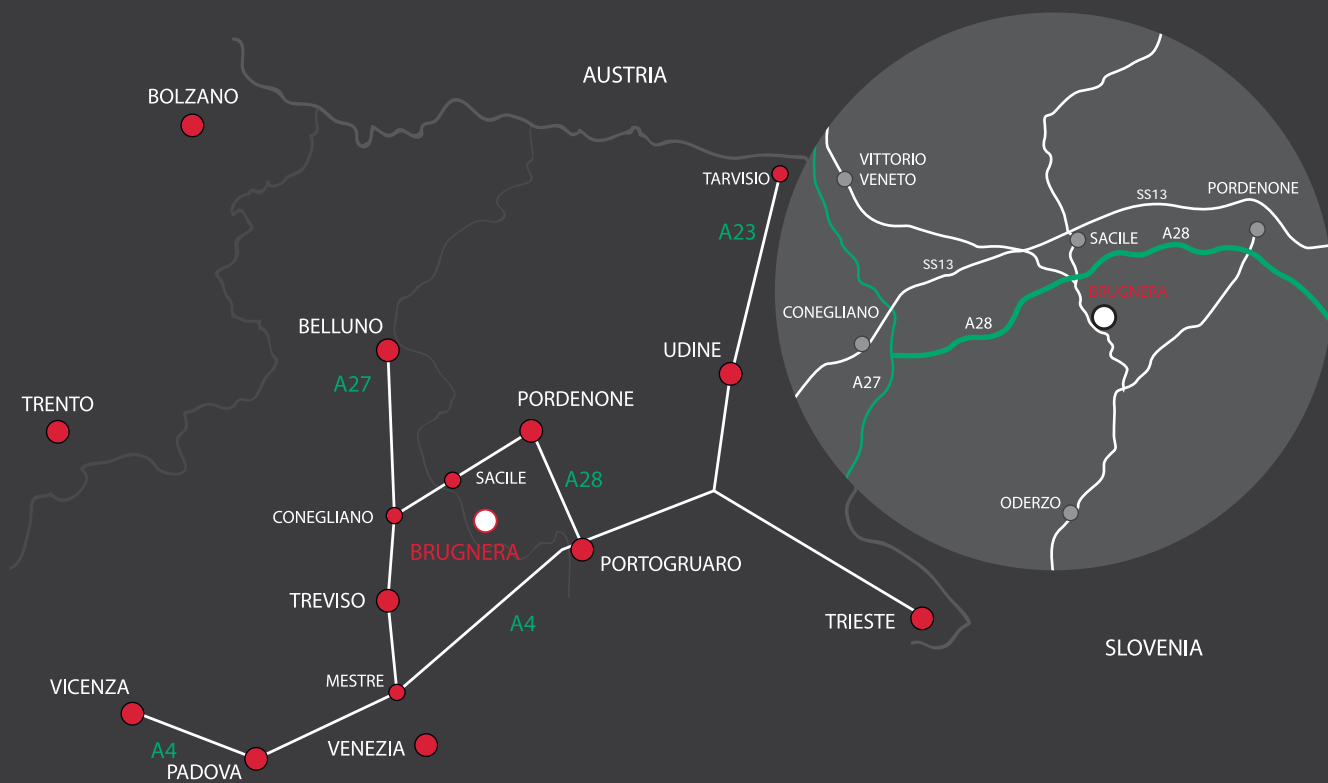
NOTE: for technical details about wall plates and cover caps please refer to the related sections "LIBRA WALL PLATES" on page 12.65 and "LIBRA COVER CAPS" on page 12.68.

## LIBRA H1 FIXING ACCESSORY



= PZ2 +   
 = 5000 pcs.  
 123   
**60101410ZN**





[www.italianaferramenta.it](http://www.italianaferramenta.it)