



 **ITALIANA**[®]
f e r r a m e n t a

K lock

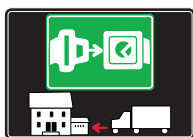
PUSH
CATCHES
AND
MAGNETIC
CATCHES





SYMBOLS AND FINISHES LEGEND

SYMBOLS



= SHELF SAFELY LOCKED DURING TRANSPORTATION AND AT HOME.



= ANTI-TURNOVER LOCKING SYSTEM



= NORMS / PATENTS



= PHILLIPS / POZIDRIV



= WITH BUFFER



= PART NO.



= BLADE SLOT



= WITH MAGNET



= PCS. PER PACKAGE



= COMBI SLOT



= HEXAGONAL SOCKET



= NEWTON



= CAPACITY LOADING



= HEXALOBULAR SOCKET



= FRICTION



= WOOD / GLASS THICKNESS



= COUNTERSUNK HEAD



= AUTOMATIC



= HOLE DIAMETER



= PAN HEAD



= DROP DOWN



= DIAMETER



= FLANGE HEAD



= LENGTH



= FLAT HEAD



= STANDARD HINGE



= HEIGHT



= TRILOBULAR SCREW



= KIMANA HINGE



= RIGHT VERSION



= SELF-TAPPING SCREW



= FLAP HINGE



= LEFT VERSION



= EURO THREAD



= WITH SPRING



= SETTING CODE



= METRIC THREAD



= WITHOUT SPRING



= PCS. PER PAD



= PRE-INSERTED SCREW



= REVERSED SPRING



= CUT ON REQUEST



= PRE-INSERTED SCREW AND SPREADING BUSH
















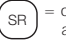









= SELF ADHESIVE



= WITH FLANGE

NOTE: Printing errors and omissions may exist despite our best efforts to ensure accuracy. We reserve the right to alter specifications without notice.

MATERIALS

| | | | | |
|---|---|--|--|--|
|  = Zinc Alloy |  = Steel |  = High Speed Steel |  = Brass |  = Acrylonitrile Butadiene Styrene |
|  = Nickel-plated Zinc Alloy |  = Zinc-plated Steel |  = Aluminium |  = Wood |  = Ethylene Vinyl Acetate |
|  = ENGINEERING PLASTIC | | +  = other engineering plastic available on request | |  = SOFT RUBBER |
| | | | | +  = other soft rubber available on request |
|  = Natural Engineering Plastic |  = Clear Engineering Plastic |  = Natural Soft Rubber | | |
|  = White Engineering Plastic |  = Grey Engineering Plastic |  = White Soft Rubber | | |
|  = Water Green Engineering Plastic |  = Anthracite Engineering Plastic |  = Black Soft Rubber | | |



FINISHES



+ OTHER FINISHES AVAILABLE ON REQUEST

| PART NO. | FINISHES | PART NO. | FINISHES | PART NO. | FINISHES |
|----------|----------------------|----------|--------------------------|----------|------------------------------|
| 00 | Insignificant finish | IF | Middle Grey | RO | Red |
| AA | Natural | IJ | Light Grey | UT | T-Met 9007 |
| AB | White | IL | Grey 20 | UZ | T-Met |
| AE | White 9010 | IN | Grey met. 26 | WA | Bronzed |
| EA | Black | JB | Bright Aluminium | WI | Burnished |
| EC | Matt Black | JC | Aluminium - Chrome | XD | Satin-finished Steel |
| EE | Anthracite | JD | Matt Aluminium | YA | Nickel-plated |
| EW | Grey 9007 | JE | Satin-finished Aluminium | YB | Bright Nickel-plated |
| FU | Gunmetal | JF | Aluminium - Brass | YC | Matt Nickel-plated |
| FV | Gunmetal V52 | JG | Aluminium 5 | YD | Satin-finished Nickel-plated |
| GR | Raw | JL | Aluminium PE 11 | YQ | Black Nickel |
| HA | Brass-Plated | JM | Aluminium RAL 9006 | Z9 | Black Zinc |
| HH | Tropicalized | KA | Chrome | ZA | Zinc alloy |
| HL | Raw Brass | KB | Bright Chrome | ZN | Zinc-plated |
| HX | Graphite | KC | Matt Chrome | ZQ | Bright Gold |
| IA | Grey | LD | Brown 8019 | ZY | Titanium |
| IB | Metallic Grey | NN | Metallic Beige | ZZ | Clear |



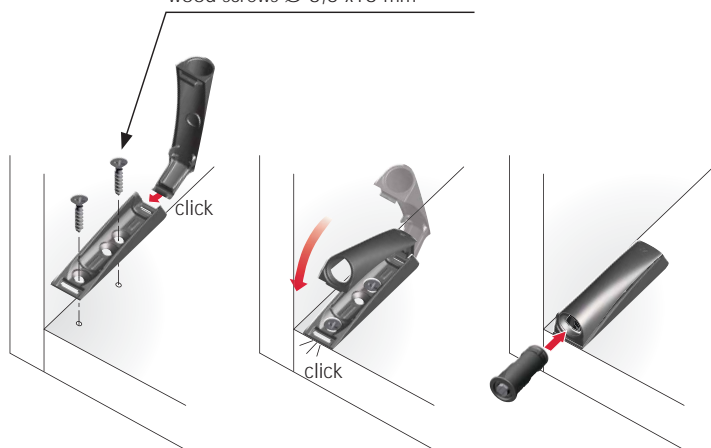
K LOCK



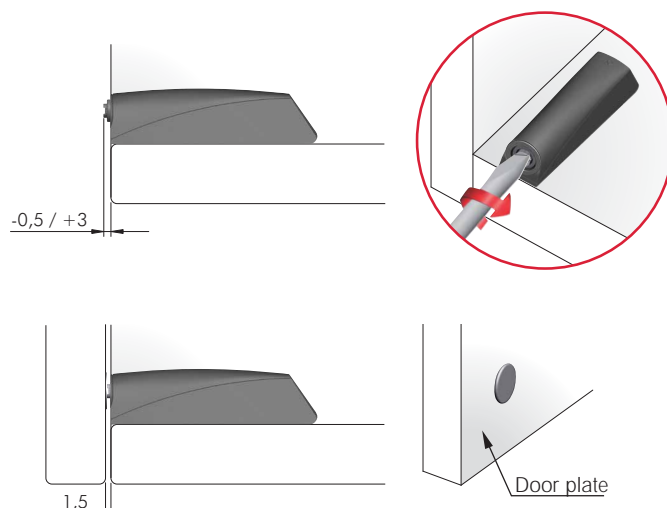
K LOCK is a magnetic system to safely keep the door closed. Suitable for unsprung or Flap/Piano hinges, K LOCK can be either embedded into the panel through a $\varnothing 10$ mm hole, or installed visible, fixed with adapter housing. K LOCK is available in three colors: white, anthracite and light grey. A 3,5 mm adjustment can be carried out by using a 1,2x6,5 mm blade screwdriver.

INSTALLATION THROUGH ADAPTER HOUSING

recommended countersunk head
wood screws $\varnothing 3,5 \times 16$ mm

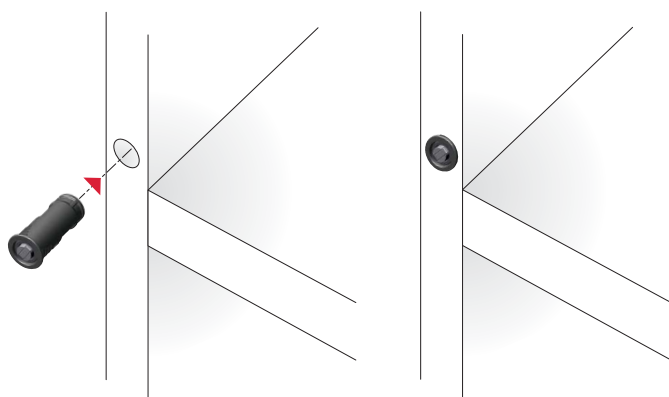


ADJUSTMENT



For details refer to
"K PUSH TECH AND
K LOCK DOOR PLATES".

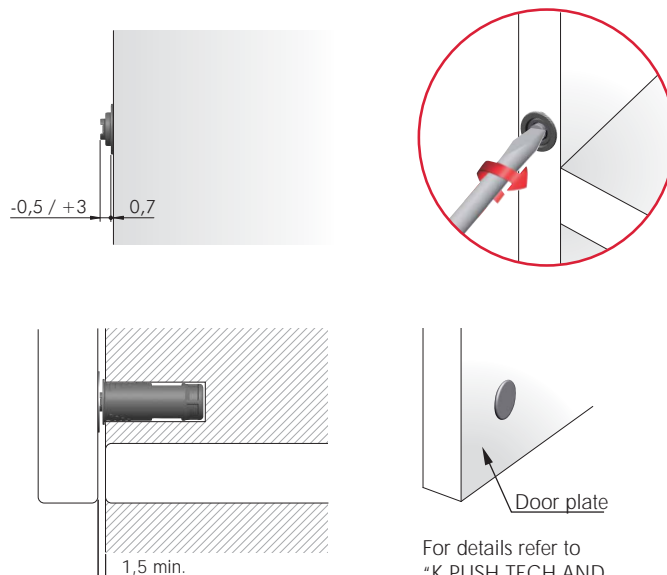
INSTALLATION TO BE EMBEDDED INSIDE THE PANEL



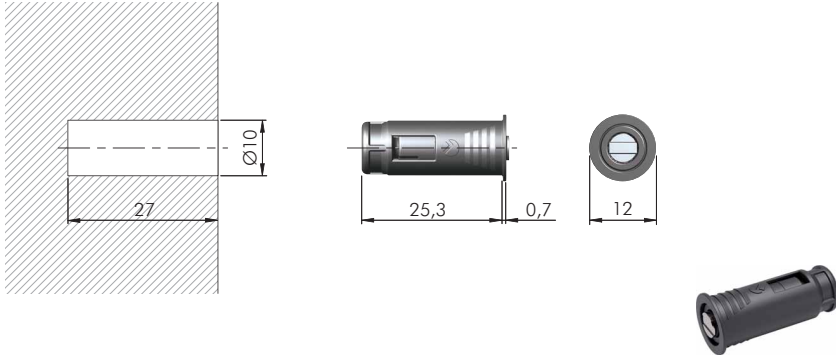
ATTENTION:

In case glue is added, make sure the quantity is carefully dosed, so that it doesn't reach the inner part of the mechanism, thus blocking the adjustment.

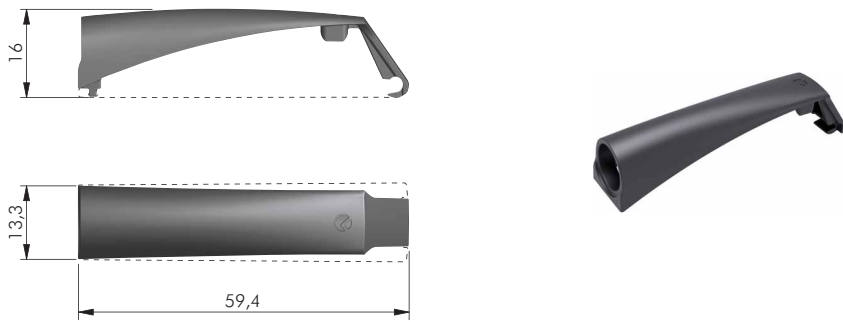
ADJUSTMENT



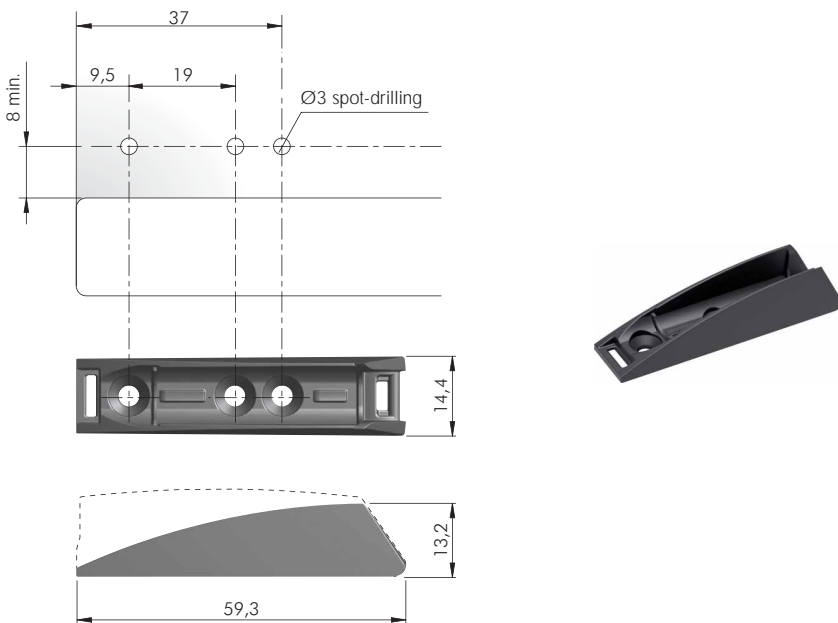
For details refer to
"K PUSH TECH AND
K LOCK DOOR PLATES".



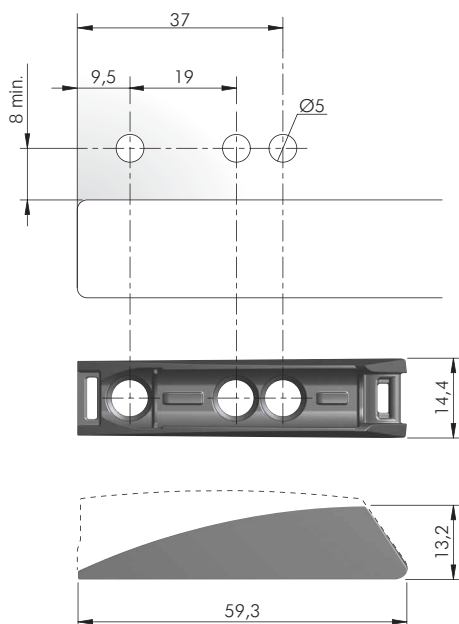
| | | | |
|------------|----|----|------------|
| | ST | EP | = 100 pcs. |
| | | | |
| 55007010EE | | | |
| 55007010IJ | | | |
| 55007010AB | | | |



| | |
|------------|------------|
| EP | = 100 pcs. |
| | |
| 57015020EE | |
| 57015020IJ | |
| 57015020AB | |

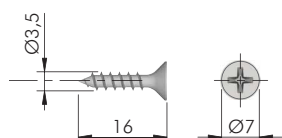


| | | | |
|------------|------------|----------|--|
| | | = Ø 3 mm | |
| EP | = 100 pcs. | | |
| | | | |
| 57015040EE | | | |
| 57015040IJ | | | |
| 57015040AB | | | |



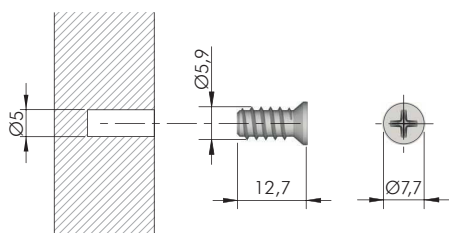
| | | | |
|----|--|------------|------------|
| | | = Ø 5 mm | |
| EP | | | = 100 pcs. |
| | | 57015060EE | |
| | | 57015060IJ | |
| | | 57015060AB | |

FIXING ACCESSORY FOR K LOCK ADAPTER PLATES PART NO. 57015040



| | | | |
|----|----------|------------|---------------|
| | = Ø 3 mm | | |
| | | | = PZ2 |
| ST | | | = 10.000 pcs. |
| | | 60101390ZN | |

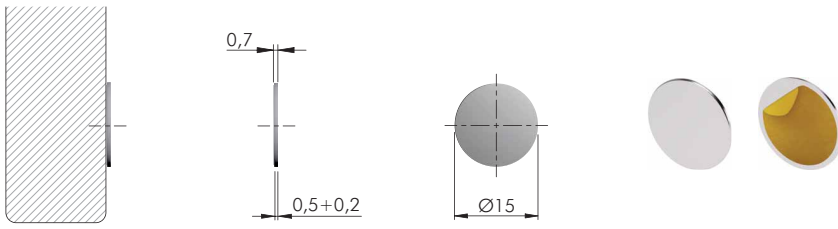
FIXING ACCESSORY FOR K LOCK ADAPTER PLATES PART NO. 57015060



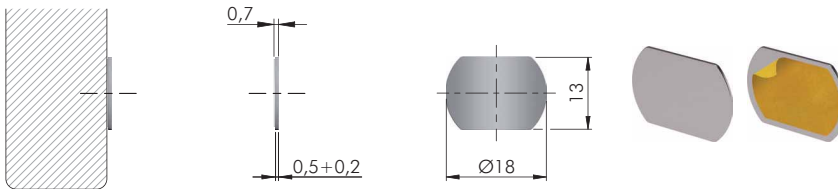
| | | | |
|----|----------|------------|-------------|
| | = Ø 5 mm | | |
| | | | = PZ2 |
| ST | | | = 5000 pcs. |
| | | 60501050YA | |



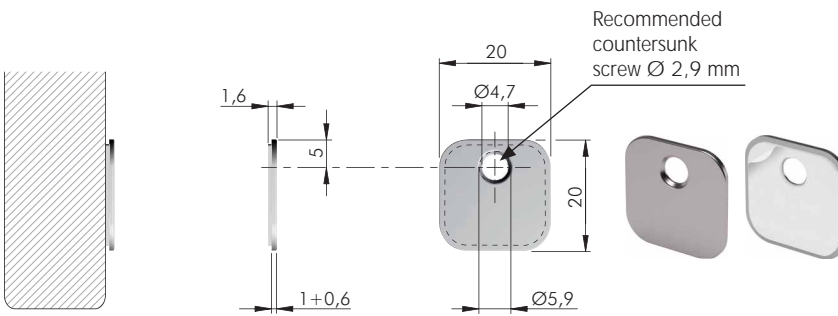
ADHESIVE DOOR PLATES



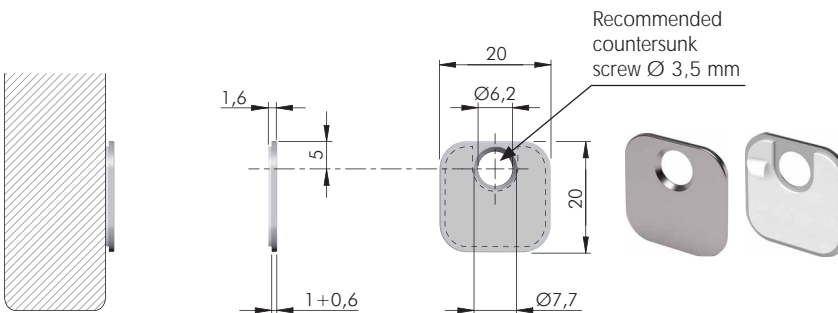
| | | |
|-------------------|--|------------|
| | | = 100 pcs. |
| | | |
| 55006160XD | | |



| | | |
|-------------------|--|------------|
| | | = 100 pcs. |
| | | |
| 55006200YA | | |



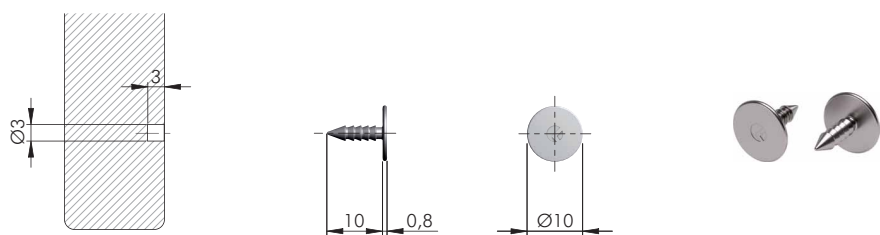
| | | |
|-------------------|--|------------|
| | | = 100 pcs. |
| | | |
| 55006210YA | | |



| | | |
|-------------------|--|------------|
| | | = 100 pcs. |
| | | |
| 55006240YA | | |



DOOR PLATES

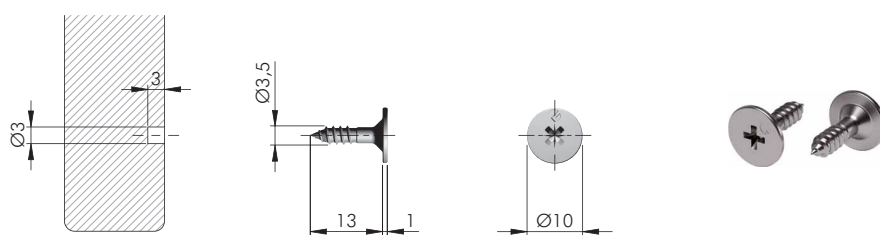


= Ø 3 mm

ST = 100 pcs.

123

55006030YA

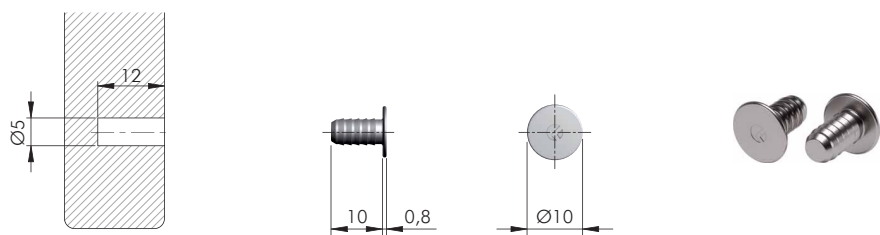


= Ø 3 mm = PZ2 = 100 pcs.

ST

123

55006100YA

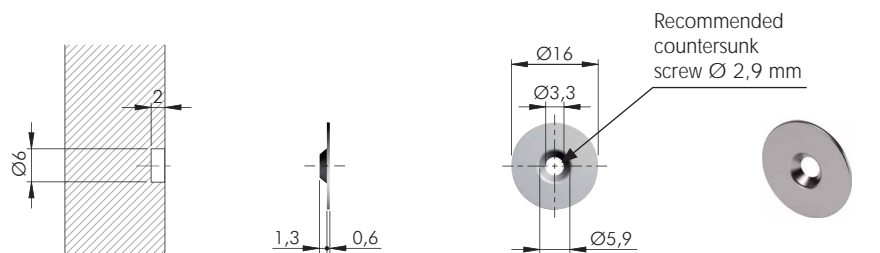


= Ø 5 mm

ST = 100 pcs.

123

55006040YA

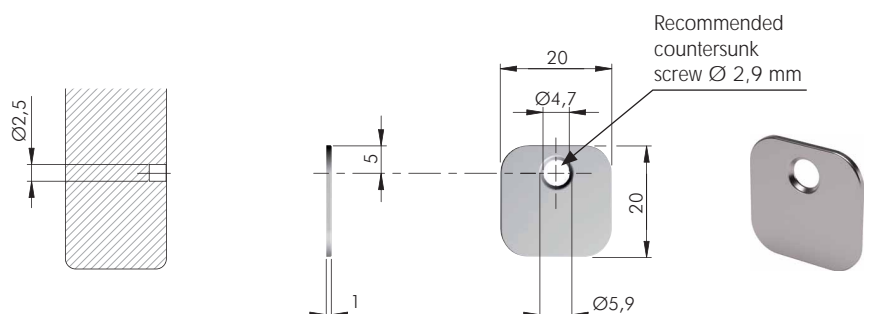


= Ø 6 mm

ST = 100 pcs.

123

55006130YA



= Ø 2,5 mm

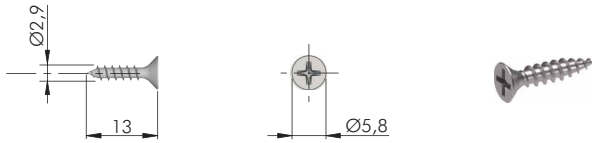
ST = 100 pcs.

123

55006120YA



FIXING ACCESSORIES



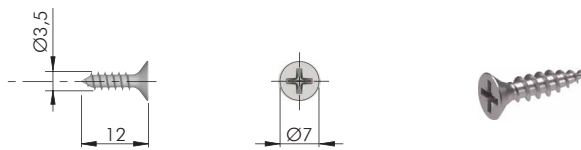
= Ø 2,5 mm

 = PZ1

 = on request

123

60201140YA



= Ø 3,5 mm

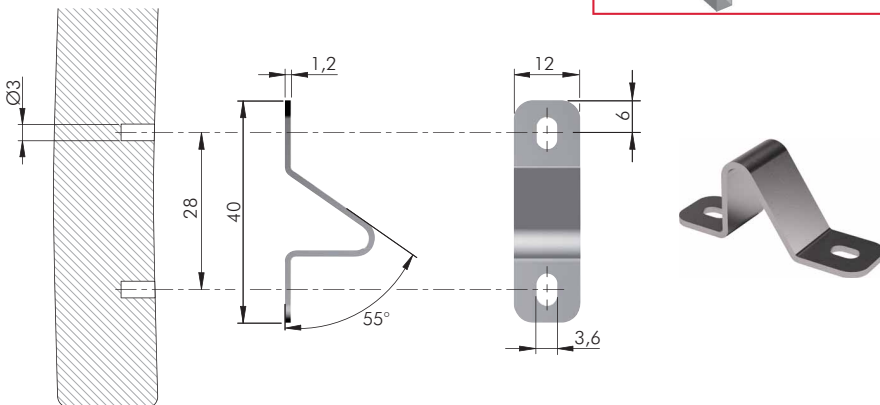
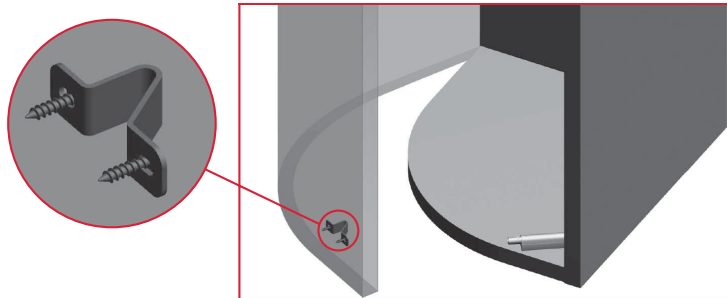
 = PZ1

 = on request

123

60101380YA

PLATE FOR K PUSH WITH ADAPTER HOUSING FOR CURVED DOORS

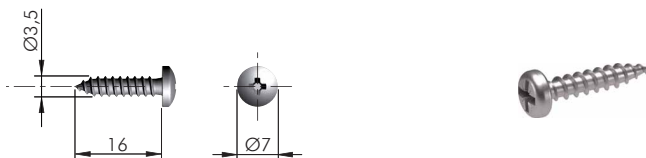


= Ø 3 mm

 = 100 pcs.

123

55006110YA



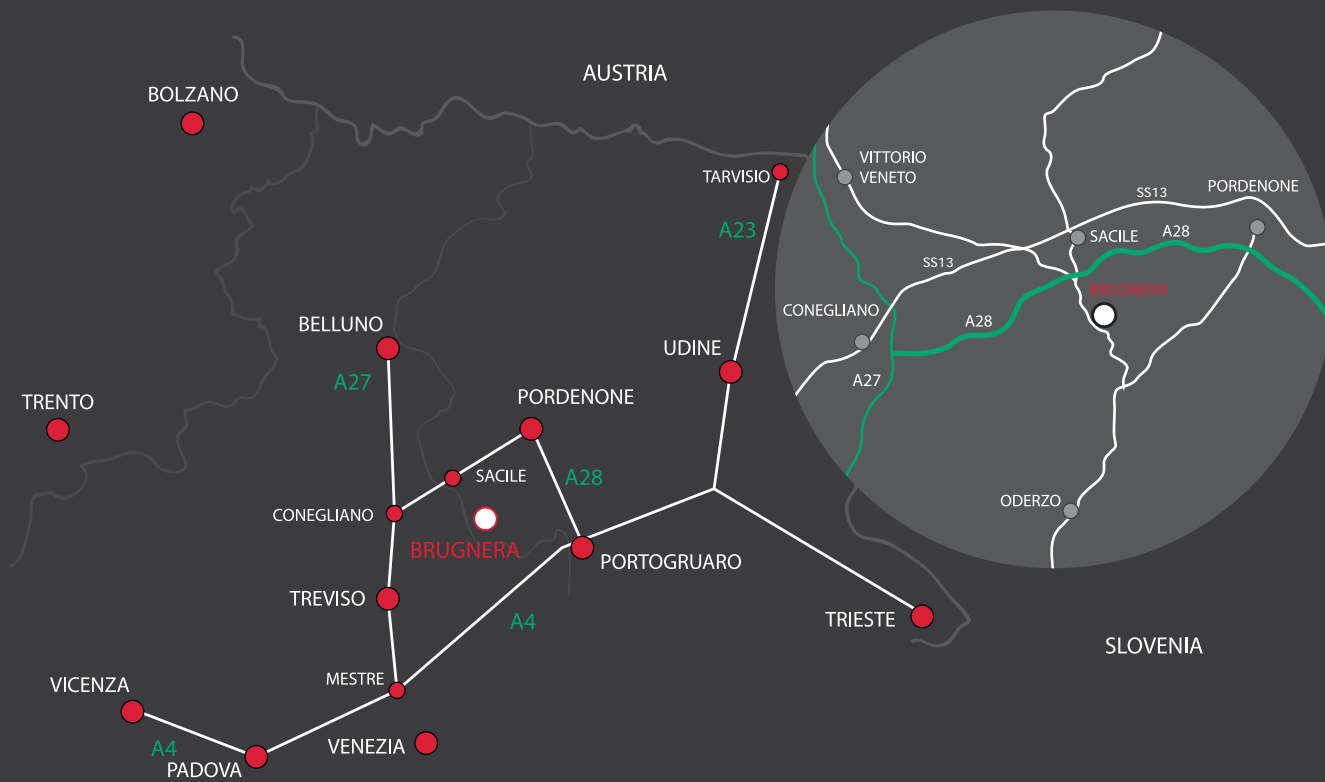
= Ø 3 mm

 = PZ1

 = on request

123

60103140YA



www.italianaferramenta.it