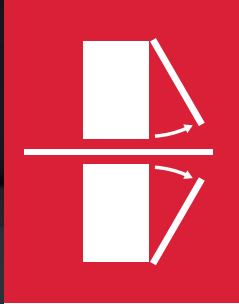




# K12 System & K12 System ADJ



OPENING  
SYSTEMS  
FOR FLAP  
AND DROP  
DOWN  
DOORS



# SYMBOLS AND FINISHES LEGEND

## SYMBOLS



= SHELF SAFELY LOCKED DURING TRANSPORTATION AND AT HOME.



= ANTI-TURNOVER LOCKING SYSTEM



= NORMS / PATENTS



= PHILLIPS / POZIDRIV



= WITH BUFFER



= PART NO.



= BLADE SLOT



= WITH MAGNET



= PCS. PER PACKAGE



= COMBI SLOT



= HEXAGONAL SOCKET



= NEWTON



= CAPACITY LOADING



= HEXALOBULAR SOCKET



= FRICTION



= WOOD / GLASS THICKNESS



= COUNTERSUNK HEAD



= AUTOMATIC



= HOLE DIAMETER



= PAN HEAD



= DROP DOWN



= DIAMETER



= FLANGE HEAD



= LENGTH



= FLAT HEAD



= STANDARD HINGE



= HEIGHT



= TRILOBULAR SCREW



= KIMANA HINGE



= RIGHT VERSION



= SELF-TAPPING SCREW



= FLAP HINGE



= LEFT VERSION



= EURO THREAD



= WITH SPRING



= SETTING CODE



= METRIC THREAD



= WITHOUT SPRING



= PCS. PER PAD



= PRE-INSERTED SCREW



= REVERSED SPRING



= CUT ON REQUEST



= PRE-INSERTED SCREW AND SPREADING BUSH



= SELF ADHESIVE



= WITH FLANGE

NOTE: Printing errors and omissions may exist despite our best efforts to ensure accuracy. We reserve the right to alter specifications without notice.

## MATERIALS

**ZA** = Zinc Alloy

**ST** = Steel

**HSS** = High Speed Steel

**BR** = Brass

**ABS** = Acrylonitrile Butadiene Styrene

**ZAnk** = Nickel-plated Zinc Alloy

**STzk** = Zinc-plated Steel

**AL** = Aluminium

**WD** = Wood

**EVA** = Ethylene Vinyl Acetate

**EP** = **ENGINEERING PLASTIC**

+ **EP** = other engineering plastic available on request

**SR** = **SOFT RUBBER**

+ **SR** = other soft rubber available on request

**EPn** = Natural Engineering Plastic

**EPc** = Clear Engineering Plastic

**SRn** = Natural Soft Rubber

**EPw** = White Engineering Plastic

**EPg** = Grey Engineering Plastic

**SRw** = White Soft Rubber

**EPwg** = Water Green Engineering Plastic

**SRb** = Black Soft Rubber



## FINISHES




= OTHER FINISHES AVAILABLE ON REQUEST

PART NO.	FINISHES	PART NO.	FINISHES	PART NO.	FINISHES
00	Insignificant finish	IF	Middle Grey	UT	T-Met 9007
AA	Natural	IJ	Light Grey	UZ	T-Met
AB	White	IL	Grey 20	WA	Bronzed
AE	White 9010	IN	Grey met. 26	WI	Burnished
EA	Black	JB	Bright Aluminium	XD	Satin-finished Steel
EC	Matt Black	JC	Aluminium - Chrome	YA	Nickel-plated
EE	Anthracite	JD	Matt Aluminium	YB	Bright Nickel-plated
EW	Grey 9007	JE	Satin-finished Aluminium	YC	Matt Nickel-plated
FU	Gunmetal	JF	Aluminium - Brass	YD	Satin-finished Nickel-plated
FV	Gunmetal V52	JG	Aluminium 5	YQ	Black Nickel
GR	Raw	JL	Aluminium PE 11	Z9	Black Zinc
HA	Brass-Plated	JM	Aluminium RAL 9006	ZA	Zinc alloy
HH	Tropicalized	KA	Chrome	ZN	Zinc-plated
HL	Raw Brass	KB	Bright Chrome	ZQ	Bright Gold
HX	Graphite	KC	Matt Chrome	ZY	Titanium
IA	Grey	NN	Metallic Beige	ZZ	Clear
IB	Metallic Grey	RO	Red		

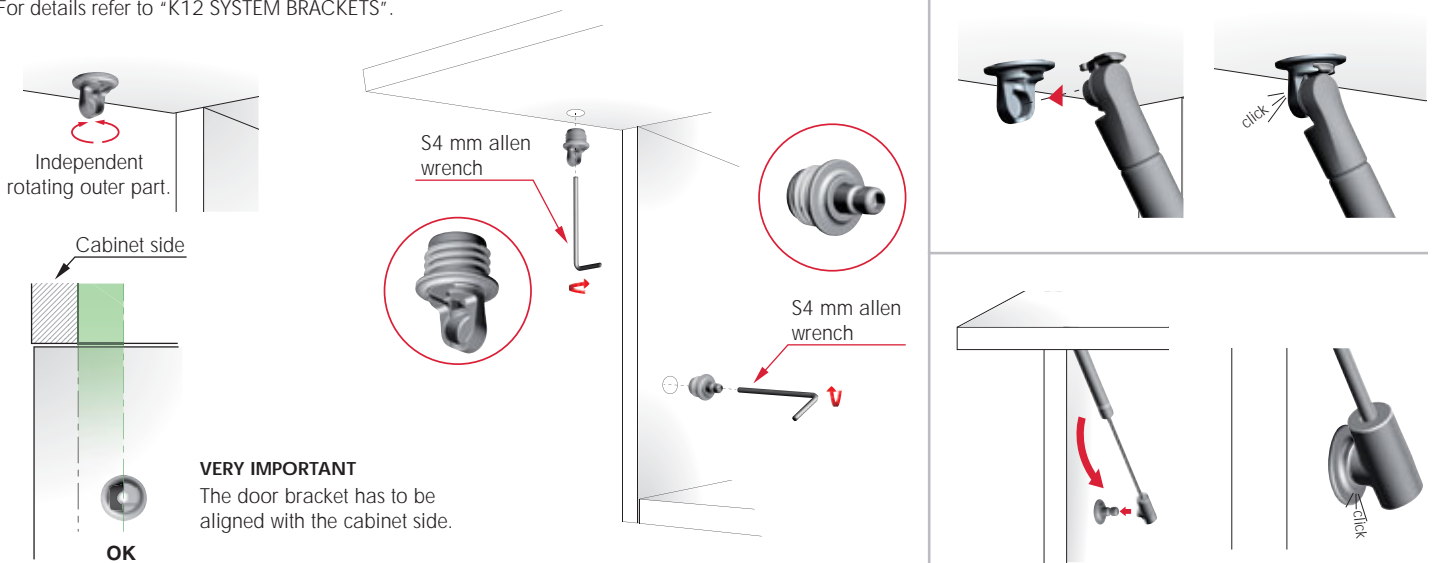
## K12 SYSTEM LIFT UP



REGISTERED DESIGN  
Certificates available on request. 

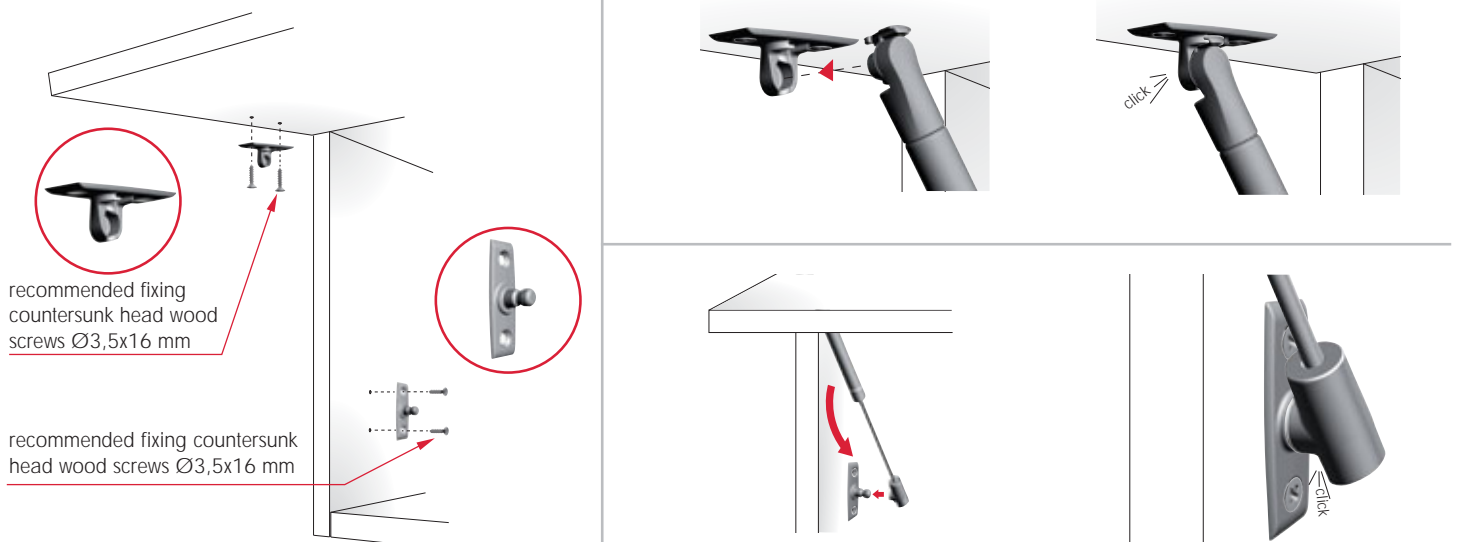
### BRACKET Ø15 INSTALLATION

- For details refer to "K12 SYSTEM BRACKETS".



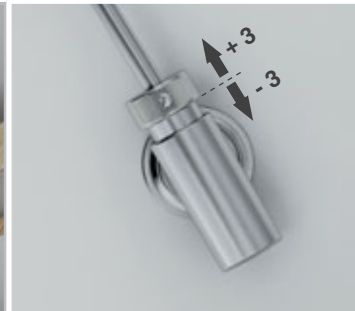
### SCREW FIXING BRACKETS INSTALLATION

- For details refer to "K12 SYSTEM BRACKETS".





## K12 SYSTEM ADJ LIFT UP

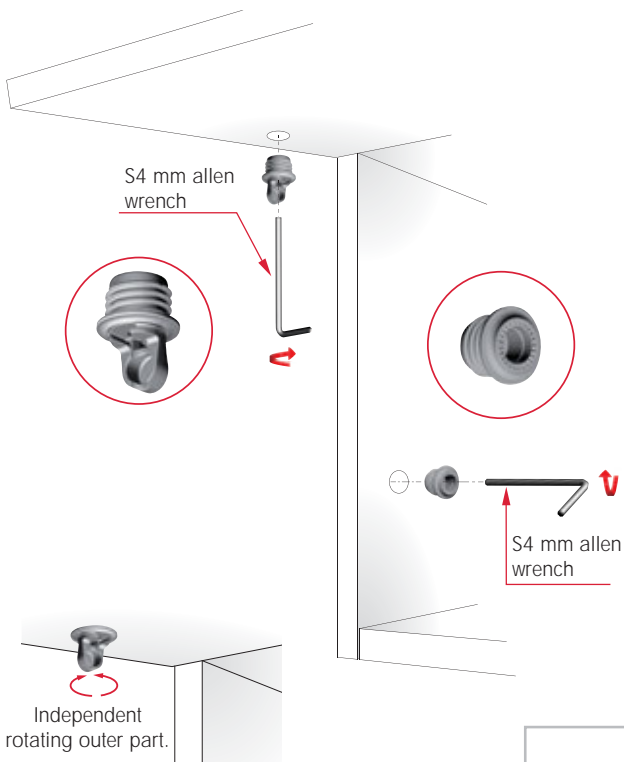


Certificates available on request.

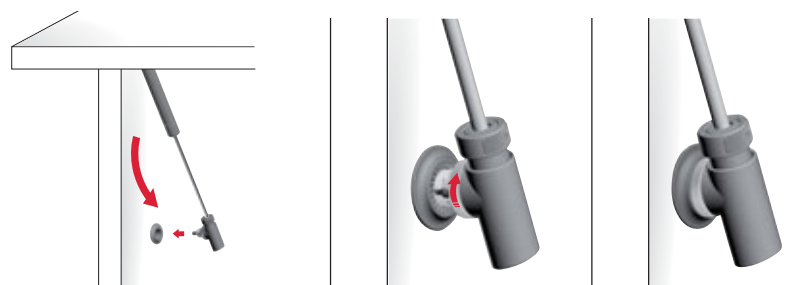


### INSTALLATION

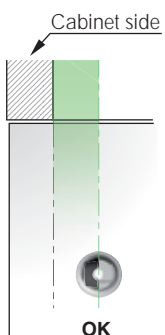
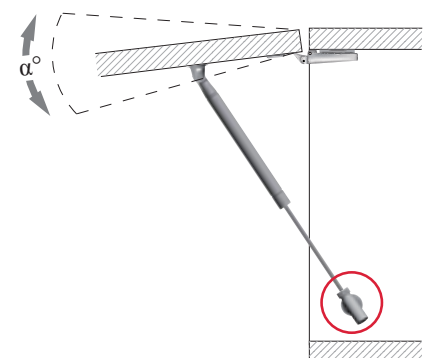
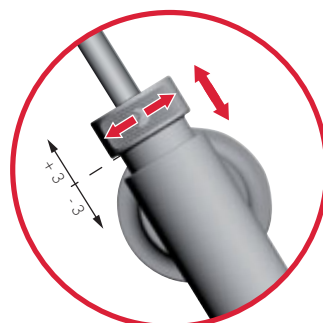
- For details refer to "K12 SYSTEM ADJ BRACKETS".



**LOCKING:** Rotate the plastic knob.



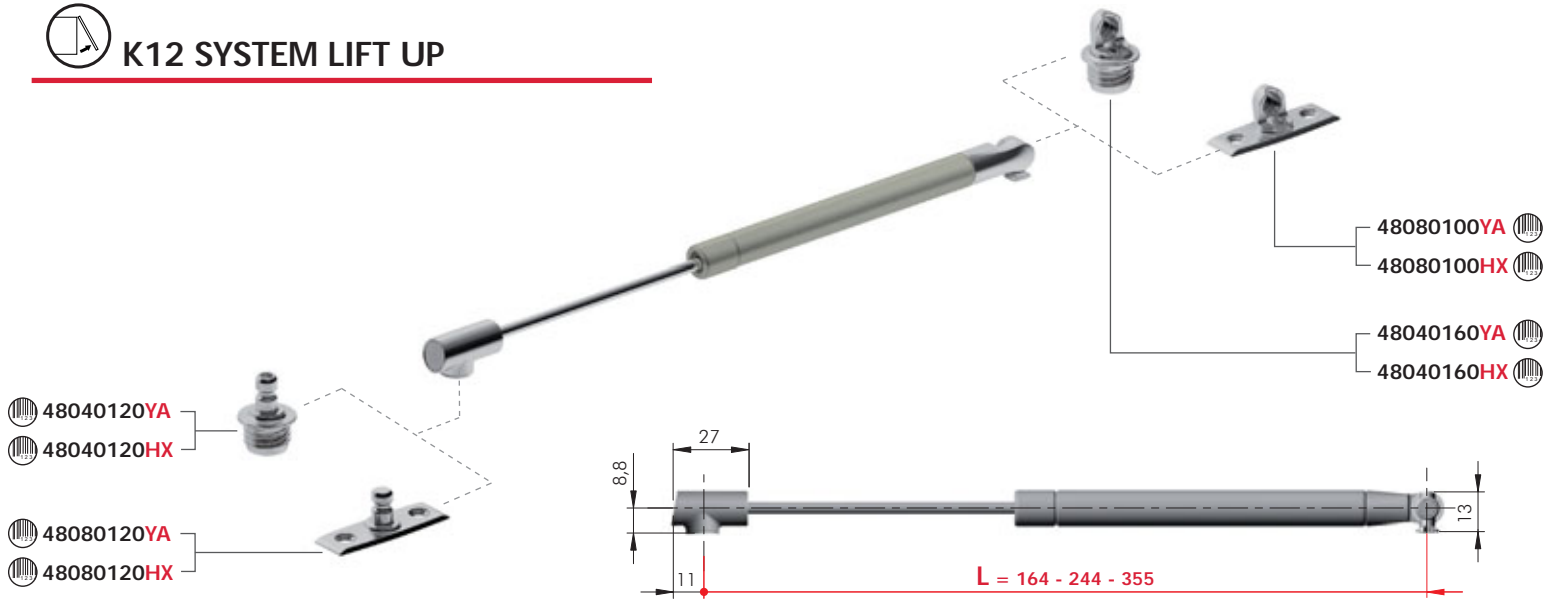
### ADJUSTMENT



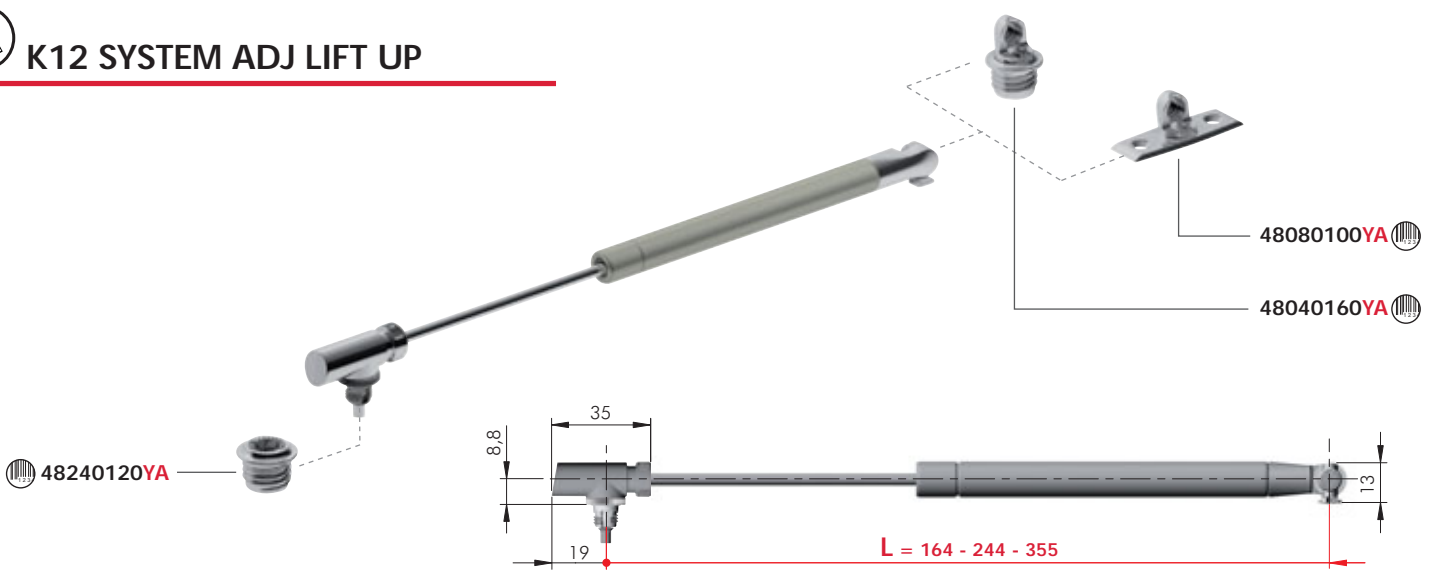
**VERY IMPORTANT**  
The door bracket has to be aligned with the cabinet side.



## K12 SYSTEM LIFT UP



## K12 SYSTEM ADJ LIFT UP



ZA EP ST

= 100 pcs. for L. 164 mm  
50 pcs. for L. 244 and 355 mm

L	K12 SYSTEM	K12 SYSTEM ADJ	N
164	48010420UZ	48210420UZ	50
	48010460UZ	48210460UZ	80
	48010500UZ	48210500UZ	100
	48010540UZ	48210540UZ	120

+ Part.no + HX

L	K12 SYSTEM	K12 SYSTEM ADJ	N
244	48020420UZ	48220420UZ	50
	48020460UZ	48220460UZ	80
	48020480UZ	48220480UZ	100
	48020500UZ	48220500UZ	120
	48020540UZ	48220540UZ	140

+ Part.no + HX

L	K12 SYSTEM	K12 SYSTEM ADJ	N
355	48030430UZ	48230430UZ	60
	48030470UZ	48230470UZ	90
	48030490UZ	48230490UZ	110

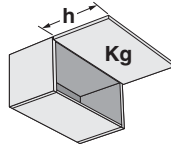
+ Part.no + HX

+ Part.no + HX = K12 System with end parts in graphite finish are available on request.

Further newton strengths available on request.



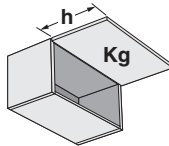
## Number of stays chart - L 164 mm



Rev. 02

h	Door weight (Kg)															
	1	1,5	2	2,5	3	3,5	4	4,5	5	5,5	6	6,5	7	7,5	8	8,5
200 - 224	2x50N		2x80N		2x100N		2x120N		3x120N		4x100N		4x120N			
225 - 274	2x50N		2x80N		2x100N		2x120N		3x120N		4x100N		4x120N			
275 - 300	2x50N		2x80N		2x100N		2x120N		3x100N		3x120N		4x100N		4x120N	

## Number of stays chart - L 244 mm

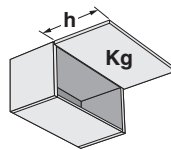


Rev. 02

h	Door weight (Kg)																								
	1	1,5	2	2,5	3	3,5	4	4,5	5	5,5	6	6,5	7	7,5	8	8,5	9	9,5	10	10,5	11	11,5	12	12,5	13
290 - 324	1x50N	1x80N		2x50N		2x80N						2x100N		2x120N		2x140N		2x160N*		2x180N*					
325 - 374	1x50N	1x80N	2x50N		2x80N						2x100N		2x120N		2x140N		2x160N*		2x180N*						
375 - 424	1x50N	1x80N	2x50N		2x80N				2x100N		2x120N		2x140N		2x160N*		2x180N*					3x140N			
425 - 474	1x50N	2x50N		2x80N				2x100N		2x120N		2x140N		2x160N*		2x180N*			3x160N*		3x180N*				
475 - 500	1x50N	2x50N		2x80N		2x100N		2x120N		2x140N		2x160N*		2x180N*		3x160N*			3x180N*						

\* Strenghs available on request.

## Number of stays chart - L 355 mm



Rev. 02

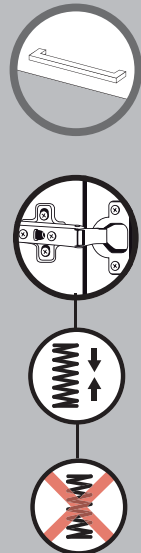
h	Door weight (Kg)																										
	1	1,5	2	2,5	3	3,5	4	4,5	5	5,5	6	6,5	7	7,5	8	8,5	9	9,5	10	10,5	11	11,5	12	12,5	13	13,5	
390 - 424	1x60N		1x90N		2x60N						2x90N						2x110N						3x90N				
425 - 474	1x60N		1x90N		2x60N						2x90N						2x110N						3x90N			3x110N	
475 - 524	1x60N		1x90N		2x60N				2x90N				2x110N				3x90N						3x110N		4x90N		
525 - 574	1x60N		1x90N		2x60N		2x90N				2x110N				3x90N						3x110N				4x90N		4x110N
575 - 600	1x90N		2x60N		2x90N				2x110N				3x90N						3x110N				4x90N		4x110N		

These are experimental results to be checked by the customer. Our Technical Department is at your disposal to test further cases out of this chart.

K12 SYSTEM CONFIGURATOR:

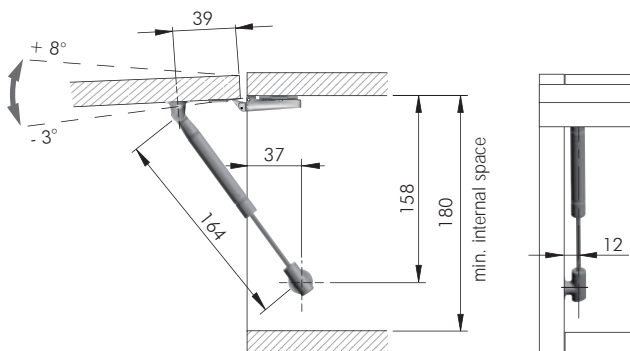


## LIFT UP DRILLING PLANS WITH STANDARD HINGES OPENING WITH HANDLE

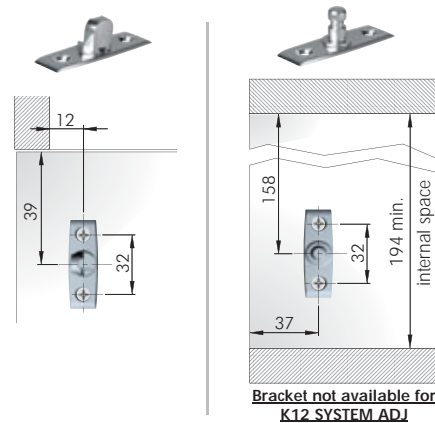


L 164 mm

Opening angle adjustment is possible only with K12 SYSTEM ADJ version.

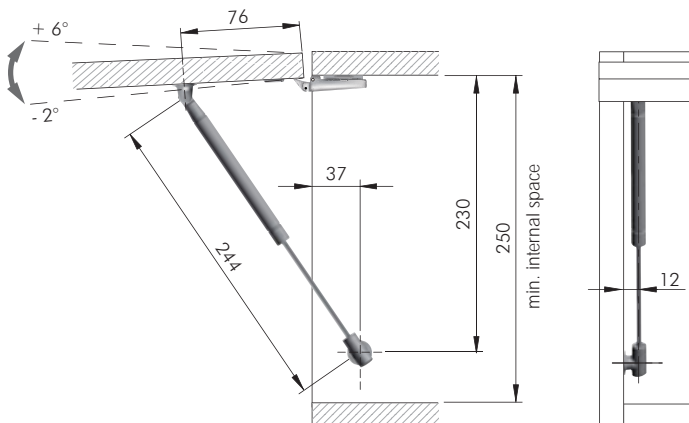


SCREW FIXING BRACKETS:

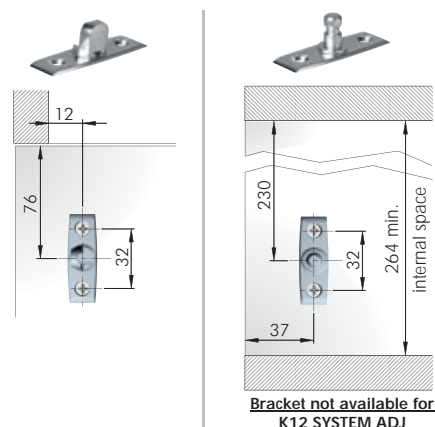


L 244 mm

Opening angle adjustment is possible only with K12 SYSTEM ADJ version.

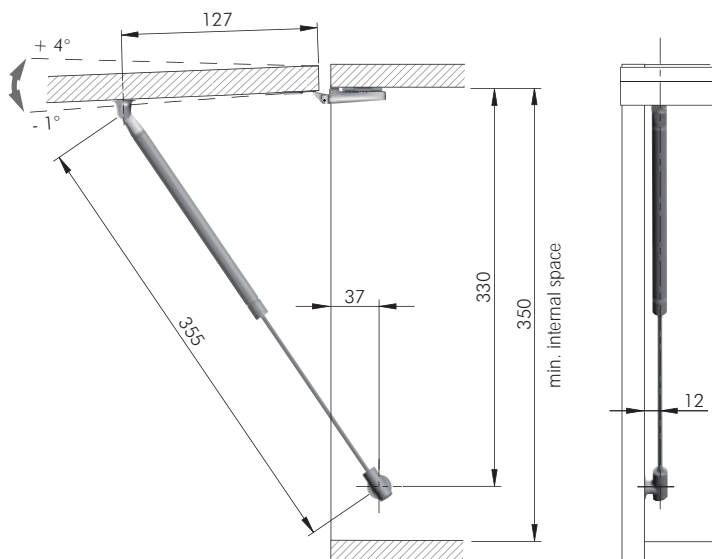


SCREW FIXING BRACKETS:

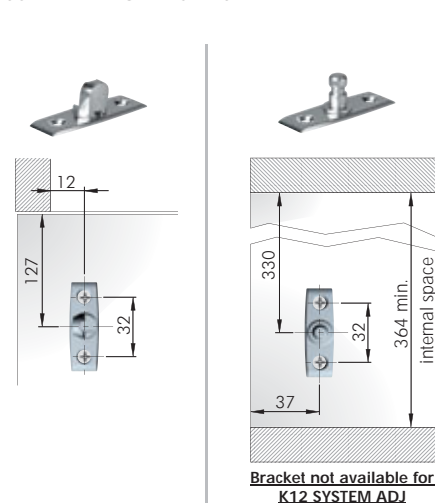


L 355 mm

Opening angle adjustment is possible only with K12 SYSTEM ADJ version.



SCREW FIXING BRACKETS:



The dimensions of the above drilling plans refer to carcasses which use **standard sprung or unsprung hinges** and mounting plates 0 mm. Please note that the opening angle varies with respect to the hinge brand and adjustment carried out.



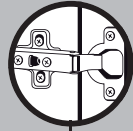
Please note that in case of use of **unsprung hinges**, magnet **K Lock** is required. For details refer to section "PUSH CATCHES & MAGNETIC CATCHES".





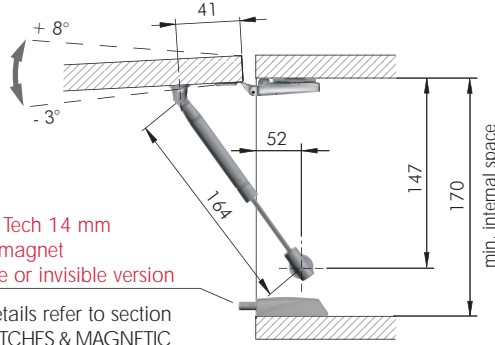
## LIFT UP DRILLING PLANS WITH STANDARD HINGES PUSH TO OPEN

K12 SYSTEM CONFIGURATOR:



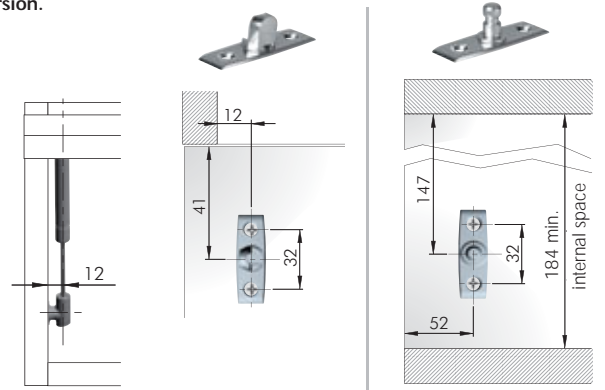
L 164 mm

Opening angle adjustment is possible only with K12 SYSTEM ADJ version.



K Push Tech 14 mm  
- With magnet  
- Visible or invisible version  
For details refer to section "PUSH CATCHES & MAGNETIC CATCHES".

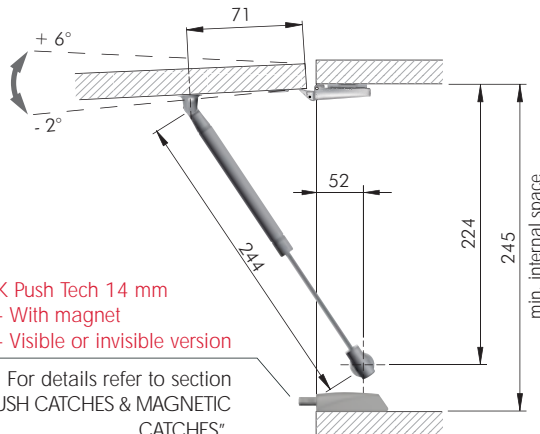
SCREW FIXING BRACKETS:



Bracket not available for K12 SYSTEM ADJ

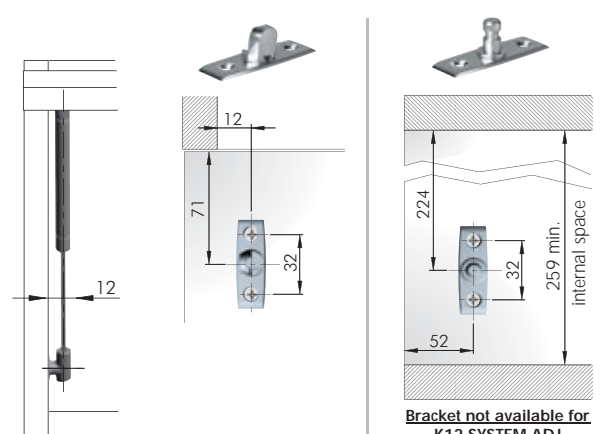
L 244 mm

Opening angle adjustment is possible only with K12 SYSTEM ADJ version.



K Push Tech 14 mm  
- With magnet  
- Visible or invisible version  
For details refer to section "PUSH CATCHES & MAGNETIC CATCHES".

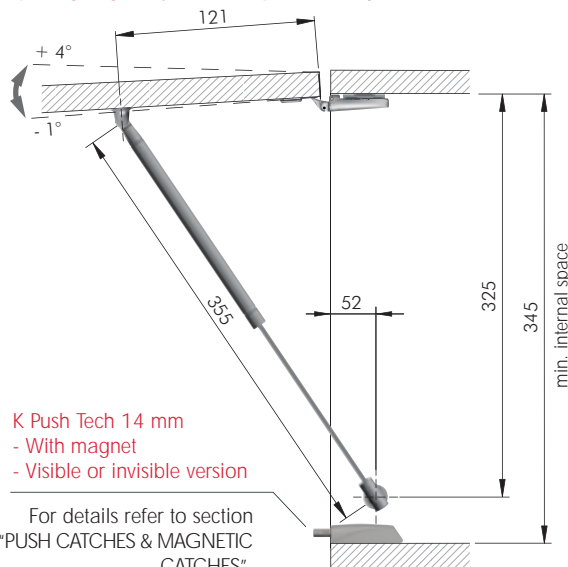
SCREW FIXING BRACKETS:



Bracket not available for K12 SYSTEM ADJ

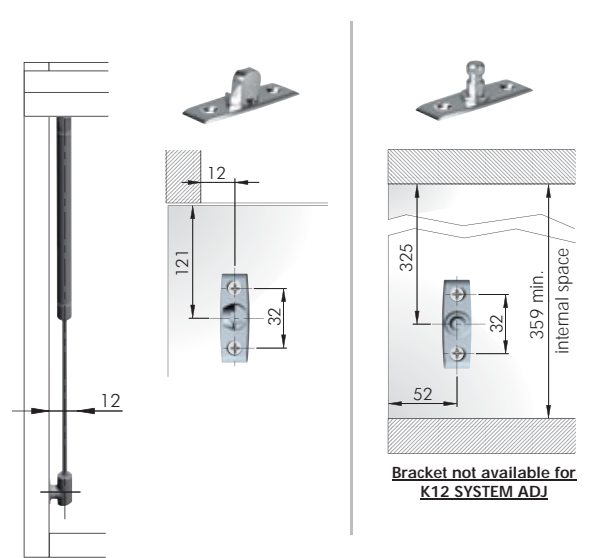
L 355 mm

Opening angle adjustment is possible only with K12 SYSTEM ADJ version.



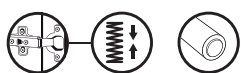
K Push Tech 14 mm  
- With magnet  
- Visible or invisible version  
For details refer to section "PUSH CATCHES & MAGNETIC CATCHES".

SCREW FIXING BRACKETS:



Bracket not available for K12 SYSTEM ADJ

The dimensions of the above drilling plan refer to carcasses which use **standard unsprung hinges** and mounting plates 0 mm. Please note that the opening angle varies with respect to the hinge brand and adjustment carried out.




Please note that utilization with **standard sprung hinges** and **K Push Tech with buffer** is also possible. In such case, after the door is initially released by K Push Tech, a manual opening approx. 7cm is required (in order to win the spring resistance). Consequently, the door will automatically open to the fullest. For details refer to section "PUSH CATCHES & MAGNETIC CATCHES".



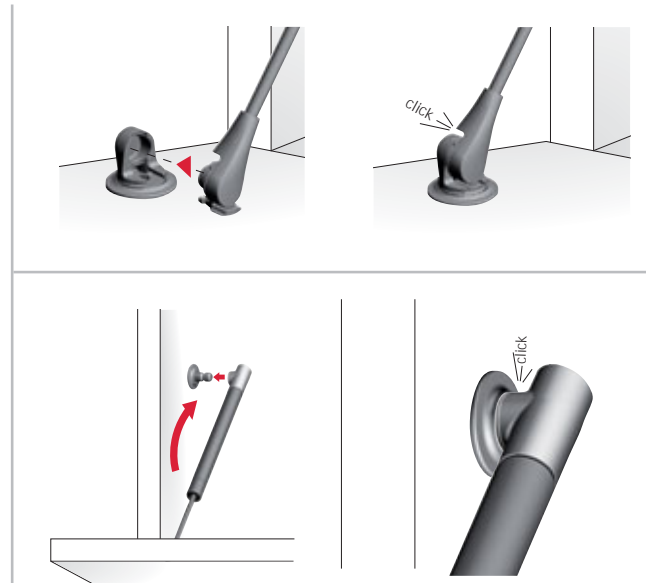
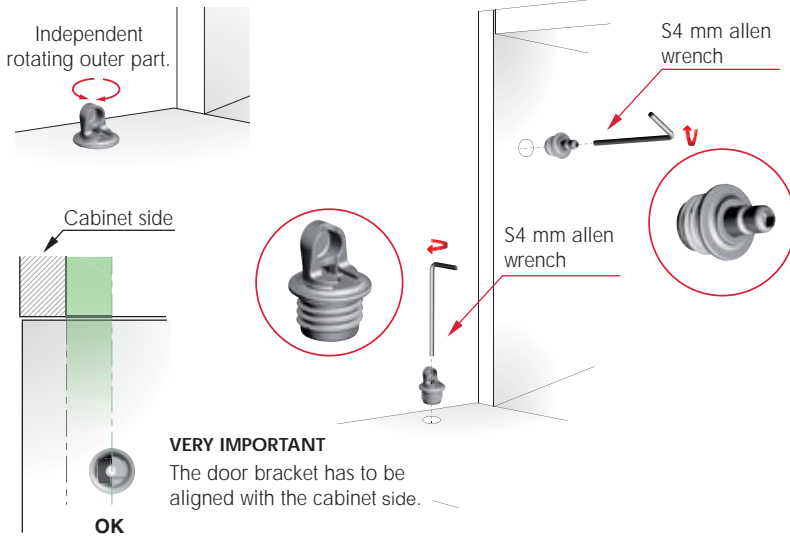
## K12 SYSTEM DROP DOWN



REGISTERED DESIGN  
Certificates available on request. 

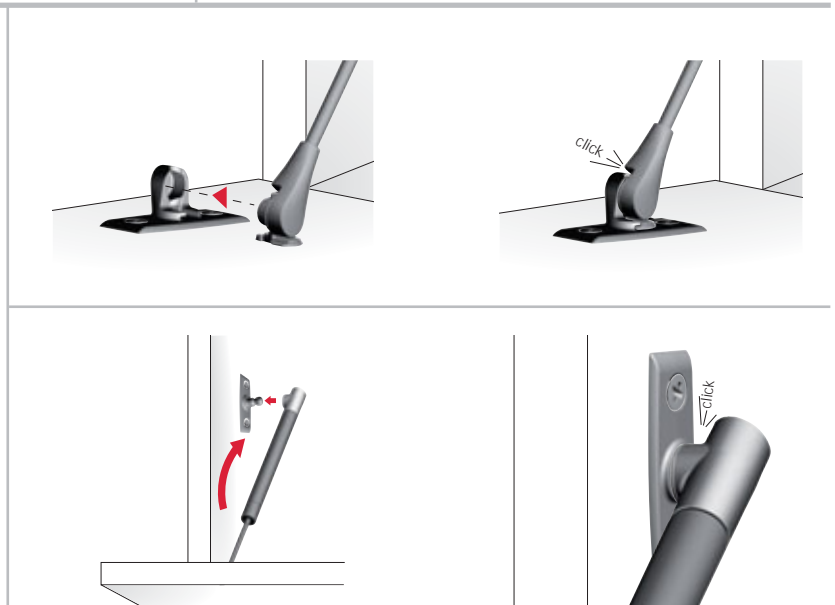
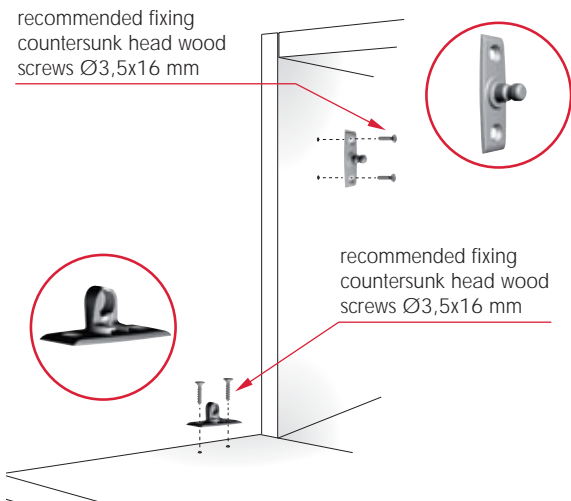
### BRACKET Ø15 INSTALLATION

- For details refer to "K12 SYSTEM BRACKETS".



### SCREW FIXING BRACKETS INSTALLATION

- For details refer to "K12 SYSTEM BRACKETS".





**K12 SYSTEM ADJ DROP DOWN**

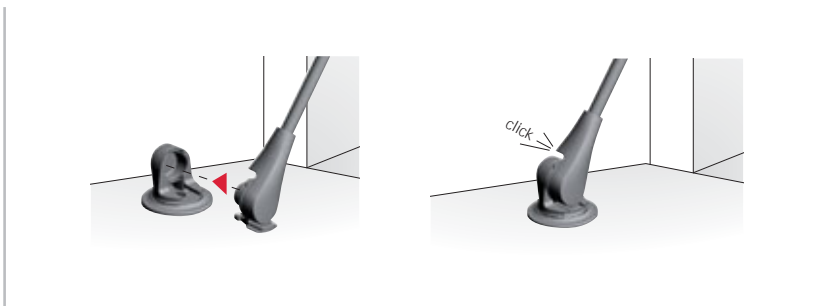
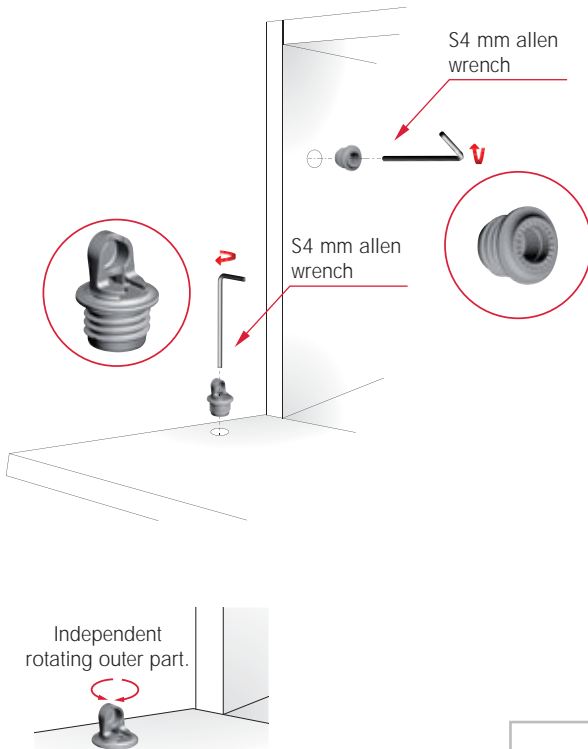


Certificates available on request.

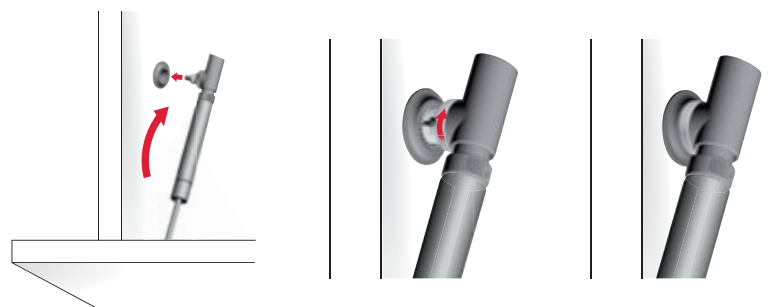


**BRACKET Ø15 INSTALLATION**

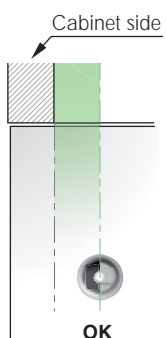
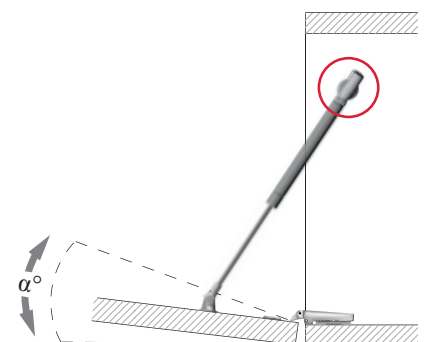
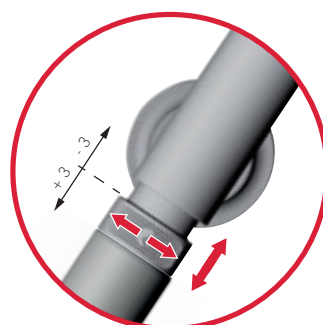
- For details refer to "K12 SYSTEM ADJ BRACKETS".



**LOCKING:** Rotate the plastic knob.

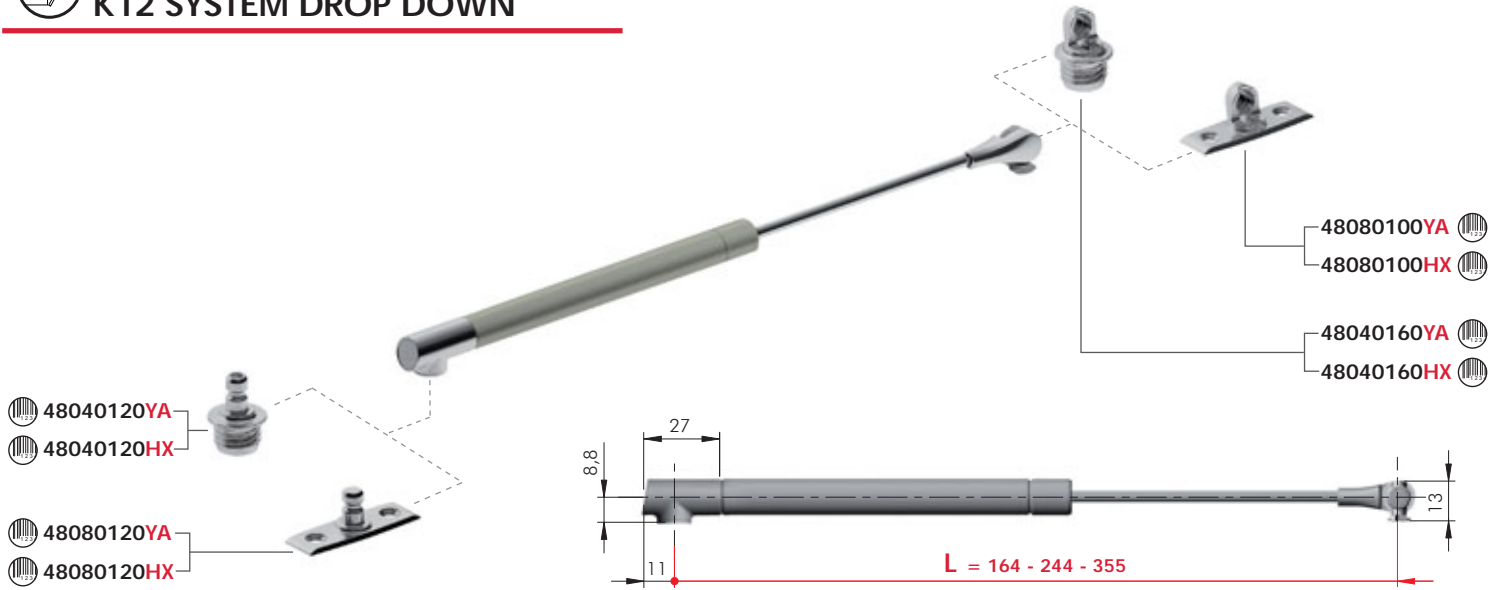


**ADJUSTMENT**

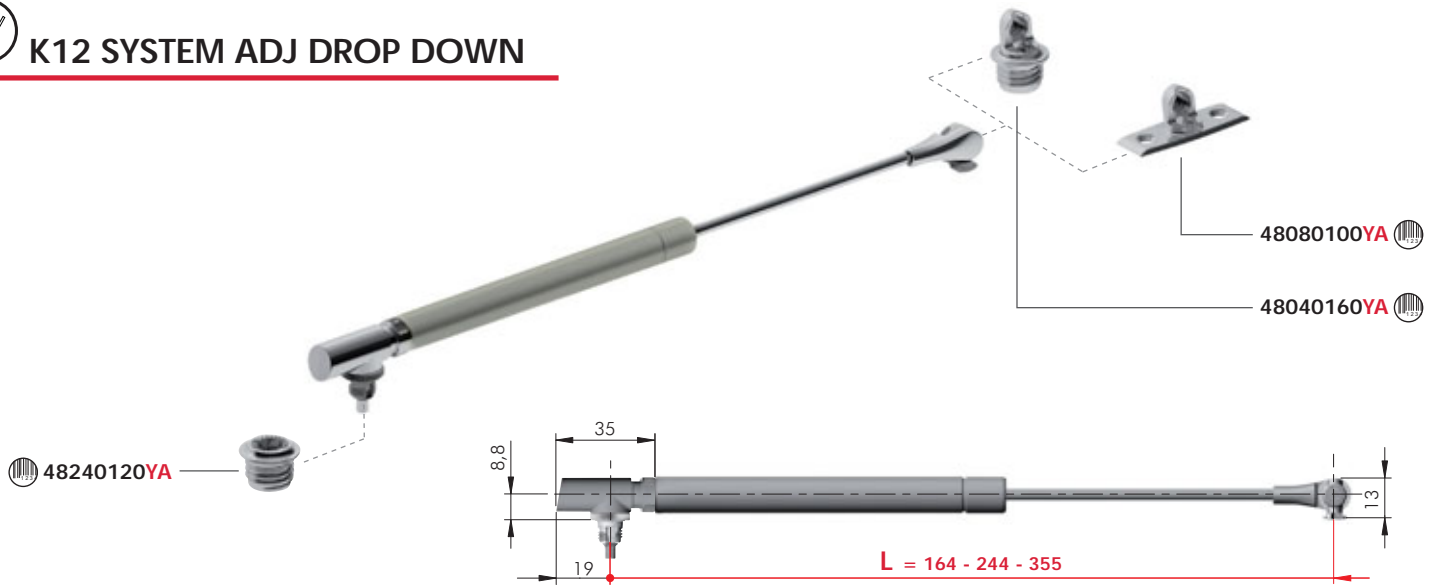


**VERY IMPORTANT**  
The door bracket has to be aligned with the cabinet side.

## K12 SYSTEM DROP DOWN



## K12 SYSTEM ADJ DROP DOWN



ZA EP ST

= 100 pcs. for L. 164 mm  
50 pcs. for L. 244 and 355 mm

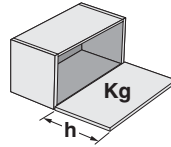
L	K12 SYSTEM	K12 SYSTEM ADJ
164	48050200UZ	48250200UZ
244	48060200UZ	48260200UZ
355	48070200UZ	48270200UZ

+ Part.no + HX

+ Part.no + HX = K12 System with end parts in graphite finish are available on request.



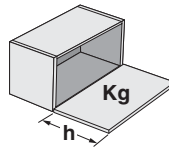
## Number of stays chart - L 164 mm



Rev. 02

h	Door weight (Kg)					
	1	2	3	4	5	6
200 - 224	1 x K12		2 x K12			
225 - 274	1 x K12	2 x K12			3 x K12	
275 - 300	1 x K12	2 x K12		3 x K12		

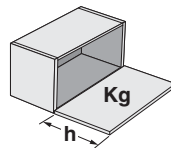
## Number of stays chart - L 244 mm



Rev. 02

h	Door weight (Kg)												
	1	2	3	4	5	6	7	8	9	10	11	12	13
290 - 324	1 x K12		2 x K12				3 x K12				4 x K12		
325 - 374	1 x K12		2 x K12				3 x K12				4 x K12		
375 - 424	1 x K12		2 x K12			3 x K12				4 x K12			
425 - 474	1 x K12		2 x K12		3 x K12			4 x K12				-	
475 - 500	1 x K12		2 x K12		3 x K12		4 x K12				-		

## Number of stays chart - L 355 mm



Rev. 02

h	Door weight (Kg)												
	1	2	3	4	5	6	7	8	9	10	11	12	13
390 - 424	-		1 x K12			2 x K12					3 x K12		
425 - 474	-		1 x K12			2 x K12					3 x K12		
475 - 524	-		1 x K12			2 x K12					3 x K12		
525 - 574	-		1 x K12			2 x K12			3 x K12				
575 - 600	1 x K12		2 x K12				3 x K12					4 x K12	

These are experimental results to be checked by the customer. **In accordance with the actual European regulation, we suggest to use at least two stays for each door.** Our technical department is at your disposal to test further cases out of this chart.

K12 SYSTEM CONFIGURATOR:



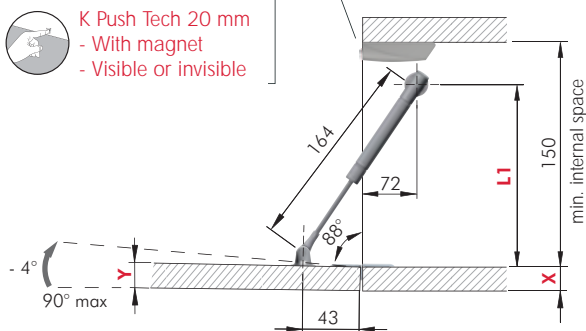
## DROP DOWN DRILLING PLANS WITH KIMANA HINGE

L 164 mm

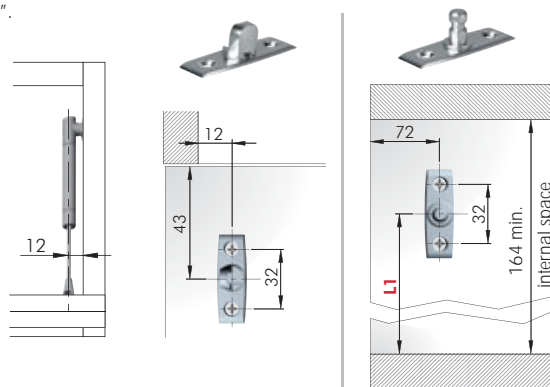
Magnet K Lock visible or invisible

K Push Tech 20 mm  
- With magnet  
- Visible or invisible

For details refer to section "PUSH CATCHES & MAGNETIC CATCHES".



SCREW FIXING BRACKETS:



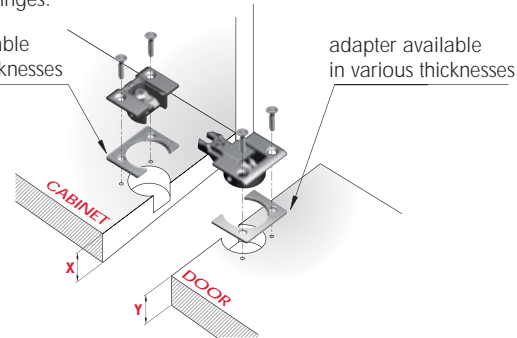
Bracket not available for K12 SYSTEM ADJ

**Opening angle adjustment** is possible only with K12 SYSTEM ADJ version.

⚠ Overcrossing 90° door opening angle, it negatively effects the Kimana hinges.

Cabinet (X)		Door (Y)		L1
16 mm	4 mm	16 mm	2 mm	129
16 mm	4 mm	19 mm	-	131
18 mm	2 mm	18 mm	-	129
19 mm	-	16 mm	2 mm	125
19 mm	-	19 mm	-	127
20 mm	-	20 mm	-	127

adapter available in various thicknesses



adapter available in various thicknesses

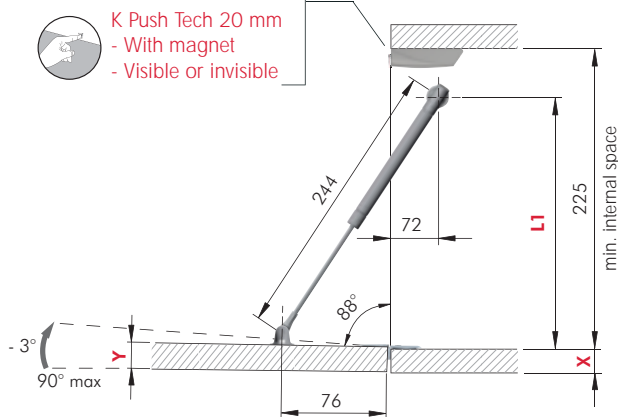
For Kimana and adapter details refer to section "HINGES".

L 244 mm

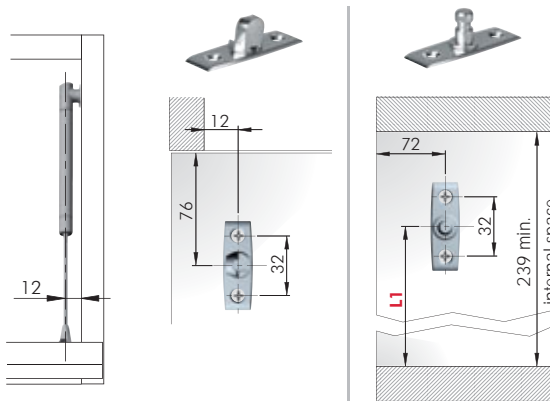
Magnet K Lock visible or invisible

K Push Tech 20 mm  
- With magnet  
- Visible or invisible

For details refer to section "PUSH CATCHES & MAGNETIC CATCHES".



SCREW FIXING BRACKETS:



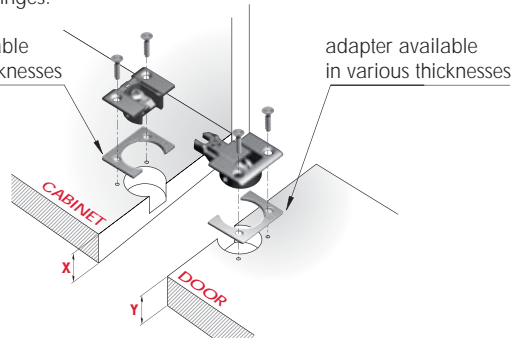
Bracket not available for K12 SYSTEM ADJ

**Opening angle adjustment** is possible only with K12 SYSTEM ADJ version.

⚠ Overcrossing 90° door opening angle, it negatively effects the Kimana hinges.

Cabinet (X)		Door (Y)		L1
16 mm	4 mm	16 mm	2 mm	208
16 mm	4 mm	19 mm	-	210
18 mm	2 mm	18 mm	-	208
19 mm	-	16 mm	2 mm	204
19 mm	-	19 mm	-	206
20 mm	-	20 mm	-	206

adapter available in various thicknesses



adapter available in various thicknesses

For Kimana and adapter details refer to section "HINGES".



L 355 mm

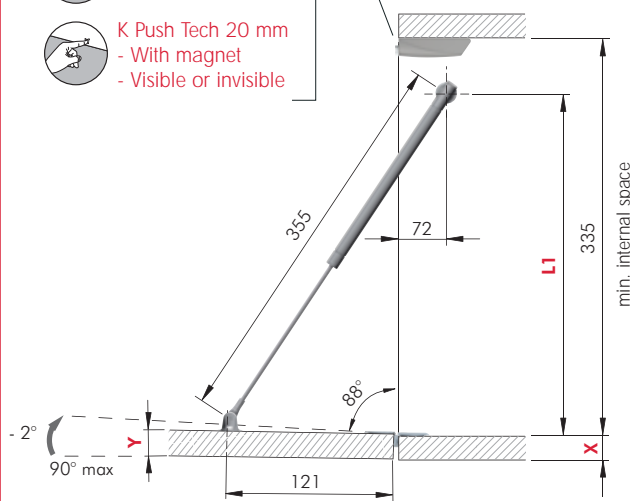


Magnet K Lock  
visible or invisible

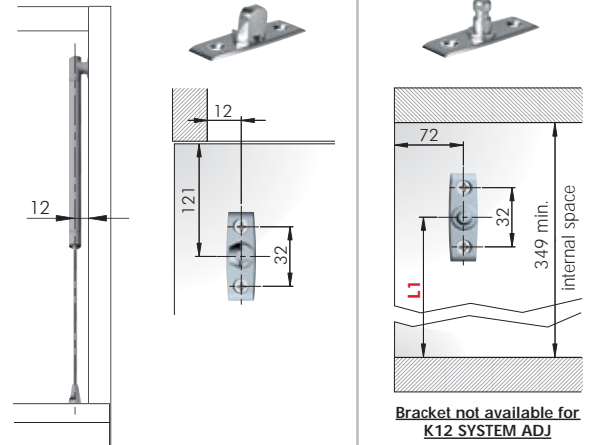


K Push Tech 20 mm  
- With magnet  
- Visible or invisible

For details refer to section  
"PUSH CATCHES & MAGNETIC CATCHES".





**SCREW FIXING BRACKETS:**

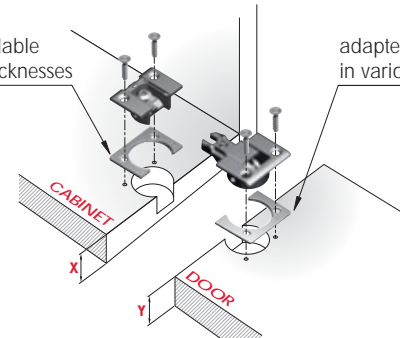


**Opening angle adjustment** is possible only with K12 SYSTEM ADJ version.

⚠ Overcrossing 90° door opening angle, it negatively effects the Kimana hinges.

Cabinet (X)		Door (Y)		L1
16 mm	4 mm	16 mm	2 mm	314
16 mm	4 mm	19 mm	-	316
18 mm	2 mm	18 mm	-	314
19 mm	-	16 mm	2 mm	310
19 mm	-	19 mm	-	312
20 mm	-	20 mm	-	312

adapter available  
in various thicknesses



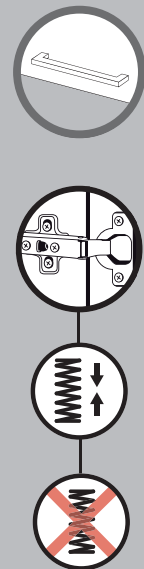
adapter available  
in various thicknesses

For Kimana and adapter details refer to section "HINGES".

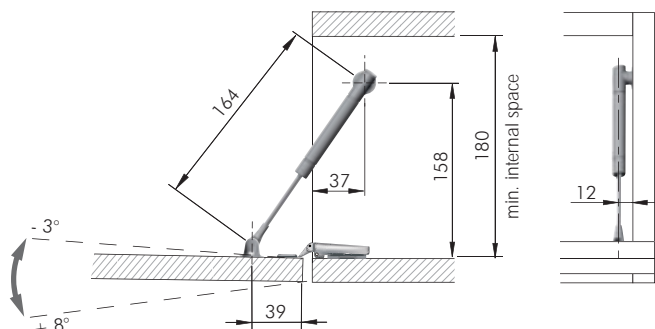
K12 SYSTEM CONFIGURATOR:



## DROP DOWN DRILLING PLANS WITH STANDARD HINGES OPENING WITH HANDLE

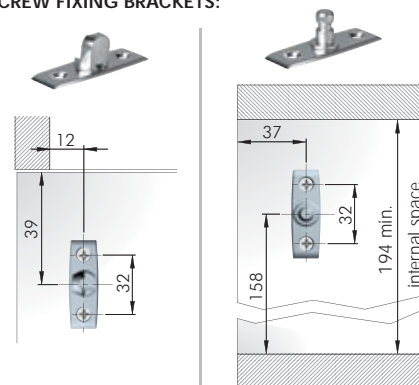


L 164 mm



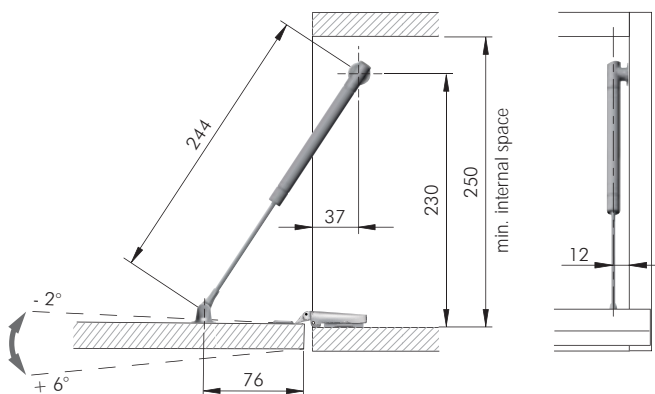
Opening angle adjustment is possible only with K12 SYSTEM ADJ version.

SCREW FIXING BRACKETS:



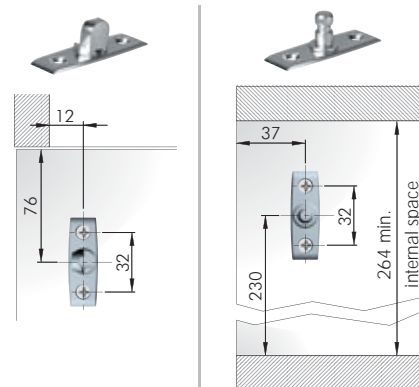
Bracket not available for K12 SYSTEM ADJ

L 244 mm



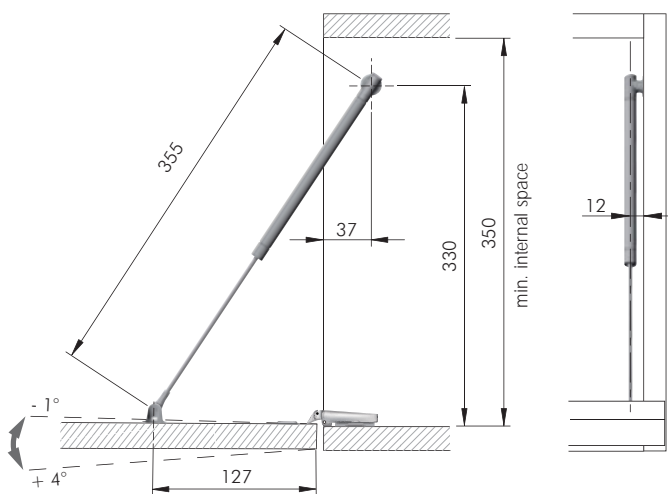
Opening angle adjustment is possible only with K12 SYSTEM ADJ version.

SCREW FIXING BRACKETS:



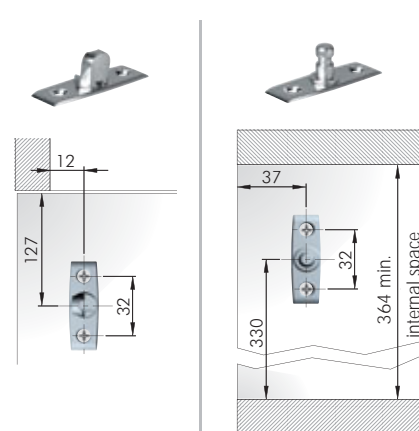
Bracket not available for K12 SYSTEM ADJ

L 355 mm



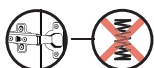
Opening angle adjustment is possible only with K12 SYSTEM ADJ version.

SCREW FIXING BRACKETS:



Bracket not available for K12 SYSTEM ADJ

The dimensions of the drilling plans refer to carcasses which use **standard sprung hinges** and mounting plates 0 mm. Please note that the opening angle varies with respect to the hinge brand and adjustment carried out.



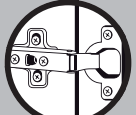
Please note that in case of use of **unsprung hinges**, **magnet K Lock** is required. For details refer to section "PUSH CATCHES & MAGNETIC CATCHES".





## DROP DOWN DRILLING PLANS WITH STANDARD HINGES PUSH TO OPEN

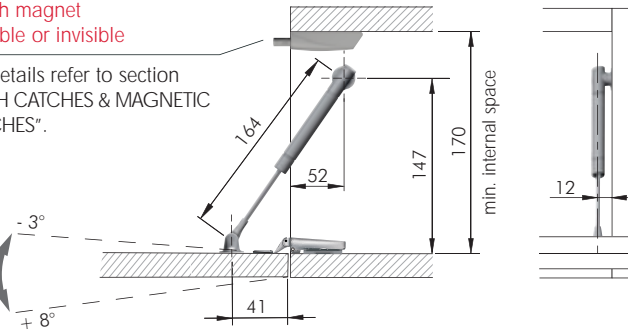
K12 SYSTEM CONFIGURATOR:



L 164 mm

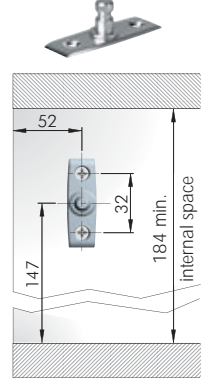
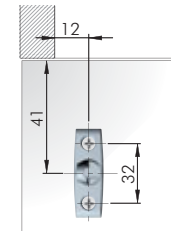
**K Push Tech 14 mm**  
- With magnet  
- Visible or invisible

For details refer to section "PUSH CATCHES & MAGNETIC CATCHES".



Opening angle adjustment is possible only with K12 SYSTEM ADJ version.

SCREW FIXING BRACKETS:

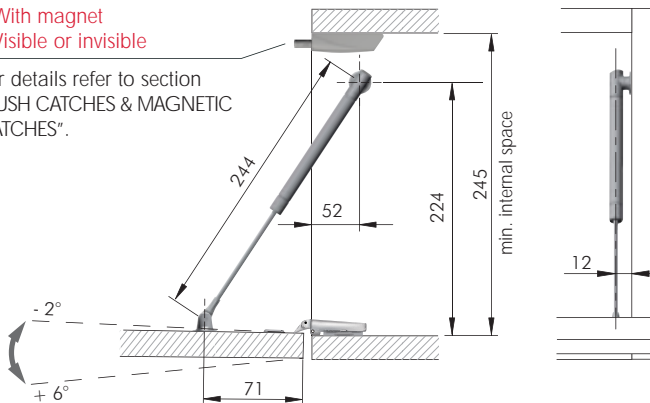


**Bracket not available for K12 SYSTEM ADJ**

L 244 mm

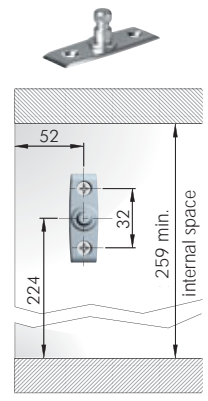
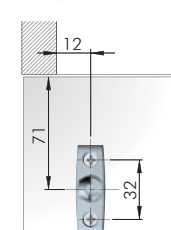
**K Push Tech 14 mm**  
- With magnet  
- Visible or invisible

For details refer to section "PUSH CATCHES & MAGNETIC CATCHES".



Opening angle adjustment is possible only with K12 SYSTEM ADJ version.

SCREW FIXING BRACKETS:

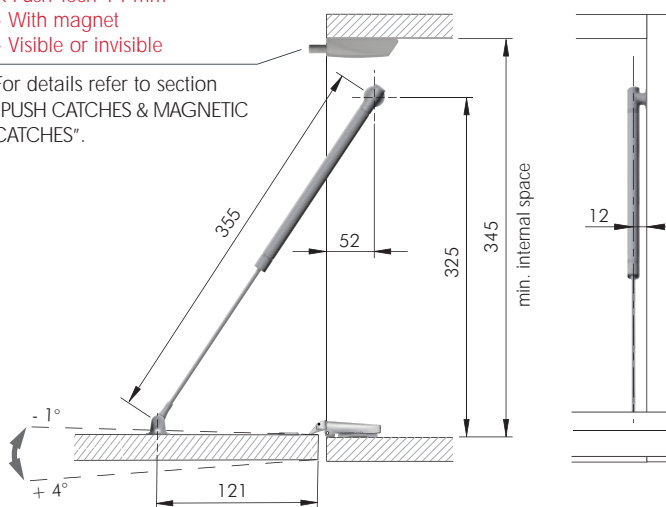


**Bracket not available for K12 SYSTEM ADJ**

L 355 mm

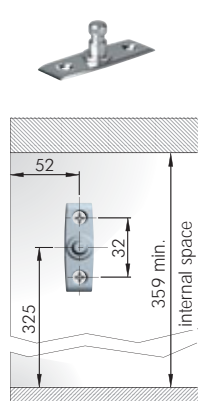
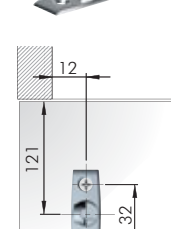
**K Push Tech 14 mm**  
- With magnet  
- Visible or invisible

For details refer to section "PUSH CATCHES & MAGNETIC CATCHES".



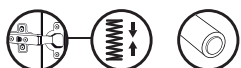
Opening angle adjustment is possible only with K12 SYSTEM ADJ version.

SCREW FIXING BRACKETS:



**Bracket not available for K12 SYSTEM ADJ**

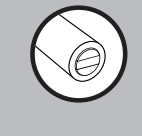
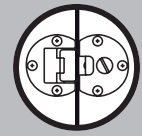
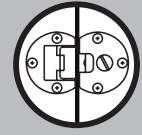
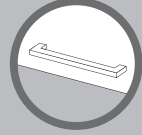
The dimensions of the drilling plan refer to carcasses which use **standard unsprung hinges** and mounting plates 0 mm. Please note that the opening angle varies with respect to the hinge brand and adjustment carried out.



Please note that utilization with **standard sprung hinges** and **K Push Tech with buffer** is also possible. In such case, after the door is initially released by K Push Tech, a manual opening approx. 7cm is required (in order to win the spring resistance). Consequently, the door will automatically open to the fullest. For details refer to section "PUSH CATCHES & MAGNETIC CATCHES".

## DROP DOWN DRILLING PLANS WITH FLAP HINGE

K12 SYSTEM CONFIGURATOR:



L 164 mm

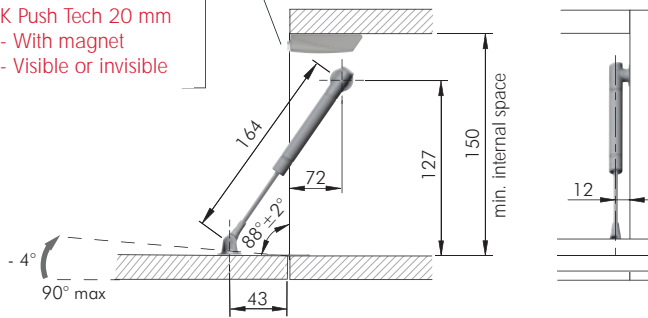


Magnet K Lock  
visible or invisible



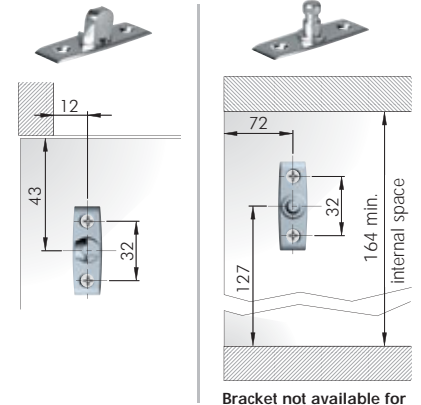
K Push Tech 20 mm  
- With magnet  
- Visible or invisible

For details refer to section "PUSH CATCHES & MAGNETIC CATCHES".



**Opening angle adjustment** is possible only with K12 SYSTEM ADJ version.  
⚠ Overcrossing 90° door opening angle, it negatively effects the flap hinges.

SCREW FIXING BRACKETS:



Bracket not available for K12 SYSTEM ADJ

L 244 mm

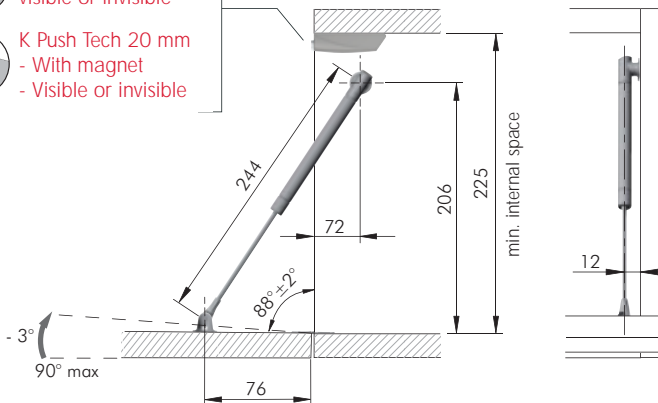


Magnet K Lock  
visible or invisible



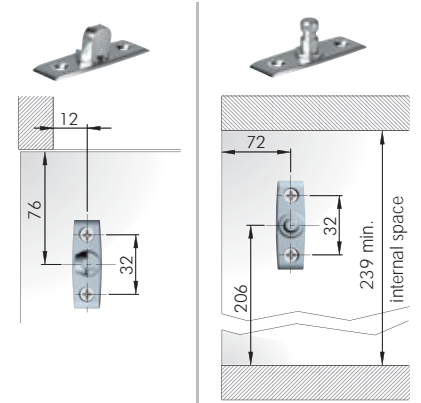
K Push Tech 20 mm  
- With magnet  
- Visible or invisible

For details refer to section "PUSH CATCHES & MAGNETIC CATCHES".



**Opening angle adjustment** is possible only with K12 SYSTEM ADJ version.  
⚠ Overcrossing 90° door opening angle, it negatively effects the flap hinges.

SCREW FIXING BRACKETS:



Bracket not available for K12 SYSTEM ADJ

L 355 mm

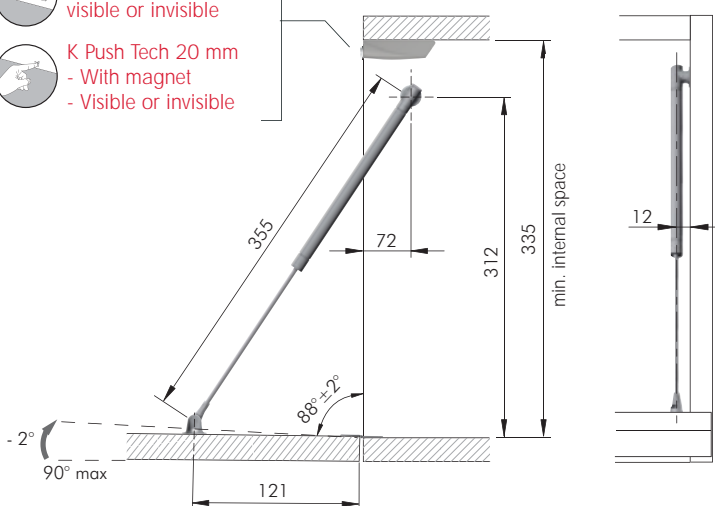


Magnet K Lock  
visible or invisible



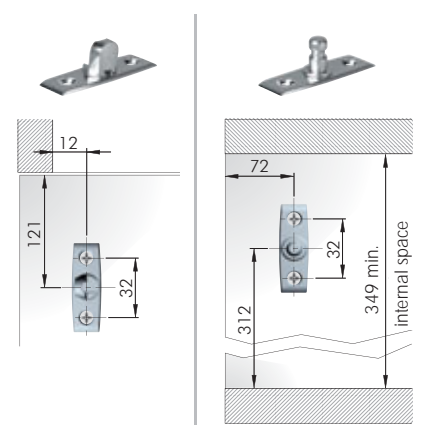
K Push Tech 20 mm  
- With magnet  
- Visible or invisible

For details refer to section "PUSH CATCHES & MAGNETIC CATCHES".



**Opening angle adjustment** is possible only with K12 SYSTEM ADJ version.  
⚠ Overcrossing 90° door opening angle, it negatively effects the flap hinges.

SCREW FIXING BRACKETS:

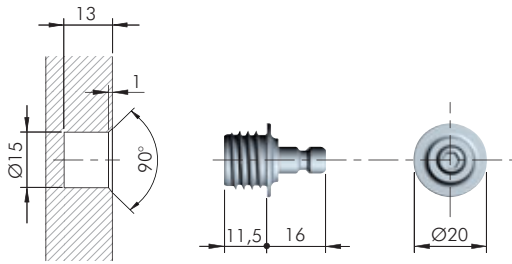






Bracket not available for K12 SYSTEM ADJ



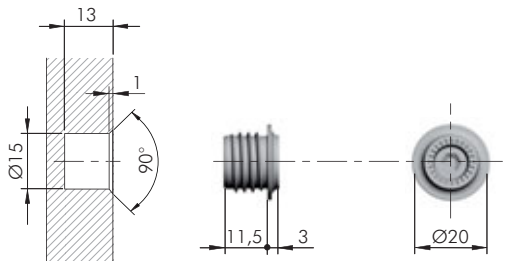
**DRILLING PLANS FOR BRACKETS**





**SIDE BRACKET Ø15 - K12 SYSTEM**



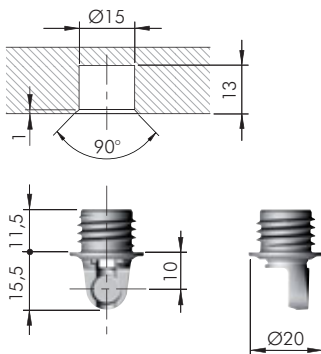
 = Ø 15 mm	 = 50 pcs.
ZA	
 123 	
<b>48040120YA</b>	
<b>48040120HX</b>	





**SIDE BRACKET Ø15 - K12 SYSTEM ADJ**



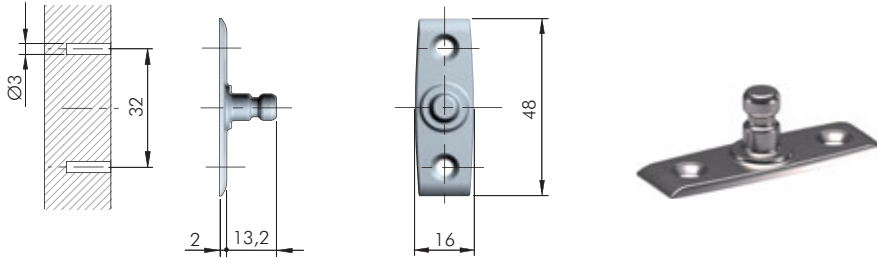
 = Ø 15 mm	 = 50 pcs.
ZA	
 123 	
<b>48240120YA</b>	

**DOOR BRACKET Ø15**



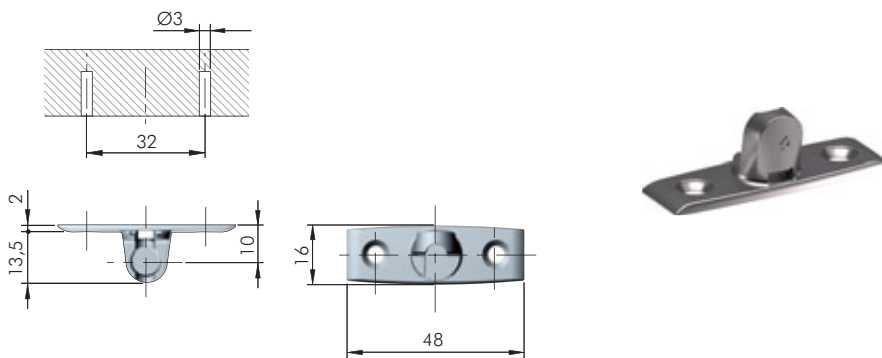
 = Ø 15 mm	 = 50 pcs.
ZA	
 123 	
<b>48040160YA</b>	
<b>48040160HX</b>	

## SCREW FIXING SIDE BRACKET (Not for K12 SYSTEM ADJ)



= Ø 3 mm	= 50 Stk.
ZA	
123	
<b>48080120YA</b>	
<b>48080120HX</b>	

## SCREW FIXING DOOR BRACKET



= Ø 3 mm	= 50 Stk.
ZA	
123	
<b>48080100YA</b>	
<b>48080100HX</b>	

## SCREW FIXING BRACKETS ACCESSORY



= Ø 3 mm	= 10.000 pcs.
= PZ2	
ST	
123	
<b>60101390YA</b>	
<b>60101390HX</b>	



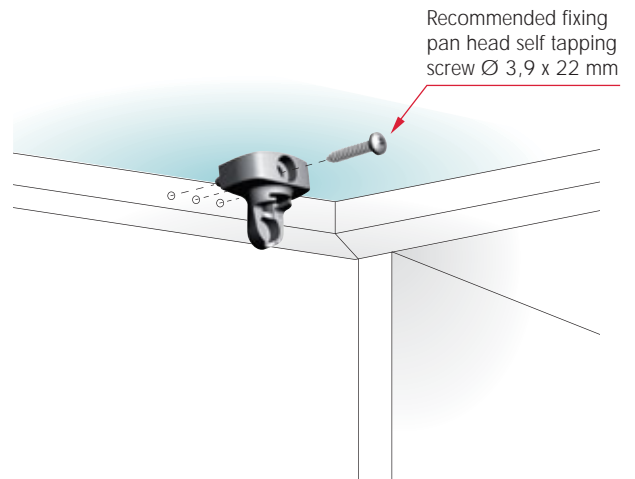
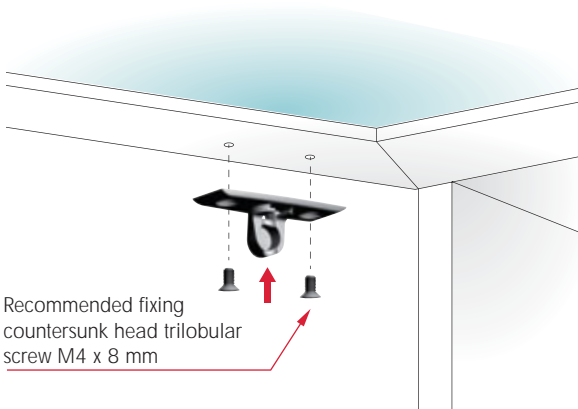
**ADAPTERS FOR ALUMINIUM FRAME DOOR**



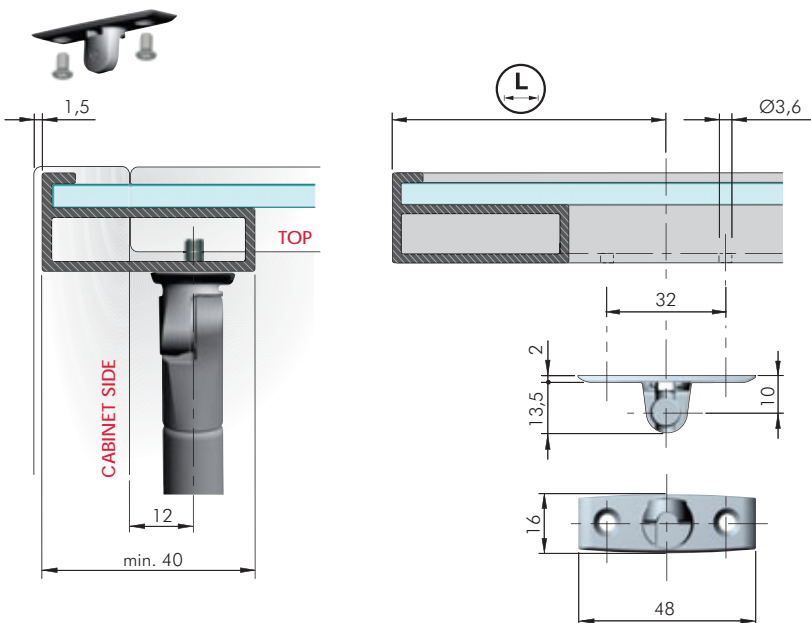
INSTALLATION ON WIDER ALUMINIUM FRAME DOOR








INSTALLATION ON NARROW ALUMINIUM FRAME DOOR

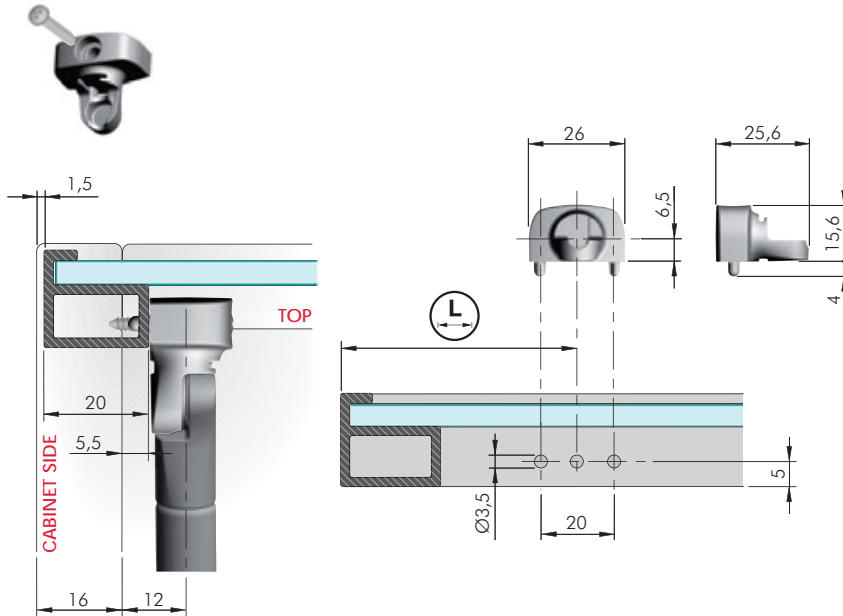


**WIDER ALUMINIUM FRAME DOOR (40 mm min.)**



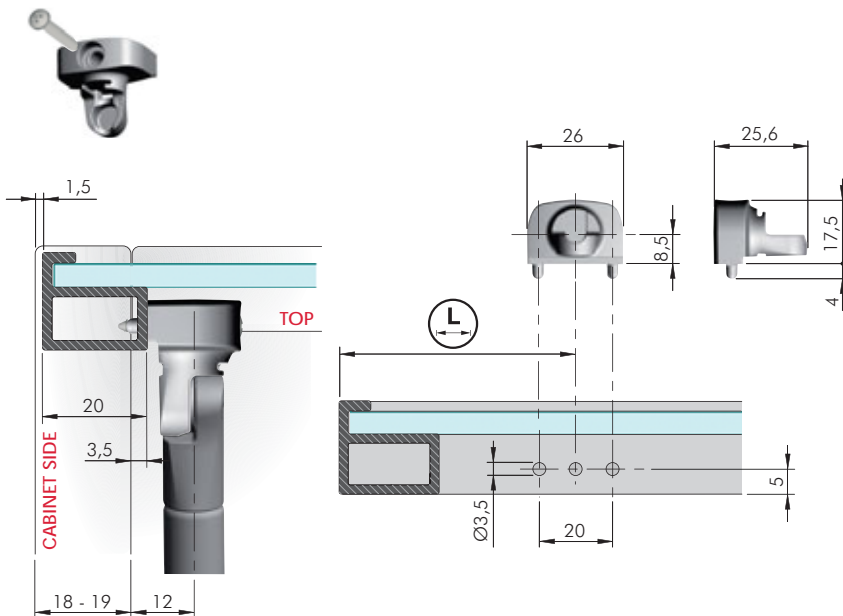
 = Ø 3,6 mm  
  = 50 Stk.  
   
**48080100YA**

NARROW ALUMINIUM FRAME DOOR (20 mm) WITH SIDE PANEL THICKNESS 16 mm

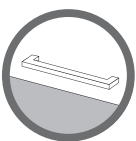


= Ø 3,5 mm  
 = on request  
 48080140YA

NARROW ALUMINIUM FRAME DOOR (20 mm) WITH SIDE PANEL THICKNESS 18 mm



= Ø 3,5 mm  
 = on request  
 48080150YA



K12 System & K12 System ADJ	
164	39
244	76
355	127



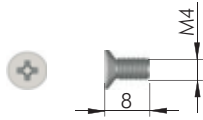
K12 System & K12 System ADJ	
164	41
244	71
355	121



K12 System & K12 System ADJ	
164	43
244	76
355	121



**ALUMINIUM ADAPTERS FIXING ACCESSORIES**



= PZ2

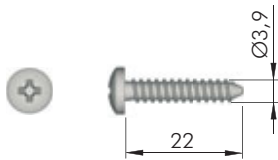
ST



= on request



42906010YA



= PZ2

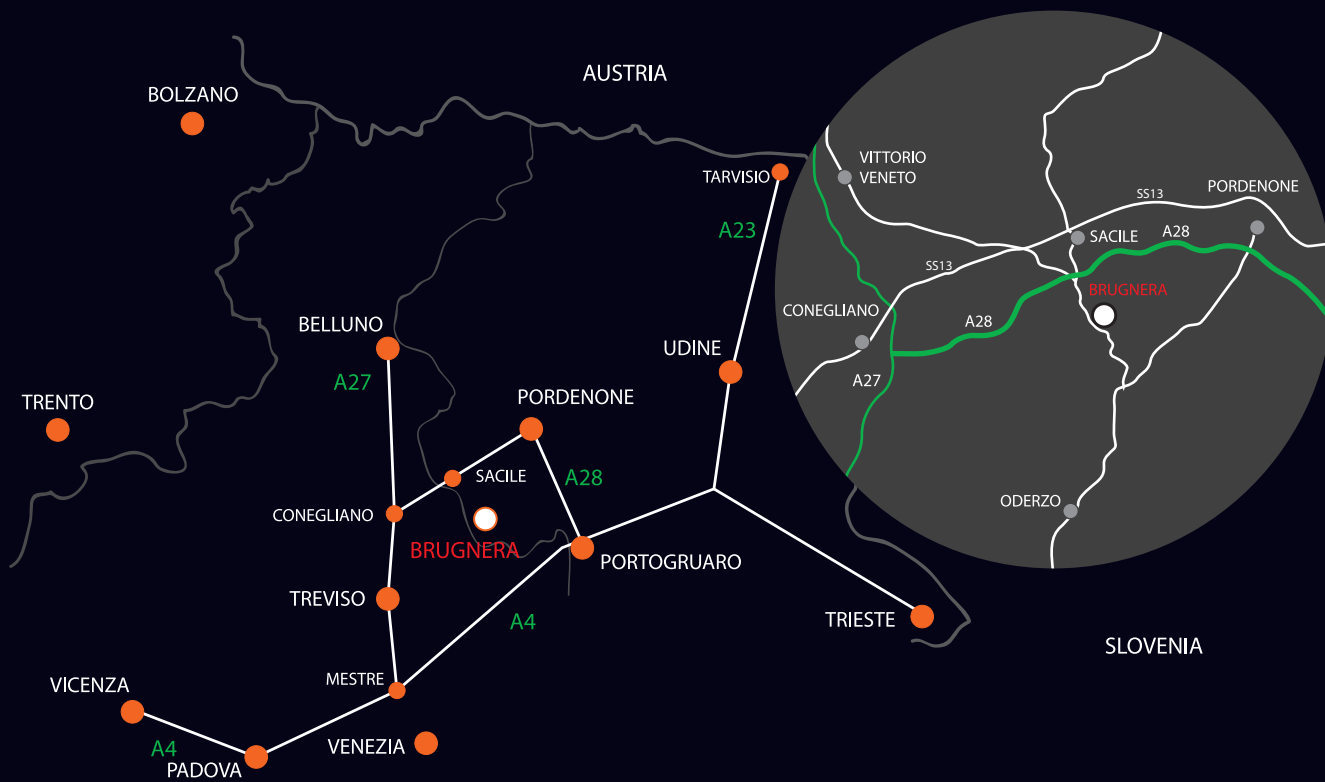
ST



= on request



60203390YA



[www.italianaferramenta.com](http://www.italianaferramenta.com)