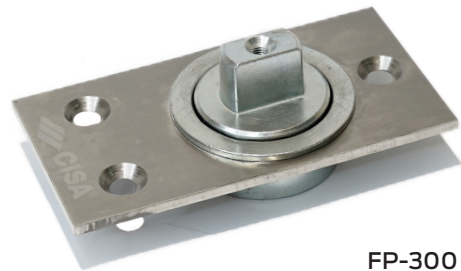




# FP-300 FP-150

ACCESSORIES -  
FLOOR PIVOT BEARING

The FP-300 and FP-150 floor pivot bearings, featuring angular contact roller bearings, are designed to work with all CISA patch fittings, single action pivots, and double action pivots. These floor pivot bearings, constructed with a stainless steel body, offer exceptional durability and can support maximum door weights of 300kg and 150kg respectively.



FP-300



FP-150

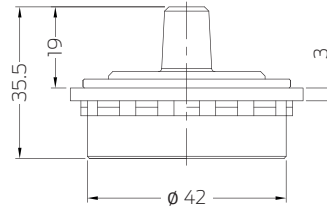
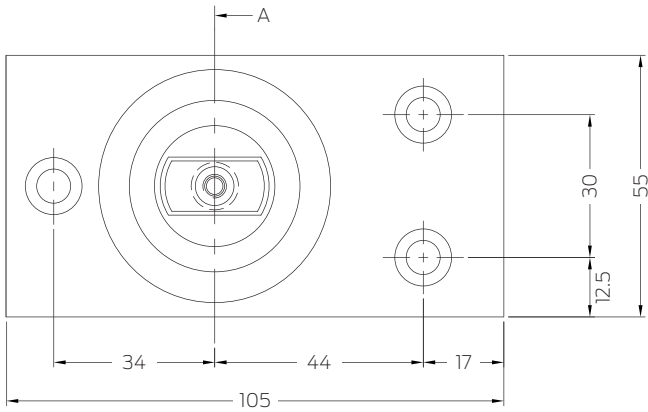
#### Warranties

Mechanical	International Warranty*
------------	-------------------------

\*Please refer to the International Warranty agreement.

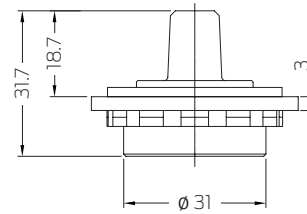
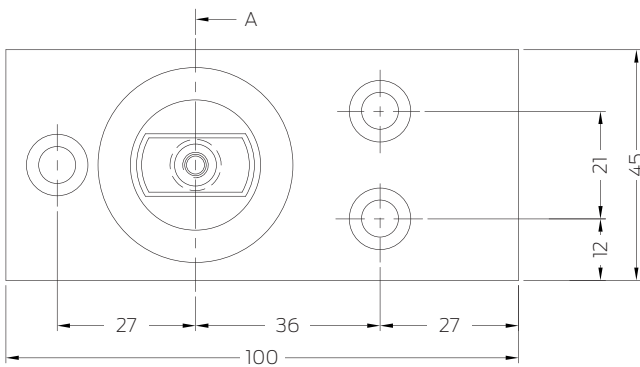
# Dimensions

## FP-300 Floor Pivot Bearing



Cross-section 'A' view

## FP-150 Floor Pivot Bearing



Cross-section 'A' view

All measurements are in mm.