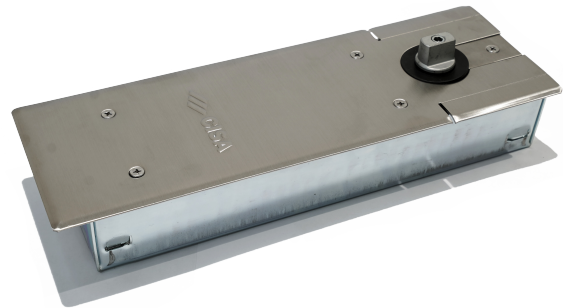




# F5500 Series

## FLOOR SPRINGS



The CISA F5500 floor springs are specifically engineered for high-traffic locations that have either single or double action doors. Their power-adjustable size range from EN 1 - 4 makes them an ideal choice for a variety of applications such as timber, metal, and tempered glass doors.

## Features

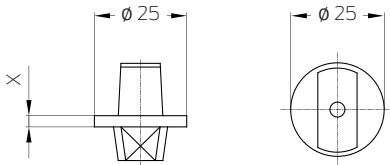
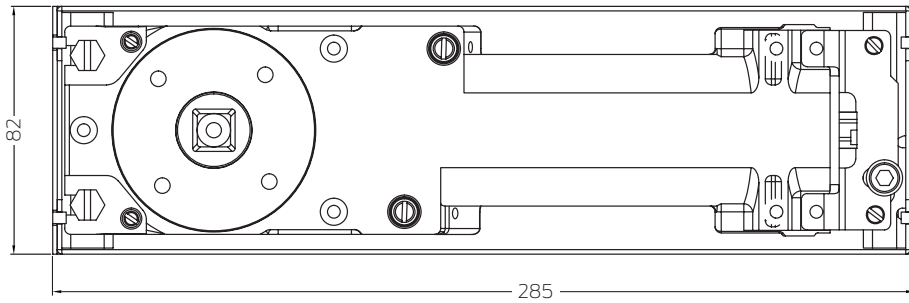
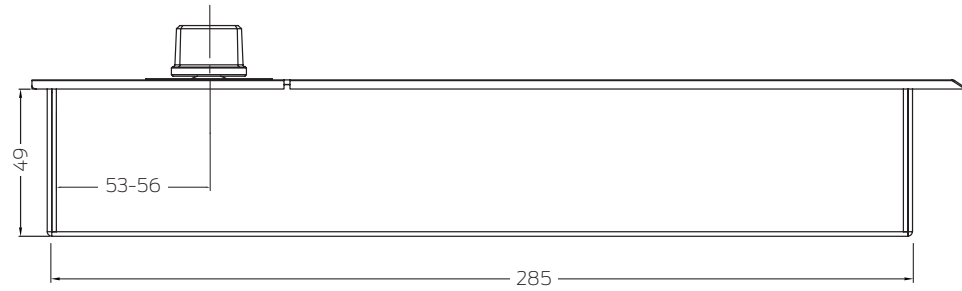
- **Exceptional quality** - Made of high-grade cast-iron body
- **Adjustable power size EN1-4** - Provides flexibility for installations requiring both barrier-free and non-barrier-free openings.
- **Durable** - Robust design handles up to 150 kg doors
- Adjustable closing and latching speed
- **Wide door opening angle** - Up to 180°
- **Optional hold** - Open at 90°
- **High efficiency mechanism** - Offers maximum user convenience
- **Wide selection of interchangeable spindles** - Fits any floor covering or threshold application.
- Complies to EN1154:1996, SS332:2018
- Tested to 500,000 cycles

### Warranties

Mechanical	International Warranty*
Electronic	International Warranty*

\*Please refer to the International Warranty agreement.

# Dimensions



## Expandable Spindle

X	3	5	10	15	20	25	30	35	40	45	50

All measurements are in mm.

# Technical specifications

Model	F5500
Closing Force acc to EN1154	EN 1 - 4
Adjustable Closing Force	Yes
Max Door Width (mm)	1100
Max Door Weight (kg)	150
Adjustable Closing Speed	170° - 15°
Adjustable Latching Speed	15° - 0°
Hold Open	Optional 90°
Max Opening Angle (Hinge Side)	180°
Back Check	Yes
Delay Action	-
Handling	Non-Handed
Dimension (mm)	285 (L) / 82 (W) / 50 (H)
Extended Spindle (mm)	3 / 5 / 10 / 15 / 20 / 25 / 30 / 35 / 40 / 45 / 50
Compliance	EN1154:1996, SS332:2018