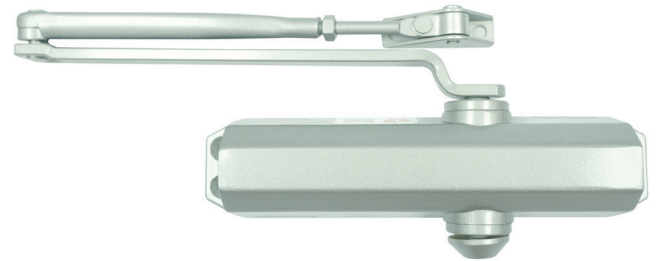


# Briton | 133 Exposed Door Closer

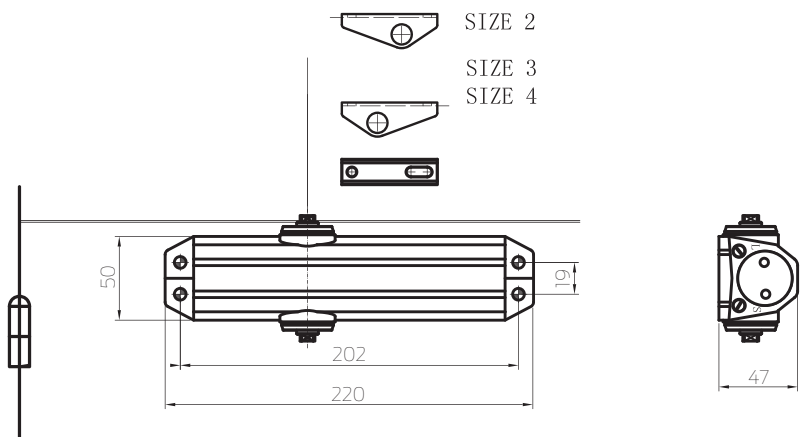
The Briton 133 is a compact overhead door closer suitable for use on door up to 950mm. It is a fixed size EN3 and 4 by positioning and tested to 500,000 cyclic. Is it suitable for location as staircase, risers, residential doors.

## Features:

- Economy closer for majority application
- Die cast aluminum body
- Fixed sized EN3/4
- Suitable up to 80 kg doors
- Adjustable closing and latching speed
- Rack and pinion
- Tested to 500,000 cyclic
- Comply to EN1154:1996, SS332:2018



## Dimensions:



Specification	Briton 133
Closing Force acc to EN1154	EN3/4
Adjustable Closing Force	No
Max Door Width	1100mm
Max Door Weight	80 kg
Adjustable Closing speed	180° - 15°
Adjustable Latching Speed	15° - 0°
Arm Type	Standard Arm
Hold Open	Yes (Optional)
Max Opening Angle (Hinge Side)	180°
Max Opening Angle (Opp Hinge Side)	160°
Max Opening Angle (Others)	-
Back Check	Yes
Delay Action	-
Handling	Non Handed
Compliance	EN1154:1996