

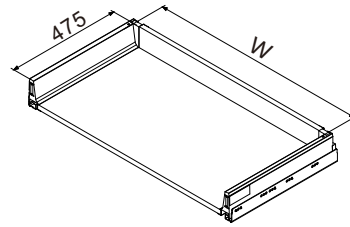
Instructions

Installation Steps and Warnings

Note: Please read carefully before installing.

1. To guarantee quality, please ensure the drawer size and the Kitchen Tray fits in properly.
2. Ensure plastic components are installed correctly and is secure in position. Otherwise it may pop out when in-use.
3. Product can be installed with drawer boxes depth of 475mm

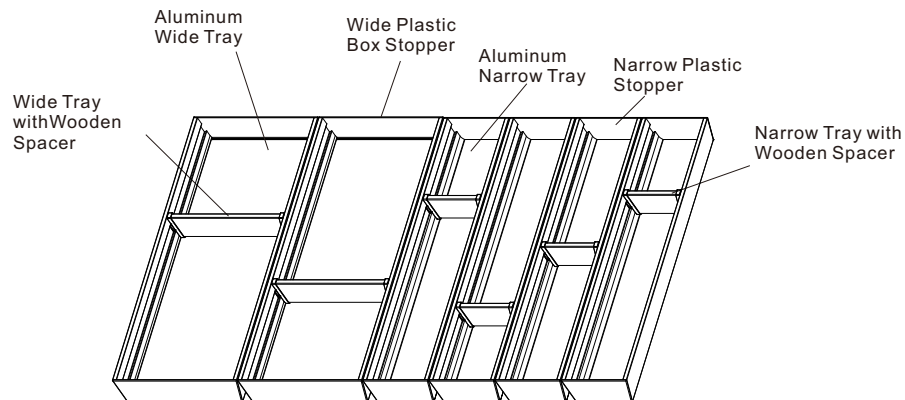
Name	configuration				
	500mm	600mm	800mm	900mm	1000mm
W	≥391	≥490	≥681	≥781	≥881



Material List

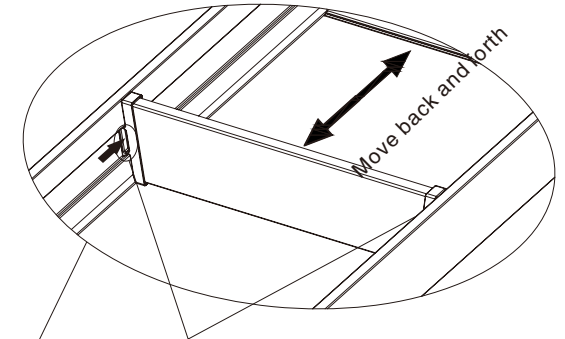
Name	configuration				
	500mm	600mm	800mm	900mm	1000mm
Wide Box Tray	1 PCS	1 PCS	2 PCS	2 PCS	2 PCS
Narrow Tray BOX	2 PCS	3 PCS	3 PCS	4 PCS	5 PCS

Component Name



Installation Method

- 1.0 Place the box into the drawer
- 1.1 After assembly of the box, place it into the drawer.
- 1.2 Wooden spacer can be adjusted.



Wooden spacer can be adjusted according to space required. Use two hands and squeeze the two plastic sides and slide across the box. Do not slide the spacer without squeezing.

