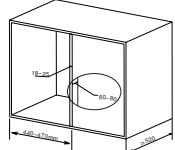


# Instruction Manual Of Corner Basket ( Left Opening )

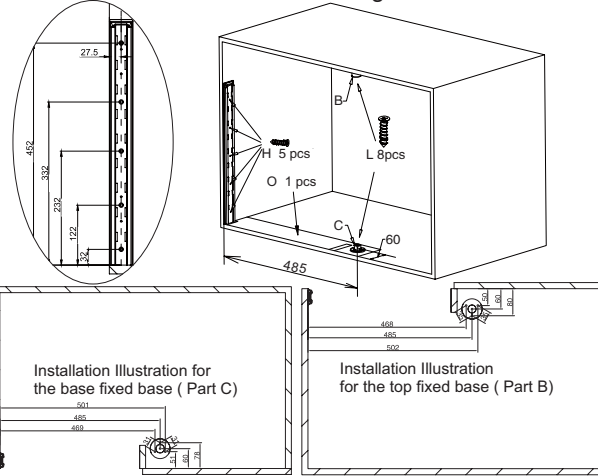
Parts List			
Drawing	Number	Part Name	QTY
	A	Swing Arm	2pcs
	B	Top fixed base	1pcs
	C	Base fixed base	1pcs
	D	Supporting Pole	1pcs
	E	Adjustable Tube	1pcs
	F	Swing corner tray ( left )	2pcs
	G	Arm with damper	2pcs
	H	ST4*20 Screw	5pcs
	I	Plastic fixing part (external)	2pcs
	J	Plastic fixing part (for arms)	2pcs
	K	Pin Support	2pcs
	L	ST4*16 Screw	8pcs
	M	Phillips pan head screws	2pcs
	N	Cabinet side fixing part	1pcs
	O	Installation Template	1pcs
	P	Snap	4pcs

- Cautions:**
1. Net width = 964-864mm , net dept ≥ 500 , net height ( 600~750mm ) , door width 440~470mm.
  2. Total weight bearing capacity is 25kgs



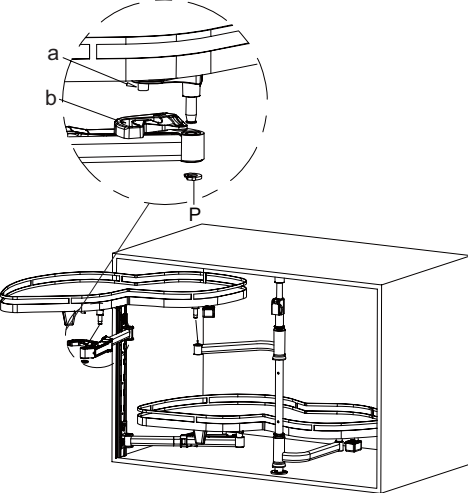
1.As per drawing , align the part N to the side edge of the cabinet, and fasten the part N with ST Screw H ;  
2.According to the dimation in the template (Part O ) , fix the installation position of part B and C , fasten the part B and C with ST Screw L ;

Remark : Screw H is a little bit longer than L .

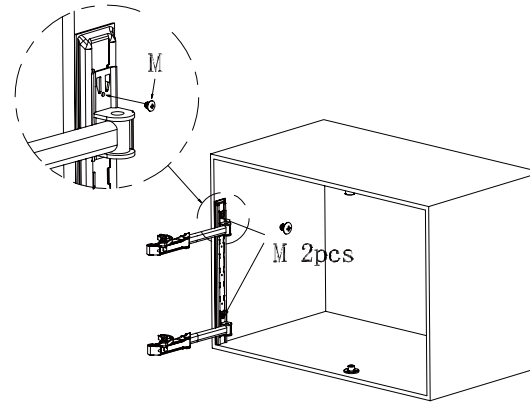


4.As per drawing , assemble the arm with damper ( Part G ) and the swing tray ( Part F ) ;

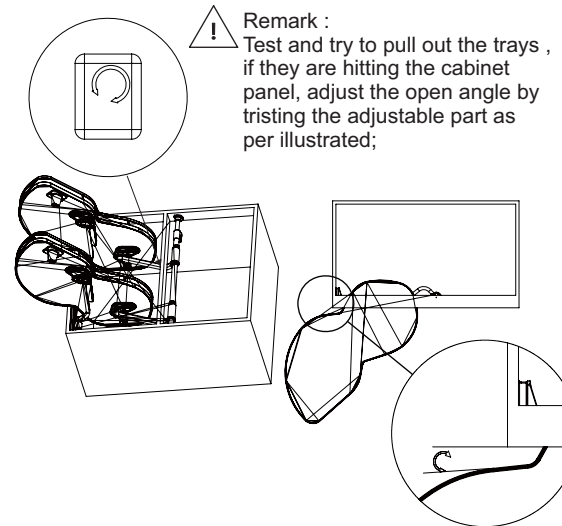
Remark : As illustrated , part a needs to click into part b



2.As per drawing , install the arms (Part G ) to the side fixing part , and fasten them with philips pan head screws

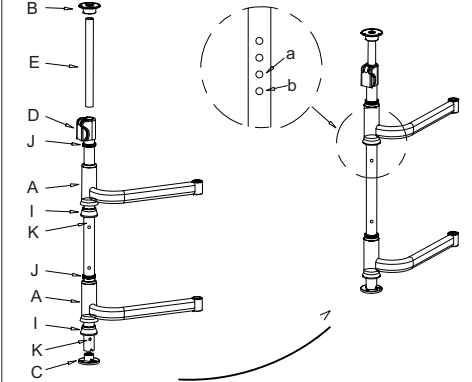


5.Adjust the pull-out gap

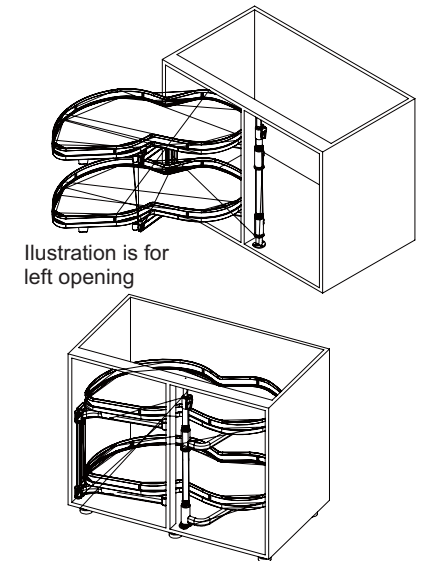


3.As per drawing , assemble the support rod set in order;  
The swing arm will be locked by the part K & J ;  
The part E will be locked by the part D ;

Remark:  
Normally the lower tray will be fixed in the lowest position , and for the upper tray , you can adjust the height flexibly;



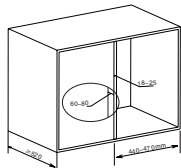
6、 Installation Complete



# Instruction Manual Of Corner Basket ( Right Opening )

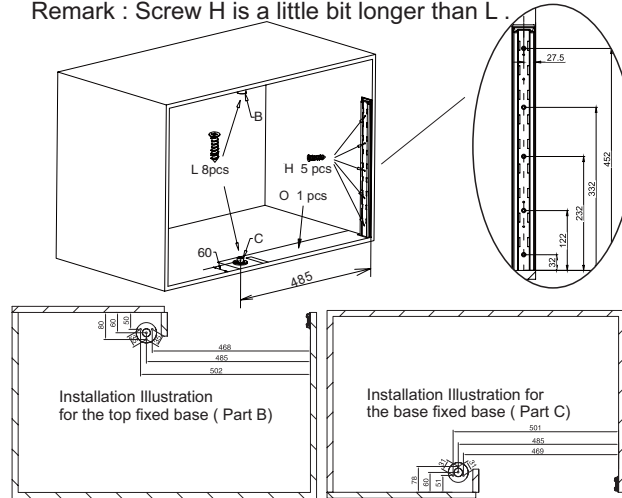
Parts List			
Drawing	Number	Part Name	QTY
	A	Swing Arm	2pcs
	B	Top fixed base	1pcs
	C	Base fixed base	1pcs
	D	Supporting Pole	1pcs
	E	Adjustable Tube	1pcs
	F	Swing corner tray ( Right )	2pcs
	G	Arm with damper	2pcs
	H	ST4*20 Screw	5pcs
	I	Plastic fixing part (external)	2pcs
	J	Plastic fixing part (for arms)	2pcs
	K	Pin Support	2pcs
	L	ST4*16 Screw	8pcs
	M	Phillips pan head screws	2pcs
	N	Cabinet side fixing part	1pcs
	O	Installation Template	1pcs
	P	Snap	4pcs

- Cautions:**
1. Net width = 964-864mm , net dept ≥ 500 , net height ( 600~750mm) , door width 440~470mm.
  2. Total weight bearing capacity is 25kgs



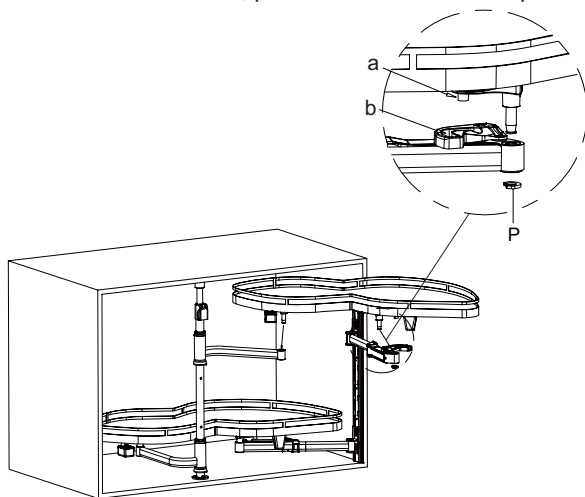
1.As per drawing , align the part N to the side edge of the cabinet, and fasten the part N with ST Screw H ;  
2.According to the dimation in the template (Part O ) , fix the installation position of part B and C , fasten the part B and C with ST Screw L ;

Remark : Screw H is a little bit longer than L .

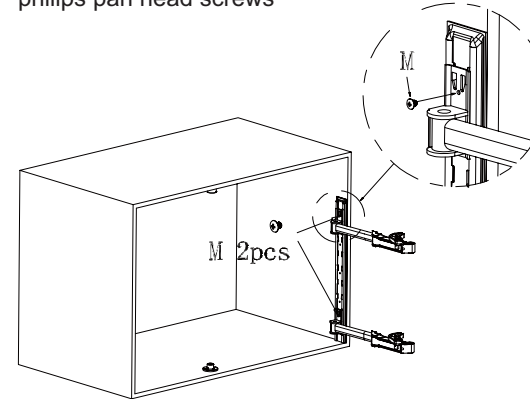


4.As per drawing , assemble the arm with damper ( Part G ) and the swing tray ( Part F ) ;

Remark : As illustrated , part a needs to click into part b

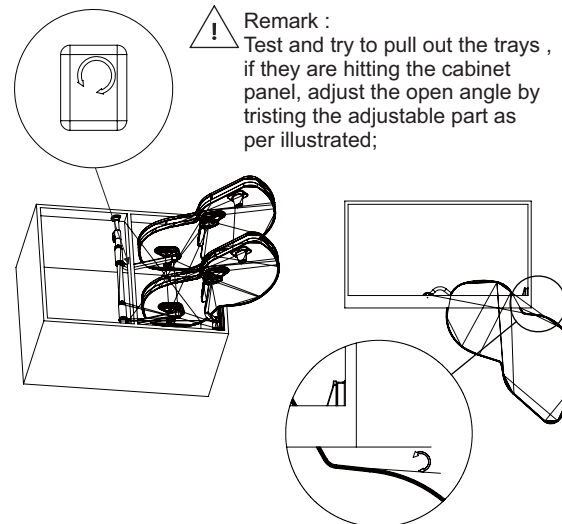


2.As per drawing , install the arms (Part G ) to the side fixing part , and fasten them with philips pan head screws



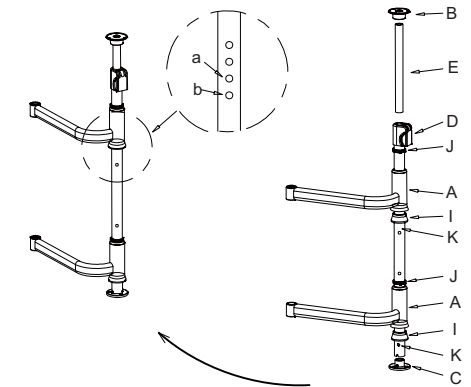
5.Adjust the pull-out gap

! Remark : Test and try to pull out the trays , if they are hitting the cabinet panel, adjust the open angle by tristing the adjustable part as per illustrated;



3.As per drawing ,assemble the support rod set in order;  
The swing arm will be locked by the part K & J ;  
The part E will be locked by the part D ;

Remark:  
Normally the lower tray will be fixed in the lowest position , and for the upper tray , you can adjust the height flexibly;



6、 Installation Complete

